

SERVICE PARTS LIST

BULLETIN NO.
55-06-0358

SPECIFY CATALOG NO. AND SERIAL NO. WHEN ORDERING PARTS		REVISED BULLETIN 55-06-0357	DATE Nov. '94
1/4" T.S.C. REV. HOLE-SHOOTER		WIRING INSTRUCTION 58-03-1380	
CATALOG NO. 0102-3	STARTING SERIAL NO. 428B		

EXAMPLE:
Component Parts (Small #)
Are Included When Ordering
The Assembly (Large #).

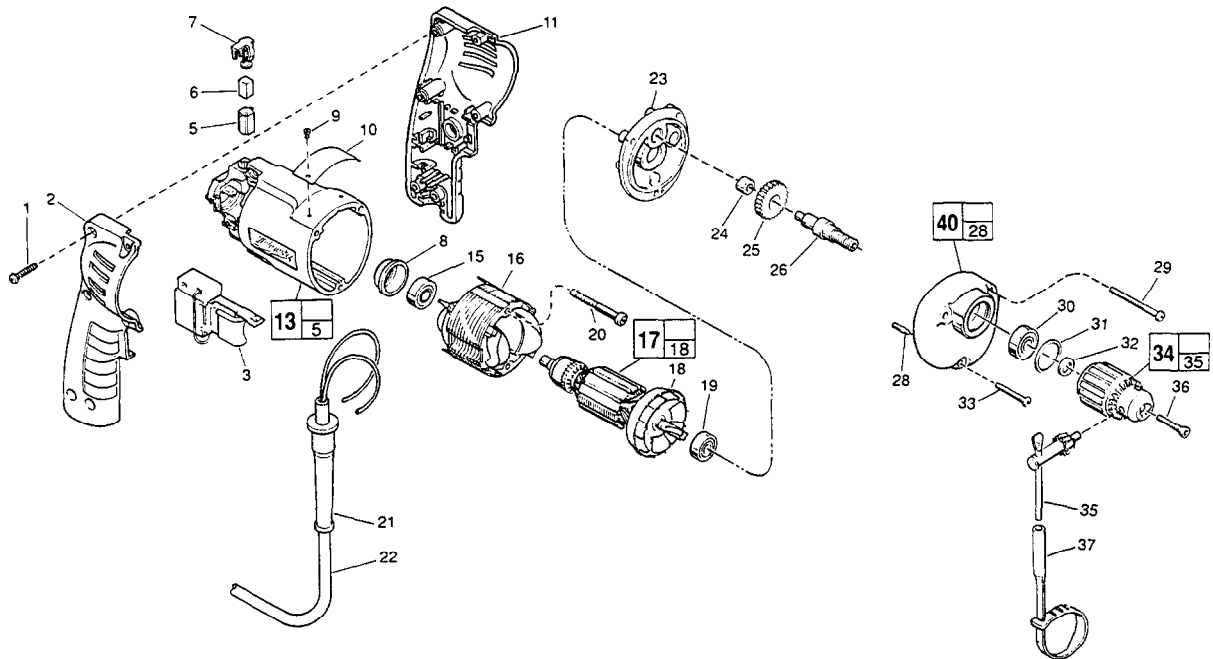


FIG.	PART NO.	DESCRIPTION OF PART	NO. REQ.
	1	06-82-7284 8-16 x 3/4" Pan Hd. Slit. Plast. T-20	(6)
	2	31-44-1745 Right Handle Half	(1)
	3	23-66-2075 Speed Control Switch	(1)
	5	22-20-0830 Brush Tube	(2)
	6	22-16-0375 Carbon Brush	(2)
	7	23-52-1570 Brush Spring Assembly	(2)
	8	22-72-0100 Bearing Cup	(1)
★	9	06-72-1720 Nameplate Rivet	(2)
	10	12-99-0570 Service Nameplate	(1)
	11	31-44-1740 Left Handle Half	(1)
★	13	14-38-0591 Motor Housing Assembly	(1)
	15	02-04-0645 Ball Bearing	(1)
	16	18-12-0160 Field	(1)
	17	16-16-0440 Armature	(1)
	18	22-84-0760 Fan Assembly	(1)
	19	02-04-0847 Ball Bearing	(1)
	20	06-82-7393 7-18 x 2" Pan Hd. Slit. Plast. T-20	(2)
	21	44-76-0210 Cord Protector	(1)
	22	22-64-4480 Cord Set	(1)
	23	28-28-1950 Diaphragm	(1)
	24	02-50-1620 Needle Bearing	(1)
	25	32-75-3260 Spindle Gear	(1)
	26	38-50-5670 Spindle	(1)
	28	06-65-0825 1/8 x 1/2" Groove Pin 5	(1)
	29	06-82-7344 7-18 x 1-1/2" Pan Hd. Slit. Plast. T-20	(2)

FIG.	PART NO.	DESCRIPTION OF PART	NO. REQ.
	30	02-04-1020 Ball Bearing	(1)
	31	34-80-1400 Retaining Ring	(1)
	32	45-88-7940 Chuck Washer	(1)
	33	06-82-7308 7-18 x 1-1/8" Pan Hd. Slit. Plast. T-20	(1)
	34	48-66-0070 3/8" Chuck	(1)
	35	48-66-3200 Chuck Key	(1)
	36	45-04-0750 Chuck Screw-L.H. Thread	(1)
	37	48-66-4080 Key Holder	(1)
★	40	14-30-0611 Gear Case Assembly	(1)

FIG. LUBRICATION
40 1-1/8 Oz. Type "E" Grease, No. 49-08-4122.
Place In Center Of Gear Case.

FIG. NOTES
1 Torque to 18-28 In./Lbs.
20, 29, 33 Torque to 15-20 In./Lbs.
36 Torque to 30-50 In./Lbs.
8 Place in motor housing before inserting armature.
24 Press flush to casting surface.
15, 19 Seal towards armature.
30 Seal towards chuck.

MILWAUKEE ELECTRIC TOOL CORPORATION
13135 W. LISBON RD., BROOKFIELD, WI 53005