



# SERVICE PARTS LIST

**BULLETIN NO.**  
**55-06-0357**

SPECIFY CATALOG NO. AND SERIAL NO. WHEN ORDERING PARTS		REVISED BULLETIN	DATE
1/4" T.S.C. REV. HOLE-SHOOTER		55-06-0356	Oct. '93
CATALOG NO. 0102-3	STARTING SERIAL NO. 428A	WIRING INSTRUCTION	
		58-03-1380	

**EXAMPLE:**  
Component Parts ( Small #)  
Are Included When Ordering  
The Assembly (Large #).

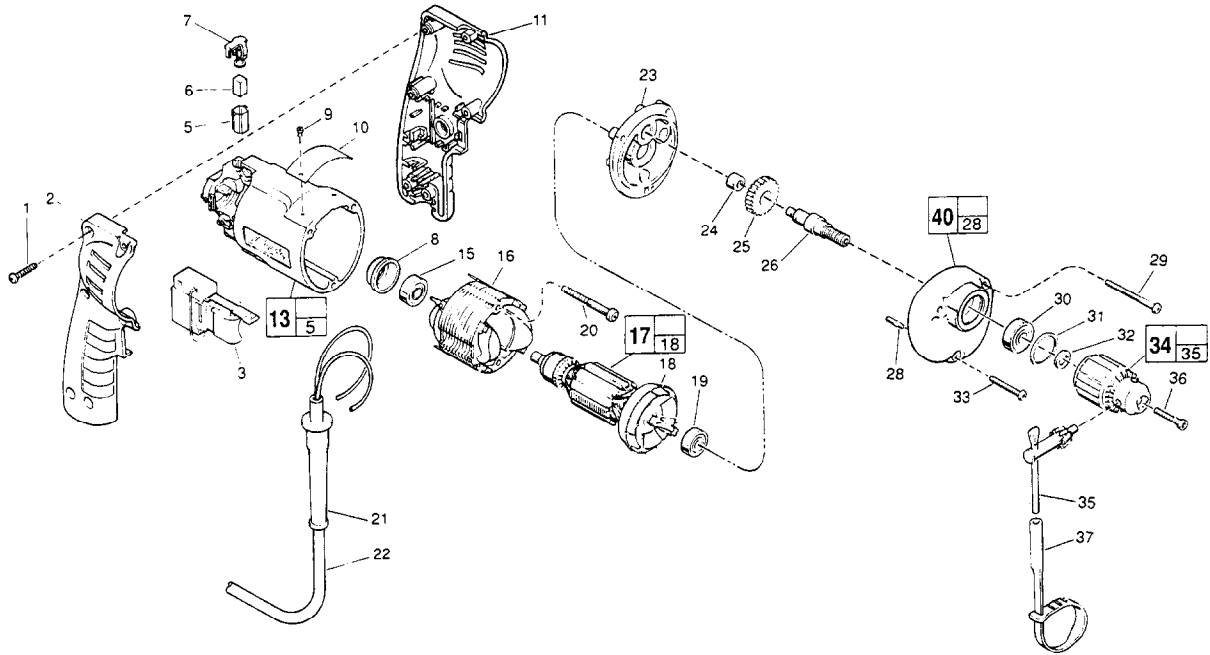


FIG.	PART NO.	DESCRIPTION OF PART	NO. REQ.
★ 1	06-82-7284	8-16 x 3/4" Pan Hd. Slit. Plast. T-20	(6)
★ 2	31-44-1745	Right Handle Half	(1)
★ 3	23-66-2075	Speed Control Switch	(1)
5	22-20-0830	Brush Tube	(2)
6	22-16-0375	Carbon Brush	(2)
★ 7	23-52-1570	Brush Spring Assembly	(2)
★ 8	22-72-0100	Bearing Cup	(1)
9	06-85-0200	Nameplate Screw	(2)
10	12-99-0570	Service Nameplate	(1)
★ 11	31-44-1740	Left Handle Half	(1)
★ 13	14-38-0590	Motor Housing Assembly	(1)
15	02-04-0645	Ball Bearing	(1)
★ 16	18-12-0160	Field	(1)
★ 17	16-16-0440	Armature	(1)
18	22-84-0760	Fan Assembly	(1)
19	02-04-0847	Ball Bearing	(1)
★ 20	06-82-7393	7-18 x 2" Pan Hd. Slit. Plast. T-20	(2)
21	44-76-0210	Cord Protector	(1)
22	22-64-4480	Cord Set	(1)
★ 23	28-28-1950	Diaphragm	(1)
24	02-50-1620	Needle Bearing	(1)
25	32-75-3260	Spindle Gear	(1)
26	38-50-5670	Spindle	(1)
28	06-65-0825	1/8 x 1/2" Groove Pin 5	(1)
29	06-82-7344	7-18 x 1-1/2" Pan Hd. Slit. Plast. T-20	(2)

FIG.	PART NO.	DESCRIPTION OF PART	NO. REQ.
30	02-04-1020	Ball Bearing	(1)
31	34-80-1400	Retaining Ring	(1)
32	45-88-7940	Chuck Washer	(1)
33	06-82-7308	7-18 x 1-1/8" Pan Hd. Slit. Plast. T-20	(1)
34	48-66-0070	3/8" Chuck	(1)
35	48-66-3200	Chuck Key	(1)
36	45-04-0750	Chuck Screw-L.H. Thread	(1)
37	48-66-4080	Key Holder	(1)
40	14-30-0610	Gear Case Assembly	(1)

**FIG. LUBRICATION**  
40 1-1/8 Oz. Type "E" Grease, No. 49-08-4122.  
Place In Center Of Gear Case.

**FIG. NOTES**  
1 Torque to 18-22 In./Lbs.  
20, 29, 33 Torque to 15-20 In./Lbs.  
36 Torque to 30-35 In./Lbs.  
8 Place in motor housing before inserting armature.  
24 Press flush to casting surface.  
15, 19 Seal towards armature.  
30 Seal towards chuck.