

SERVICE PARTS LIST

1/4" REV. SPEED CONTROL DRILL

Catalog No. 0102-1

Starting Serial No. 428-81300

Specify Catalog and Serial No. when ordering parts

BUL. 54-06-0353

REVISED BUL.
54-06-0352

DATE
FEB '78

WIRING INSTRUCTIONS
58-01-0642

0-2500 R.P.M.
3 AMPS

FOR CAT. NO. 0102-3
(240V) TOOL USE:

- 22-18-0375 CARBON BRUSH
- 18-16-0050 FIELD
- 16-16-0300 ARMATURE
- 23-66-0793 SWITCH
- 22-64-4200 CORD SET

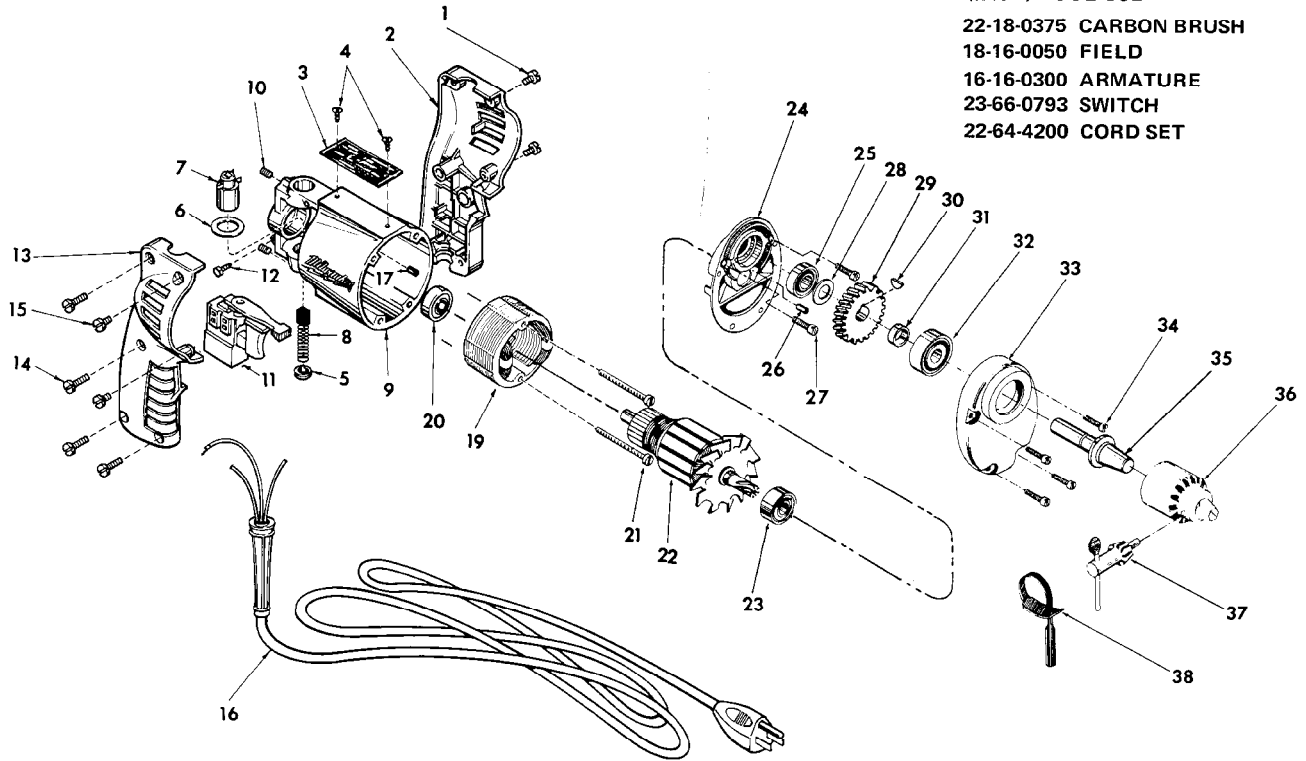


FIG.	PART NO.	DESCRIPTION OF PART	NO. REQ.	FIG.	PART NO.	DESCRIPTION OF PART	NO. REQ.
1	06-81-0452	8-32x3/8 Pan Hd. Screw	(2)	★ 21	06-81-5935	6-32x1-3/4 Fil. Hd. Field Screw	(2)
2	31-44-0620	L.H. Handle Half	(1)	★ 22	16-10-0300	Armature Assy.	(1)
3	12-99-0020	Nameplate Blank	(1)	23	02-04-0880	Ball Bearing	(1)
4	06-85-0200	6x1/4 Rd. Hd. Type Z Screw	(2)	24	28-28-0941	Diaphragm	(1)
5	23-44-0020	Brush Retaining Cap	(2)	25	02-08-0375	Ball Bearing	(1)
6	23-86-0105	Insulating Washer	(2)	26	45-30-0070	Ball Bearing Retaining Slug	(1)
7	22-22-1251	Brush Holder Assy.	(2)	27	06-81-6202	8-32x5/8 Fil. Hd. Sems	(2)
8	22-18-0155	Carbon Brush Assy.	(2)	28	45-88-0250	Washer	(1)
9	28-50-6091	Motor Housing Assy. (Incl. item 17)	(1)	29	32-75-1901	Spindle Gear	(1)
10	06-83-2430	10-32x1/4 Brush Hldr. Set Screw	(2)	30	06-42-0400	Woodruff Key	(1)
11	23-66-0792	Rev. Speed Control Switch	(1)	31	45-36-0641	Spindle Spacer	(1)
12	06-81-8625	6-32x1/4 Ground Screw	(1)	32	02-04-1040	Ball Bearing	(1)
13	31-44-0610	R.H. Handle Half	(1)	33	28-14-1331	Gear Case	(1)
14	06-81-0402	8-32x3/4 Pan Hd. Screw	(4)	34	06-81-6300	8-32x7/8 Fil. Hd. Sems	(4)
15	06-81-0452	8-32x3/8 Pan Hd. Screw	(2)	35	38-50-5031	Spindle	(1)
16	22-64-0665	Cord Set	(1)	36	48-66-0230	Chuck	(1)
17	45-30-0120	Ball Bearing Ret. Slug	(1)	37	48-66-3200	Chuck Key	(1)
★ 19	18-10-0050	Field	(1)	38	48-66-4080	Key Holder	(1)
20	02-04-0740	Ball Bearing	(1)	39	12-98-7081	Caution Plate (Not Shown)	(1)