



# SERVICE PARTS LIST

**BULLETIN NO.**  
**54-06-0356**

SPECIFY CATALOG NO. AND SERIAL NO. WHEN ORDERING PARTS		REVISED BULLETIN	DATE
<b>1/4" T.S.C. REV. HOLE-SHOOTER</b>		54-06-0355	Dec. '99
CATALOG NO. <b>0102-1</b>	STARTING SERIAL NO. <b>428-214001</b>	WIRING INSTRUCTION <b>58-01-0019</b>	

EXAMPLE:  
Component Parts (Small #)  
Are Included When Ordering  
The Assembly (Large #).

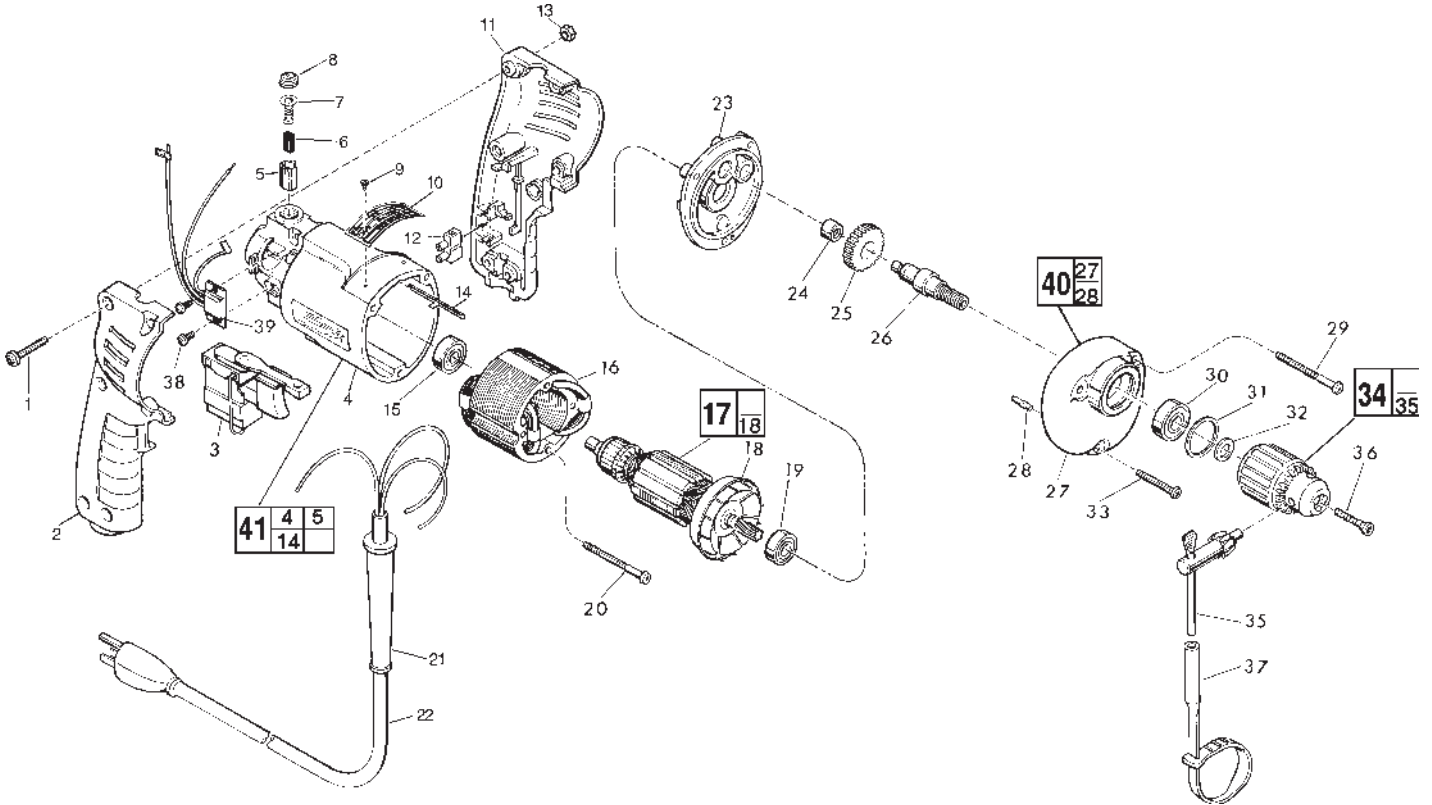


FIG.	PART NO.	DESCRIPTION OF PART	NO. REQ.
★	1	06-82-2361 8-32 x 15/16" Pan Hd. Slit. Plast. T-20	(6)
	2	31-44-1130 Right Handle Half	(1)
★	3	23-66-1655 Speed Control Switch	(1)
★	4	31-50-0346 Motor Housing	(1)
	5	22-20-0530 Brush Tube	(2)
	6	22-16-0275 Carbon Brush	(2)
	7	23-52-0210 Brush Spring Assembly	(2)
	8	23-44-0120 Brush retaining Screw	(2)
	9	06-85-0200 Nameplate Screw	(2)
	10	12-99-0420 Nameplate Blank	(1)
	11	31-44-1140 Left Handle Half	(1)
★	12	22-56-0456 Terminal Block	(1)
	13	06-55-0835 8-32 Hex Nut	(6)
	14	44-60-0530 Ground Pin	(1)
	15	02-04-0645 Ball Bearing	(1)
	16	18-10-0060 120 Volt Field	(1)
	17	16-10-0440 120 Volt Armature	(1)
	18	22-84-0760 Fan Assembly	(1)
	19	02-04-0851 Ball Bearing	(1)
★	20	06-82-7368 7-18 x 1-3/4" Pan Hd. Slit. Plast. T-20	(2)
	21	44-76-0130 Cord Protector	(1)
	22	22-64-1120 Cord Set	(1)
	23	28-28-1780 Diaphragm	(1)
	24	02-50-1620 Needle Bearing	(1)
	25	32-75-3260 Spindle Gear	(1)
	26	38-50-5670 Spindle	(1)
	27	28-14-1830 Gear Case	(1)
	28	06-65-0825 1/8 x 1/2" Groove Pin 5	(1)
★	29	06-82-7344 7-18 x 1-1/2" Pan Hd. Slit. Plast. T-20	(2)

FIG.	PART NO.	DESCRIPTION OF PART	NO. REQ.
	30	02-04-1020 Ball Bearing	(1)
	31	34-80-1400 Retaining Ring	(1)
	32	45-88-7940 Chuck Washer	(1)
★	33	06-82-7308 7-18 x 1-1/8" Pan Hd. Slit. Plast. T-20	(1)
	34	48-66-0070 1/4" Chuck	(1)
	35	48-66-3200 Chuck Key	(1)
	36	45-04-0750 Chuck Screw-L.H. Thread	(1)
	37	48-66-4080 Key Holder	(1)
★	38	06-82-7212 4-20 x 1/4" Pan Hd. Plastite T-10	(1)
★	39	14-20-0240 Remote Electronic Assembly	(1)
	40	14-30-0610 Gear Case Assembly	(1)
★	41	14-38-0375 Motor Housing assembly	(1)

**FIG. LUBRICATION**  
27 1-1/8 Oz. Type "E" Grease, No. 49-08-4122.  
Place In Center Of Gear Case.

**FIG. NOTES**  
1 Torque to 18-28 In./Lbs.  
20, 29, 33 Torque to 15-20 In./Lbs.  
36 Torque to 30-50 In./Lbs.  
38 Torque to 3-5 In./Lbs.  
24 Press flush to casting surface.  
15, 19 Seal towards armature.  
30 Seal towards chuck.