



SERVICE PARTS LIST

BUL. 54-06-0203

1/4" PISTOL DRILL

REVISED BUL
54-06-0203

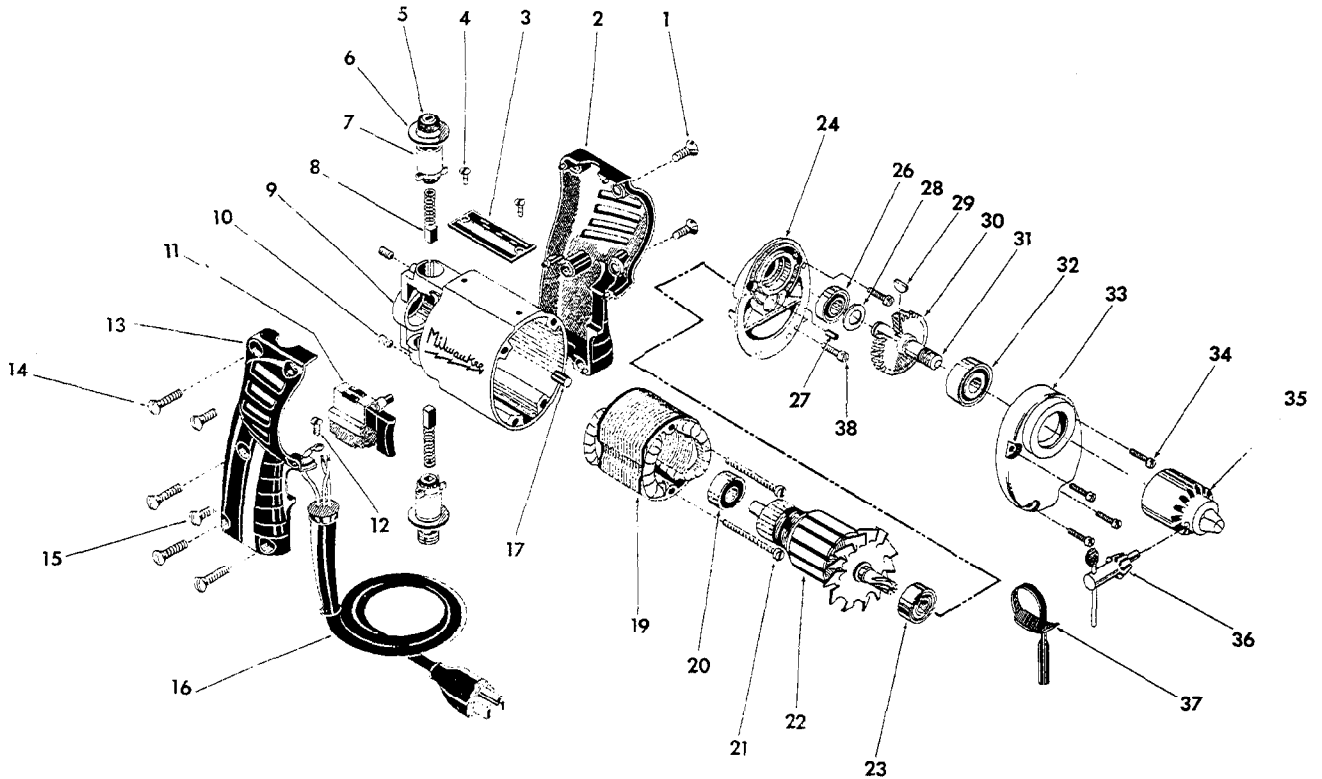
DATE
March '70

Catalog No. 0101

Starting
Serial No. 376-7156

WIRING INSTR.
58-01-0030

Both Model and Serial No. must be furnished to obtain correct parts.



ILLUSTRATED PARTS

FIG.	PART NO.	DESCRIPTION OF PART	NO. REQ.	FIG.	PART NO.	DESCRIPTION OF PART	NO. REQ.
1	06-81-0450	8-32x3/8 Pan Hd. Handle Mtg. Scr.	(2)	20	02-04-0740	Ball Bearing	
2	31-44-0211	L.H. Handle Half		21	06-81-5950	6-32x1-7/8 Fil. Hd. Field Scr.	(2)
3	12-98-0600	Name Plate		22	16-22-1270	Armature Assy.	
★ 4	06-77-0625	4X1/4 Drive-in Screw	(2)	23	02-04-0880	Ball Bearing	
5	23-44-0020	Brush Retaining Cap	(2)	24	28-28-0941	Diaphragm	
6	23-86-0070	Insulating Washer	(2)	26	02-08-0375	Ball Bearing	
7	22-22-0251	Brush Holder Assy. (inc. fig. 6)	(2)	27	45-30-0070	Ball Bearing Ret. Slug	
8	22-18-0360	Carbon Brush Assy.	(2)	28	45-88-0250	Washer	
9	28-50-6091	Motor Housing Assy. (Incl. Item 17)		29	06-42-0400	Woodruff Key	
★ 10	06-83-2430	10-2x1/4 Hd. less Brush Holder Scr.	(2)	30	32-75-1901	Spindle Gear	
★ 11	23-66-0510	Switch		31	38-50-5021	Spindle	
12	06-81-8625	6-32x1/4 (Brass) Rd. Hd. Ground Scr.		32	02-04-1040	Ball Bearing	
13	31-44-0700	R.H. Handle Half		33	28-14-1331	Gear Case	
14	06-81-0400	8-32x3/4 Pan Hd. Handle Mtg. Scr.	(4)	34	06-81-6300	8-32x7/8 Fil. Hd. Gear Case Scr.	(4)
15	06-81-0450	8-32x3/8 Pan Hd. Handle Mtg. Scr.	(2)	35	48-66-0260	Chuck	
16	22-64-0450	Cord Set					
17	45-30-0120	Ball Bearing Ret. Slug		36	48-66-3200	Chuck Key	
19	18-22-1030	Field Assy.		37	48-66-4080	Key Holder	
				38	06-81-6150	8-32x1/2 Fil. Hd. Diaphragm Scr.	(2)