



SERVICE PARTS LIST

1/4" PISTOL DRILL

Catalog No. **0101**

Starting Serial No. **376-33402**

Specify Catalog and Serial No. when ordering parts

BUL. 54-06-0205

REVISED BUL. 54-06-0204 DATE May '76

WIRING INSTRUCTIONS **58-01-0646**

2500 RPM

FOR 230V TOOL USE:
 22-18-0375 CARBON BRUSH
 18-26-1165 FIELD
 16-26-1285 ARMATURE
 22-64-4200 CORD SET

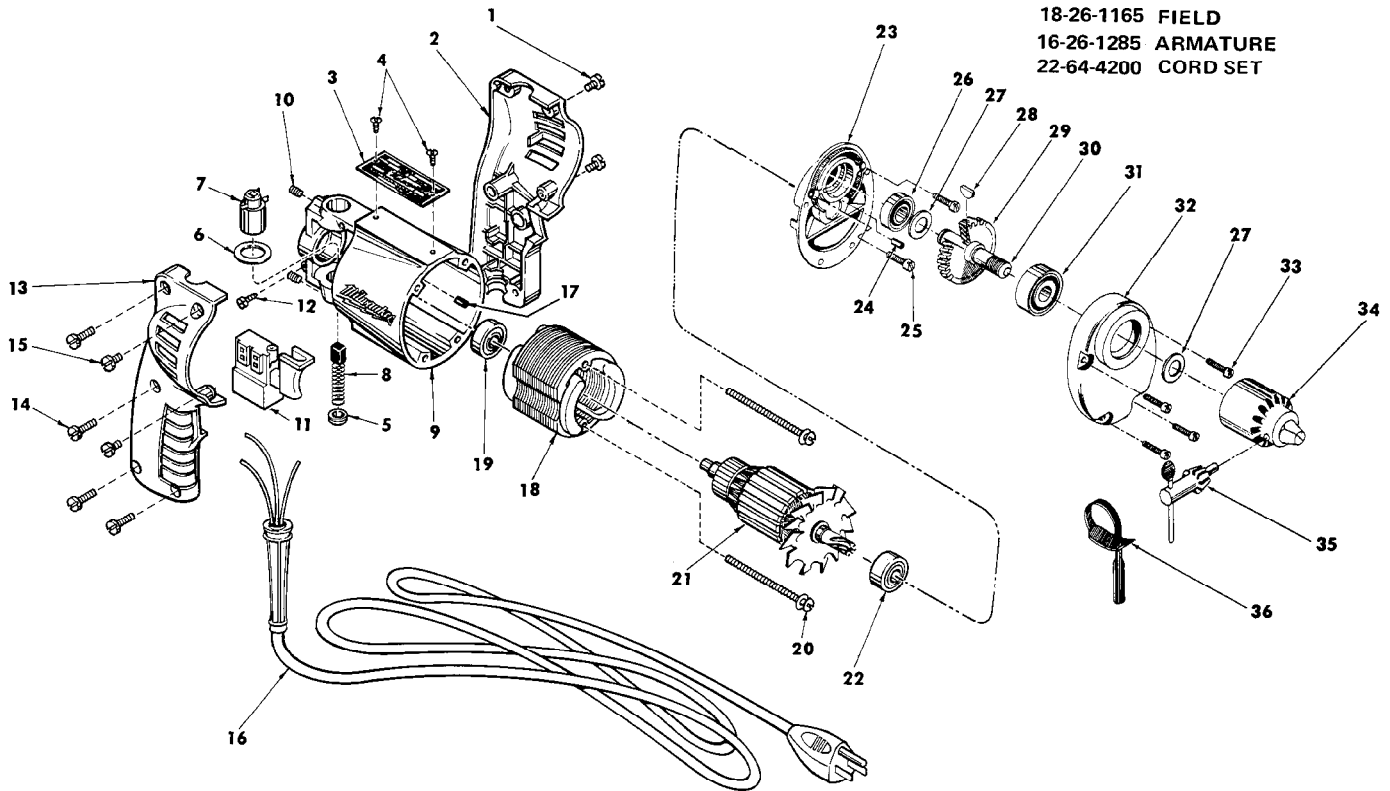


FIG.	PART NO.	DESCRIPTION OF PART	NO. REQ.	FIG.	PART NO.	DESCRIPTION OF PART	NO. REQ.
	1	06-81-0450 8-32x3/8 Pan Hd. Screw	(2)		20	06-81-5950 6-32x1-7/8 Fil. Hd. Screw	(2)
★	2	31-44-0290 L.H. Handle Half	(1)	★	21	16-22-1280 Armature Assy.	(1)
	3	12-99-0020 Nameplate Blank	(1)		22	02-04-0880 Ball Bearing	(1)
	4	06-85-0200 Nameplate Screw	(2)		23	28-28-0941 Diaphragm	(1)
	5	23-44-0020 Brush Retaining Cap	(2)		24	45-30-0070 Ball Bearing Ret. Slug	(1)
	6	23-86-0105 Insulating Washer	(2)		25	06-81-6200 8-32x5/8 Fil. Hd. Screw	(2)
	7	22-22-0251 Brush Holder Assy.	(2)		26	02-08-0375 Ball Bearing	(1)
★	8	22-18-0155 Carbon Brush Assy.	(2)		27	45-88-0250 Washer	(2)
	9	28-50-6091 Motor Housing (Incl. Fig. No. 17)	(1)		28	06-42-0400 Woodruff Key	(1)
	10	06-83-2430 10-32x1/4 Soc. Hd. Set Screw	(2)		29	32-75-1901 Spindle Gear	(1)
★	11	23-66-0515 Switch	(1)		30	38-50-5021 Spindle	(1)
	12	06-81-8625 Ground Screw	(1)		31	02-04-1040 Ball Bearing	(1)
★	13	31-44-0280 R.H. Handle Half	(1)		32	28-14-1331 Gear Case Assy.	(1)
	14	06-81-0400 8-32x3/4 Pan Hd. Screw	(4)		33	06-81-6300 8-32x7/8 Fil. Hd. screw	(4)
	15	06-81-0450 8-32x3/8 Pan Hd. Screw	(2)		34	48-66-0260 Chuck	(1)
★	16	22-64-0665 Cord Set	(1)		35	48-66-3200 Chuck Key	(1)
	17	45-30-0120 Ball Bearing Ret. Slug	(1)		36	48-66-4080 Key Holder	(1)
★	18	18-22-1121 Field	(1)	★	37	12-98-7081 Caution Plate (Not Shown)	(1)
	19	02-04-0740 Ball Bearing	(1)				