



# SERVICE PARTS LIST

BUL. 54-06-0105

1/4" PISTOL DRILL

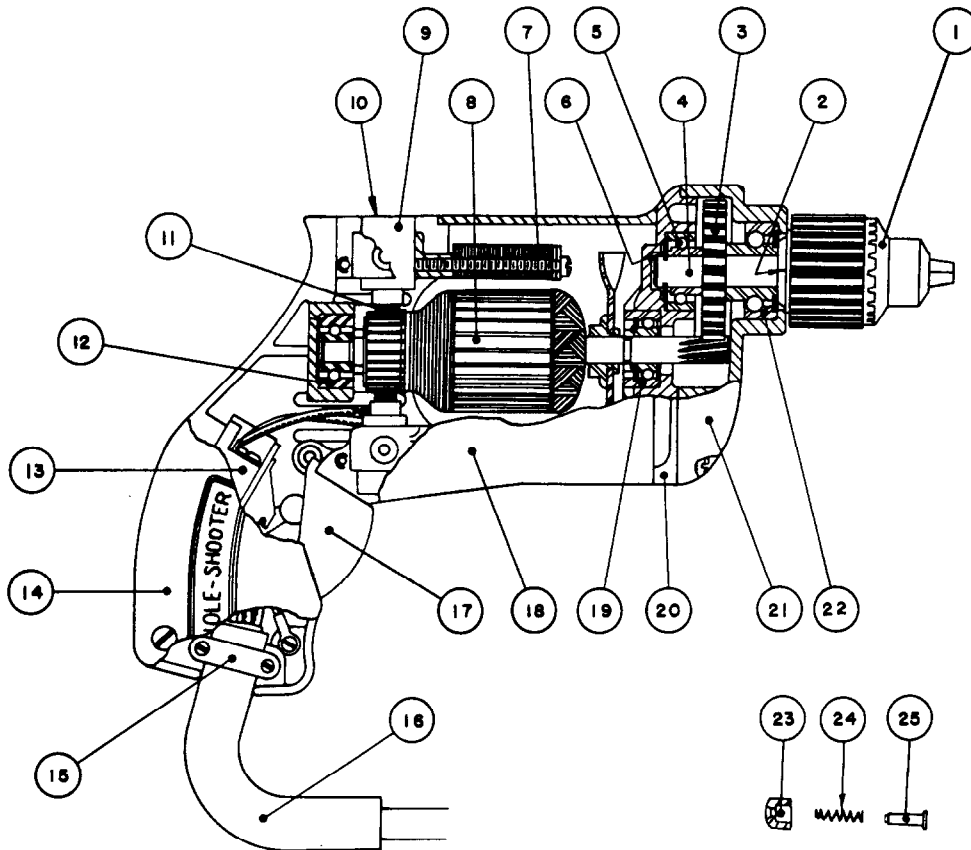
REVISED BUL 672-6 DATE FEB. '68

Catalog No. 0100

Starting Serial No. 72-95752

WIRING INSTR.

Both Model and Serial No. must be furnished to obtain correct parts.



CORRECTS AND SUPERSEDES SERVICE BULLETIN 672-6 DATED 11/4/66

### ILLUSTRATED PARTS

FIG.	PART NO.	DESCRIPTION OF PART	NO.REQ.	FIG.	PART NO.	DESCRIPTION OF PART	NO.REQ.
1	48-66-0260	Chuck (3/8 - 24)		14	28-20-3002	Handle Cover	
2	45-88-0250	Chuck Washer		15	28-17-0400	Cord Clamp	
3	32-75-1901	Spindle Gear		16	22-64-0210	Cord Set	
4	38-50-3451	Spindle		17	31-92-0101	Switch Trigger	
5	02-08-0375	Spindle Ball Brg. (Rear)		*18	28-50-4447	Motor Housing	
6	34-60-0700	Spindle Retaining Ring		19		See Item 12	
7	18-22-1030	Field Assembly		20	28-28-0941	Diaphragm	
8	16-22-1150	Armature Assembly		21	28-14-1001	Gear Case	
9	22-22-0050	Brush Holder Assembly		22	02-40-1000	Spindle Ball Brg. (Front)	
10	23-44-0020	Brush Retaining Caps	(2)	23	42-42-0061	Trigger Lock Button	
*11	22-18-0090	Carbon Brush Assembly	(2)	24	40-50-1200	Trigger Lock Spring	
*12	02-04-0740	Ball Brg. (Front and Rear)	(2)	25	44-70-0071	Trigger Lock Plunger	
*13	23-66-0280	Switch					

### MISCELLANEOUS PARTS NOT SHOWN

PART NO.	DESCRIPTION OF PART	NO.REQ.	PART NO.	DESCRIPTION OF PART	NO.REQ.
06-42-0400	Woodruff Key (Spindle)		06-81-6300	8-32x7/8" Fil.Hd.Sems Gear Case Screws	(4)
06-81-5800	6-32x5/16" Fil.Hd.Sem Switch Mtg. Scr.	(2)	06-81-4300	3-48x3/16" Rd. Hd. Name Plate Screws	(2)
06-83-0100	10-32x1/4" Hd'less Slotted Brush Holder Sr.	(2)	12-98-0600	Name Plate	
06-81-6150	8-32x1/2" Fil.Hd.Sems Handle Cover Scr.	(3)	48-66-3200	Chuck Key	
06-81-6150	8-32x1/2" Fil.Hd.Sems Cord Clamp Screws	(2)	06-81-5950	6-32x1-7/8" Fil.Hd.Sems Field Screws	(2)
06-81-8625	6-32x1/4" Rd.Hd. Sems Ground Screws (Brass)		48-03-0010	Attachment Plug Adaptor	
45-30-0060	Body Ball Bearing Ret. Slug		45-88-0250	Washer	
23-16-0265	Switch Insulator		45-30-0070	Ball Bearing Ret. Slug	
06-81-6150	8-32x1/2" Fil.Hd. Sems Diaphragm Screws	(2)			