



SERVICE PARTS LIST

BUL. 54-06-0103

1/4" PISTOL DRILL

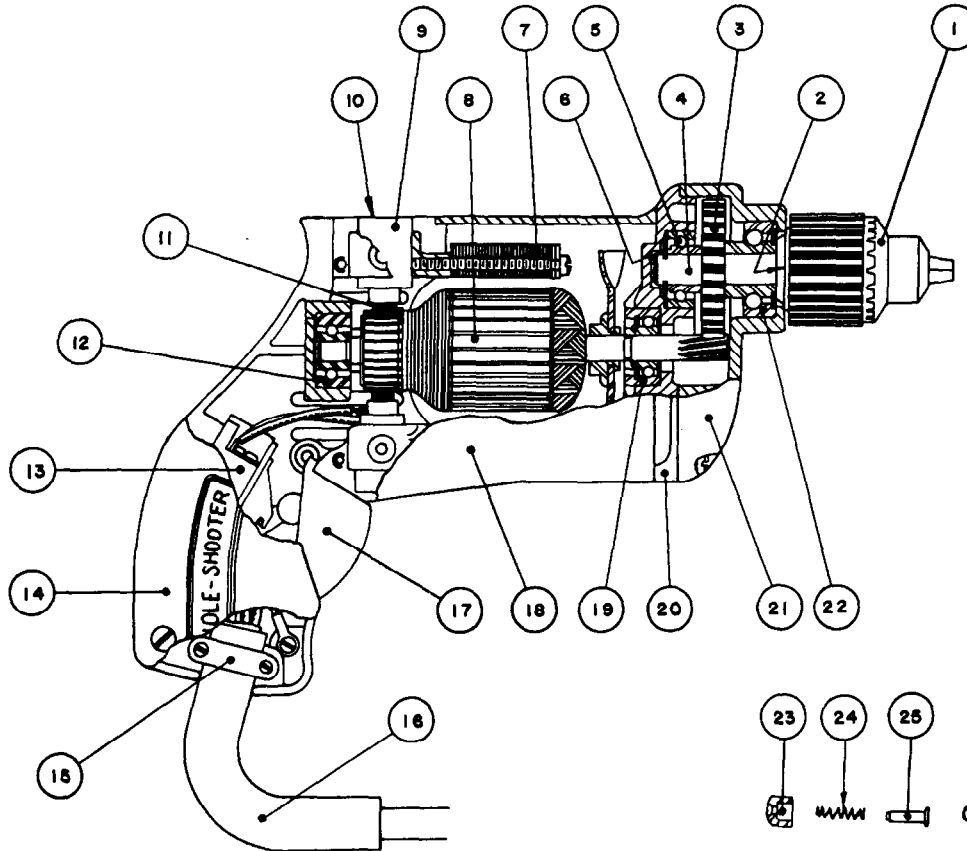
REVISED BUL 672-4 DATE FEB. '68

Catalog No. 0100

Starting Serial No. 72-43255

WIRING INSTR.

Both Model and Serial No. must be furnished to obtain correct parts.



CORRECTS AND SUPERCEDES SERVICE BULLETIN 672-4 DATED 10-15-58

FIG.	PART NO.	DESCRIPTION OF PART
1	48-66-0260	Chuck (3/8-24)
2	45-88-0250	Chuck Washer
3	32-75-1901	Spindle Gear
4	38-50-3451	Spindle
5	02-08-0375	Spindle Ball Brg. (Rear)
6	34-60-0700	Spindle Retaining Ring
7	18-22-1030	Field Assembly
8	16-22-1150	Armature Assembly
9	22-22-0050	Brush Holder Assembly
10	23-44-0020	Brush Retaining Caps
11	22-18-0090	Carbon Brush Assembly
12	02-04-0735	Ball Brg. (Front & Rear)
13	23-66-0210	Switch

ILLUSTRATED PARTS

FIG.	PART NO.	DESCRIPTION OF PART
14	28-20-3001	Handle Cover
15	28-17-0400	Cord Clamp
16	22-64-0210	Cord Set
17	28-92-0101	Switch Trigger
(1) 18	28-50-4445	Motor Housing
19		See Item 12
20	28-28-0941	Diaphragm
21	28-14-1001	Gear Case
22	02-40-1000	Spindle Ball Brg. (Front)
(2) 23	42-42-0061	Trigger Lock Button
(2) 24	40-50-1200	Trigger Lock Spring
(2) 25	44-70-0071	Trigger Lock Plunger

MISCELLANEOUS PARTS NOT SHOWN

PART NO.	DESCRIPTION OF PART	PART NO.	DESCRIPTION OF PART
06-42-0400	Woodruff Key (Spindle)	06-81-6150	8-32x1/2" Fil. Hd. Sems Diaphragm Screws (2)
42-36-0200	Switch Mounting Bracket	(1) 06-81-6300	8-32x7/8" Fil. Hd. Sems Gear Case Screws (4)
06-81-8200	4-36x3/16" Rd. Hd. Sems Sw. Bracket Mtg. Scs. (2)	06-81-4300	3-48x3/16" Rd. Hd. Name Plate Screws (2)
06-81-5800	6-32x5/16" Fil. Hd. Sem Switch Mounting Sc. (2)	12-98-0600	Name Plate
06-83-0100	10-32x1/4" Hd'less Slotted Brush Holder Scs. (2)	48-66-3200	Chuck Key (1)
06-81-6250	8-32x3/4" Fil. Hd. Sems Handle Cover Scs. (2)	06-81-5950	6-32x1-7/8" Fil. Hd. Sems Field Screws (2)
06-81-6150	8-32x1/2" Fil. Hd. Sems Cord Clamp Screws (2)	48-03-0010	Attachment Plug Adaptor (1)
06-81-8625	6-32x1/4" Rd. Hd. Sems Ground Scs. (Brass) (1)	45-88-0250	Washer (1)
06-81-6200	8-32x5/8" Fil. Hd. Sems Handle Cover Screws (1)	45-30-0070	Ball Bearing Ret. Slug (1)