

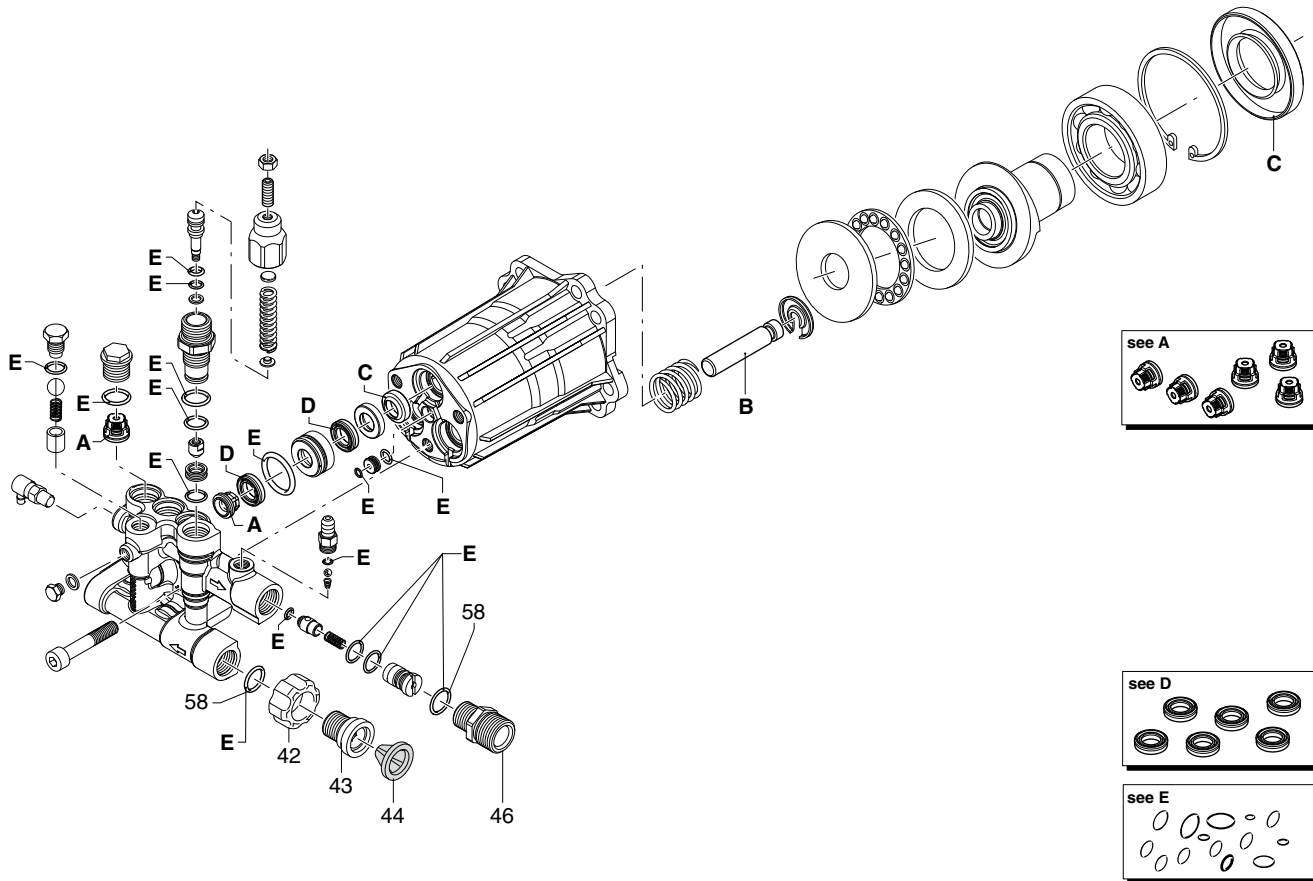
## EXPLODED VIEW: EV PW CONSUMER 2500-3100PSI

DRAWING #: 0K5883

## GROUP EV

ITEM	PART#	QTY.	DESCRIPTION
1	0K0921	1	HOSE 1/4"X25' W/M22 CONN 3100 (2500-2800 PSI)
	0K0921A	1	HOSE 1/4"X30' W/M22 CONN 3100 (3100 PSI)
2	0J1449	6	CHRISTMAS TREE FASTENER
3	0J3055C	1	ASSY-UPR BB 3 HOLE ORG (2500 PSI)
	0J3055D	1	ASSY-UPR BB 4 HOLE ORG (2800 PSI)
	0J3055E	1	ASSY-UPR BB 5 HOLE ORG (3100 PSI)
4	0J3079	3	GROMMET-NOZZLE (2500 PSI)
	0J3079	4	GROMMET-NOZZLE (2800 PSI)
	0J3079	5	GROMMET-NOZZLE (3100 PSI)
5	0J1444	1	SCREEN-GARDEN HOSE INLET
6	0J3052	1	HOOK-HOSE
7	0K6273	2	TUBE-GC/GX HANDLE
8	0J3315	4	SCREW SHC M8-1.25X25 C8.8 ZP
9	092479	4	WASHER LOCK M8 RIBBED C8.8 ZP
10	0K1663	1	PUMP, AXIAL 2.2 GPM, (2500/2800 PSI)
	0J7764	1	PUMP, AXIAL (3100PSI)
11D	0K4051	1	ENGINE 196CC G19 EPA3 (2500/2800 PSI)
11E	0K4443	1	ENGINE 212CC G19 EPA3 (3100 PSI)
11F	0K4901	1	ENGINE 196CC G19 EPA3 CARB (2800 PSI)
11G	0K4902	1	ENGINE 212CC G19 EPA3 CARB (3100 PSI)
12	067989	4	NUT HEX FL WHIZ M8-1.25
13	0J6276	2	WHEEL 10" X 1.75"X0.5" DIA 2PC
14	0J3374	1	DECAL QUICK START GC/GX
15	0K0982	2	RING, SNAP 1/2 TYPE E
16	022304	2	WASHER FLAT 1/2 ZINC
17	0K5904	2	WASHER NYLON .50 X 1.00 X .250
18	0J2042A	1	WLDMNT,GC/GX TUBE FR RAW 1/2"
19	0J2045A	1	MOUNT-FOOT ORG
20	0J3331	4	SCREW BFHSC M6-1.0 X 45 BLK ZP
21	0J2229	1	VIBRATION MOUNT 1-1/4" OD
22	0J1545	1	SCREW BHSP M6-2.5 X 19MM (2500 PSI)
	0J1545	2	SCREW BHSP M6-2.5 X 19MM (2800 PSI)
	0J1545	3	SCREW BHSP M6-2.5 X 19MM (3100 PSI)
23	089230	4	SCREW HHFC M8-1.25 X 35 G8.8
24	0D3700	4	NUT FLANGE M6-1.0 NYLOK
25	0J9739B	1	AXLE 1/2" DIA
26	0J2048	1	CAP, CHEMICAL TANK W/O HOLE (3100 PSI)
27	0J2047A	1	TANK-CHEMICAL LH/RH 1/2" (2800 PSI)
	0J2047A	2	TANK-CHEMICAL LH/RH 1/2" (3100 PSI)
28	0H9642A	1	GUN (2500-2800 PSI)
	0J7555	1	GUN-W/O RIBS (3100 PSI)
29	0H9640	1	LANCE ASSY-20" LONG
30	0H9617	1	KIT-NOZZLE (2500 PSI)
	0H9617A	1	KIT-NOZZLE (2800 PSI)
	0H9617B	1	KIT-NOZZLE (3100 PSI)
31	0G5442	2	SNAP BUTTON - .437" DIA. HEAD
32	0K1287C	1	DECAL-NOZZLE ID 3 NOZZLE MATTE (2500 PSI)
	0K1287D	1	DECAL-NOZZLE ID 4 NOZZLE MATTE (2800 PSI)
	0K1287E	1	DECAL-NOZZLE ID 5 NOZZLE MATTE (3100 PSI)
33	0K1286C	1	DECAL-GEN 2500PSI 2.3GPM (MAT)
	0K1286D	1	DECAL-GEN 2800PSI 2.5GPM (MAT)
	0K1286E	1	DECAL-GEN 3100PSI 2.7GPM (MAT)
34	0J2049	1	CAP, CHEMICAL TANK W/HOLE (2800/3100 PSI)
35	0J5710	1	DETERGENT HOSE AND FILTER
36	0K6007	1	DECAL QUICK START- FIXED SPEED

# POWER WASHER PUMP, AXIAL-2.5GPM 3000 PSI – REPLACEMENT PARTS



REF. #	Generac Part #	QTY	Description
	OJ7764	1	PUMP, AXIAL-2.5GPM 3000PSI
42	0H95650120	1	FITTING, SUCTION
43	0H95650121	1	FITTING, SUCTION
44	0H95650122	1	FILTER
46	0H95650123	1	FITTING, OUTLET
58	0H95650124	2	O-RING
64	0H9570	1	VALVE ASSY., THERMAL RELIEF

REF. #	Generac Part #	QTY	Description
A	OJ04790110	1	KIT, VALVE
D	OJ04790113	1	KIT, WATER SEALS
E	OJ77640110	1	KIT, O-RINGS
	0H95650116	1	KIT, UNLOADER (NOT SHOWN)

**GENERAC®**

Generac Power Systems, Inc.  
 S45 W29290 Hwy. 59  
 Waukesha, WI 53189  
 1-888-GENERAC (1-888-436-3722)