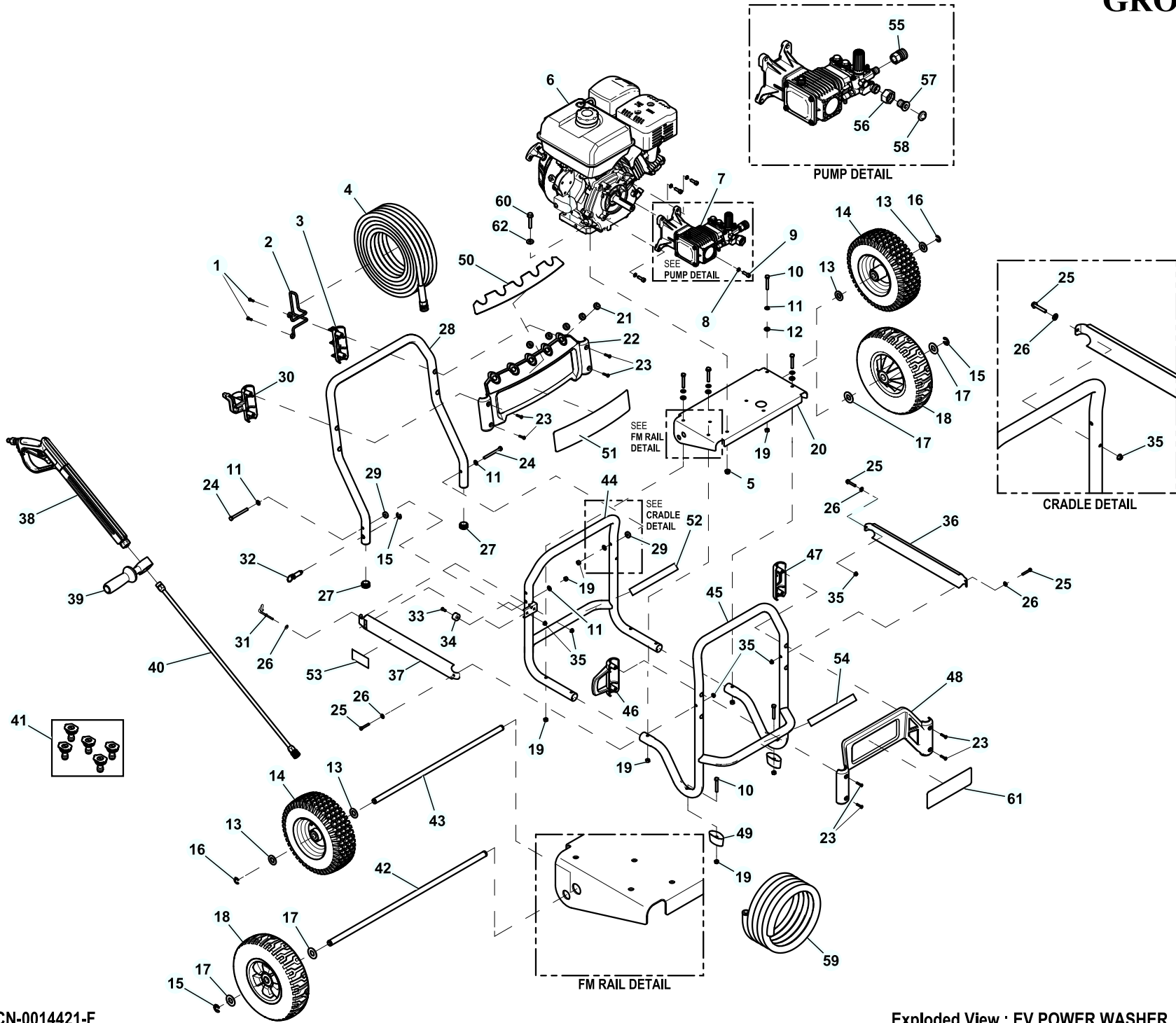


GROUP



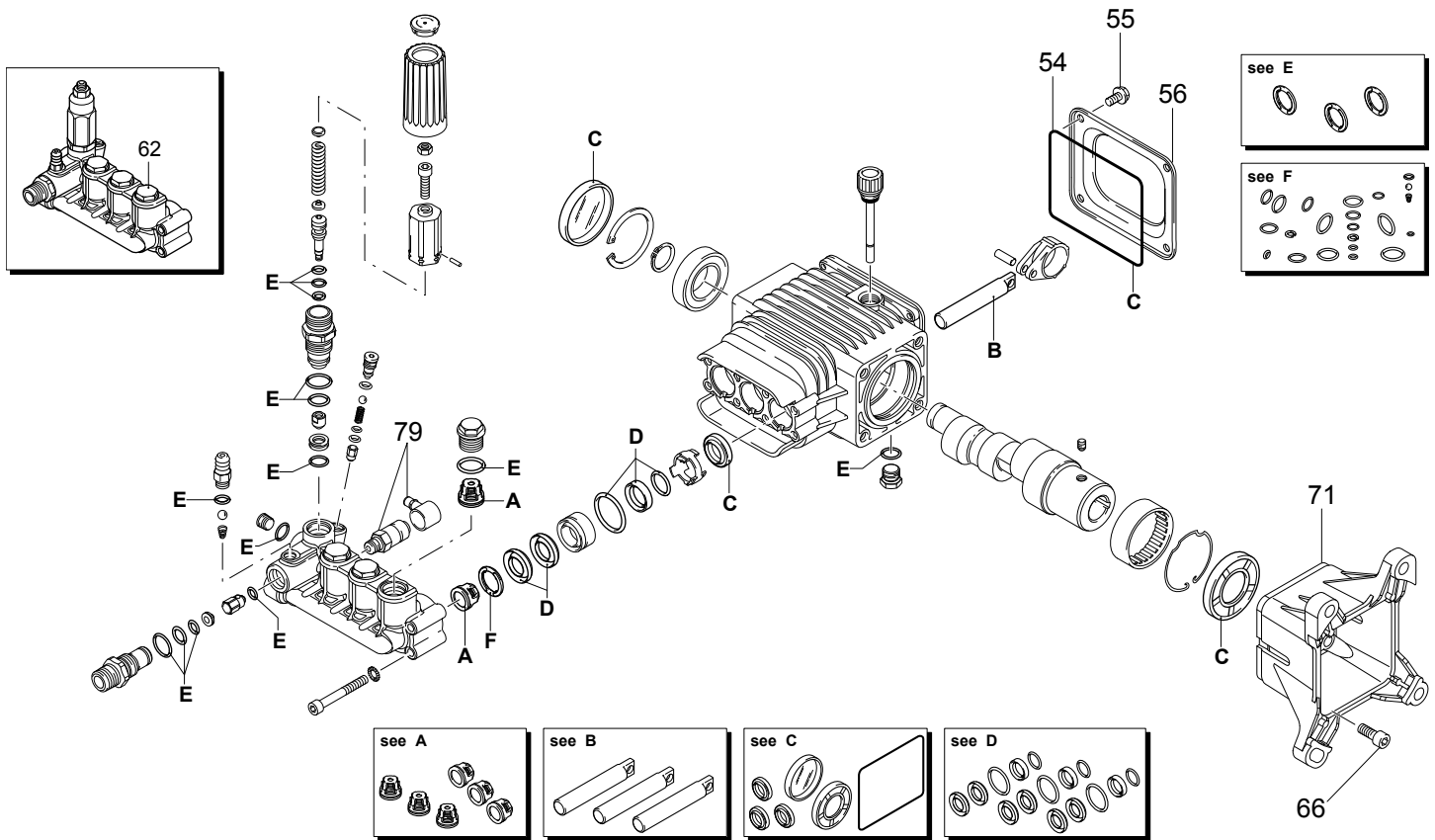
EXPLODED VIEW: EV POWER WASHER 3800/4200

DRAWING #: 0K4564

GROUP EV

ITEM	PART#	QTY.	DESCRIPTION
1	0J1545	2	SCREW BHSP M6-2.5 X 19MM
2	0J0211	1	HOOK GP HOSE
3	0H9637A	1	BILLBOARD CAP W/HOSE HOOK ORG
4	0K5465A	1	HOSE 3/8" X 35' W/QC DISK (3800 PSI)
	0K5465	1	HOSE 3/8" X 50' W/QC DISK (4200PSI)
5	067989	4	NUT HEX FL WHIZ M8-1.25
6	0K4510	1	ENGINE (3800 PSI)
	0K3133	1	ENGINE (4200 PSI)
7	0K1669	1	PUMP TRIPLEX 3.3 GPM (3800 PSI)
	0J0480	1	PUMP,TRIPLEX (4200 PSI)
8	092479	4	WASHER LOCK M8 RIBBED
9	0J3315	4	SCREW SHC M8-1.25 X 25 C8.8 ZP
10	0J3317	6	SCREW HHC M8-1.25X55 8.8 BL ZP
11	022145	8	WASHER FLAT 5/16-M8 ZINC
12	0D4417	4	WASHER,RUBBER 1/4" X 1/8" THK
13	045900	4	WASHER FLAT 3/4 ZINC (4200 PSI)
14	0K4506	2	WHEEL,12.8"OD PNUEM 3/4"OD AXL (4200 PSI)
15	0J2686	3	RING, SNAP - 5/8" TYPE E (3800 PSI)
	0J2686	1	RING, SNAP - 5/8" TYPE E (4200 PSI)
16	0J3255	2	RING, SNAP - 3/4" TYPE E (4200 PSI)
17	022247	4	WASHER FLAT 5/8 ZINC (3800 PSI)
18	0H9589B	2	WHEEL 10"D X 3" (3800 PSI)
19	049820	8	NUT HEX LOCK M8-1.25 NY INS
20	0J6839	1	FM RAIL-ENGINE GP SERIES
21	0J3079	5	GROMMET-NOZZLE
22	0H9620A	1	BILLBOARD-UPPER ORG
23	0J1544	8	SCREW BHSP M6-2.5 X 25MM
24	061906	2	SCREW HHC M8-1.25 X 85 C8.8
25	051753	3	SCREW HHC M6-1.0 X 40 C8.8 FTH
26	022473	4	WASHER FLAT 1/4-M6 ZINC
27	0H9731	2	TUBE END CAP - 1-1/4" OD TUBE
28	0H9601	1	TUBE-GP HANDLE
29	0J0688	2	WASHER, NYLON .325 X .875 X .25
30	0J0141A	1	BILLBOARD CAP W/GUN HOOK ORG
31	0J2422	1	ASSY-WIRE PULL START CORD
32	0J0050	1	PULL PIN ASSEMBLY
33	0J5086	1	SCREW BHSC M6-1.0 X 20 ZP
34	0J5254	1	BUMPER-HANDLE STOP
35	0E8388	5	NUT HEX FL WHIZ M6-1.0
36	0J5156A	1	BRACKET-SIDE W/O CUTOUT
37	0J5156B	1	BRACKET-SIDE W/CUTOUT
38	0K6183	1	GUN ASSY-W/RIBS (4200 psi)
39	0J1052	1	GUN SUPPORT HANDLE
40	0H9625A	1	LANCE ASSY-33" LONG SS
41	0H9617T	1	KIT-NOZZLE 035/037 (3800 PSI)
	0H9617E	1	KIT-NOZZLE (4200 PSI)
42	0H9603B	1	AXLE, 5/8" DIA (3800 PSI)
43	0J3252	1	AXLE, 3/4" DIA (4200 PSI)
44	0H9765	1	WLDMNT, GP TUBE FRAME RR
45	0H9592	1	WLDMNT, GP TUBE FRAME FT
46	0J0140A	1	BILLBOARD CAP W/WAND HOOK ORG
47	0J0139A	1	BILLBOARD CAP W/O HOOK ORG
48	0H9623A	1	BILLBOARD-LOWER BLANK
49	0G9055A	2	FOOT
50	0K1437A	1	DECAL-NOZZLE ID LG PRO (MATTE) (3800/4200 PSI)
51	0K1440C	1	DECAL-GENERAC (3800 PSI)
	0K1440D	1	DECAL-GENERAC (4200 PSI)
52	0J3376	1	DECAL QUICK START GP
53	0J3452	1	DECAL-ON/OFF
54	0J3375	1	DECAL QUICK START GP
55	0H9568	1	COUPLING-FEMALE QDISK
56	0J1445	1	NUT-GARDEN HOSE INLET
57	0J1443	1	NIPPLE-GARDEN HOSE INLET
58	0J1444	1	SCREEN-GARDEN HOSE INLET
59	0J5710	1	DETERGENT HOSE AND FILTER
60	G073144	4	SCREW HHFC M8-1.25 X 45 G8.8
61	0K4636	1	DECAL, GENERAC LOGO
62	0L0809	4	WASHER FLAT 5/16 W ZP

POWER WASHER PUMP, AXIAL-3.3 GPM 3500 PSI – REPLACEMENT PARTS



REF. #	Generac Part #	QTY	Description
	0K1669	1	PUMP, TRIPLEX-3.3GPM, 3500 PSI
50	0H95660120	1	CAP, OIL
54	0H95660121	1	GASKET
55	0H95660122	4	SCREW
56	0H95660123	1	COVER, REAR
62	0H95660124	1	HEAD, PUMP, PRE-ASSY.
66	0H95660125	4	SCREW
71	0H95660126	1	FLANGE, GAS ENGINE
79	0H9570	1	VALVE, THERMIC

REF. #	Generac Part #	Description
KIT A	0K16690110	VALVES
KIT B	0H95660111	PISTONS
KIT C	0H95660112	SEALS, OIL
KIT D	0H95660113	SEALS, WATER
KIT E	0H95660114	O-RINGS
KIT F	0H95660115	SUPPORT RINGS

GENERAC®

Part No. 0K1669PMNL Printed in USA Rev. A 08/13/14
 ©2013 Generac Power Systems, Inc. All rights reserved.
 Specifications are subject to change without notice
 No reproduction allowed in any form without prior written consent from Generac Power Systems, Inc.

Generac Power Systems, Inc.
 S45 W29290 Hwy. 59
 Waukesha, WI 53189
 1-888-GENERAC (1-888-436-3722)

generac.com

Internal Use Only – Not for Distribution