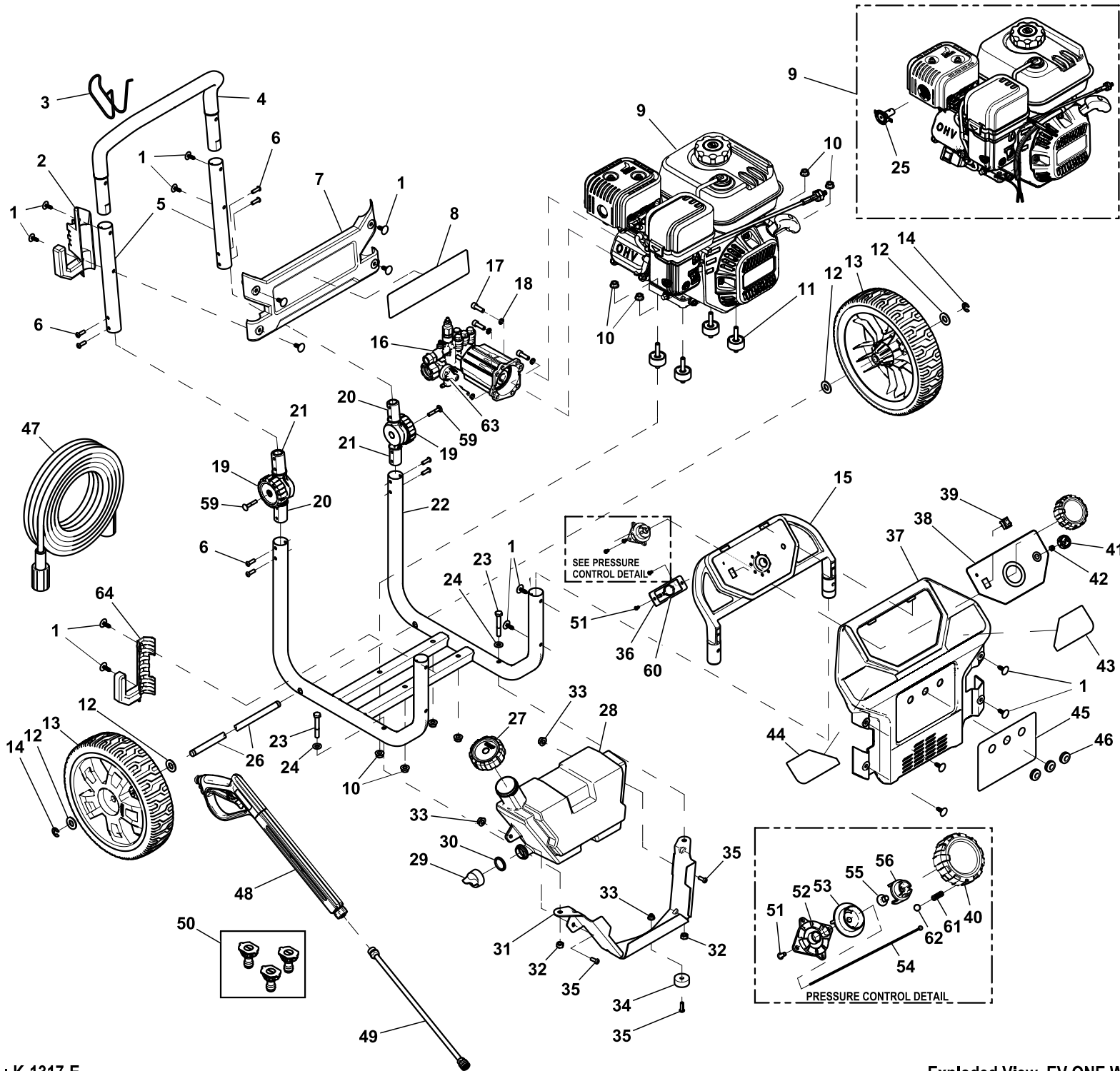


GROUP EV

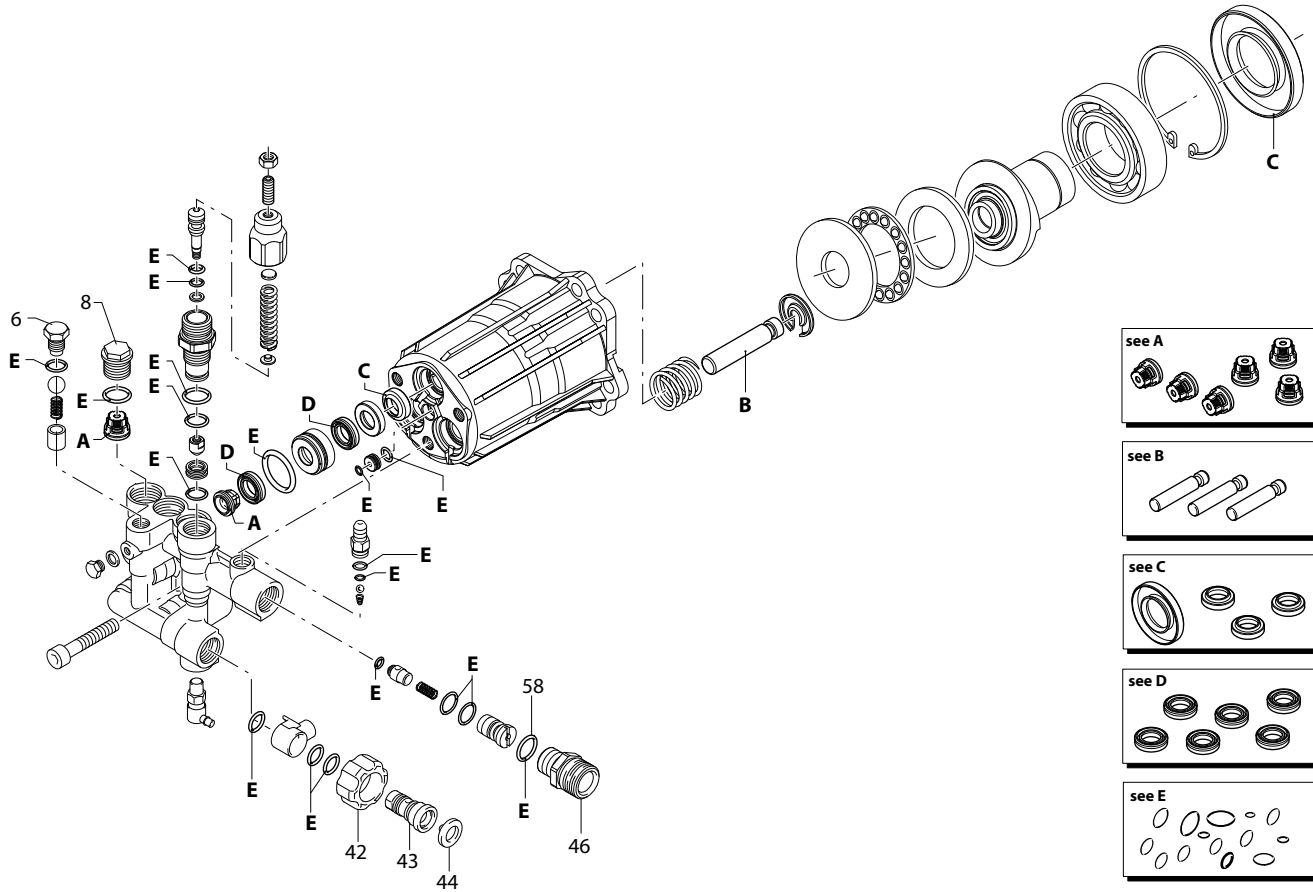


GROUP EV

| ITEM | PART | QTY. | DESCRIPTION |
|------|---------|------|-----------------------------------|
| 1 | 0K0435 | 16 | FASTNER, RIBBED SHANK CHRSTM TR |
| 2 | 0K0044 | 1 | CAP W/GUN-WAND |
| 3 | 0J3052 | 1 | HOOK-HOSE |
| 4 | 0K0042 | 1 | HANDLE |
| 5 | 0J9729 | 2 | TUBE-HANDLE |
| 6 | 0J1545 | 8 | SCREW BHSP M6 X 19MM |
| 7 | 0K0041 | 1 | BILLBOARD-UPPER |
| 8 | 0K0444 | 1 | DECAL HANDLE (3000) |
| | 0K0444A | 1 | DECAL HANDLE (3100) |
| 9 | 0K1046 | 1 | ENGINE ASSY (3000 & 3100) |
| | 0K1047 | 1 | ENGINE ASSY CARB (3000 & 3100) |
| 10 | 067989 | 8 | NUT HEX FL WHIZ M8-1.25 |
| 11 | 021217 | 4 | VIB MNT 16 X 35 X M8-1.25 |
| 12 | 022304 | 4 | WASHER FLAT 1/2 ZINC |
| 13 | 0K0256A | 2 | WHEEL 11" X 2.5" X 0.5" |
| 14 | 0K0982 | 2 | RING SNAP 1/2 TYPE E |
| 15 | 0K0046 | 1 | BILLBOARD-LOWER CONTROL |
| 16 | 0J9375 | 1 | PUMP-ONE WASH |
| 17 | 0J3315 | 4 | SCREW SHC M8-1.25 X 25 C8.8 |
| 18 | 092479 | 4 | WASHER LOCK M8 RIBBED |
| 19 | 0J9741 | 2 | CAP-KNOB, HANDLE |
| 20 | 0J9646 | 2 | HINGE PLATE HANDLE |
| 21 | 0J9645 | 2 | HINGE PLATE FRAME |
| 22 | 0J9708 | 1 | WELDMNT TUBE FRAME BLACK |
| 23 | 0J3317 | 2 | SCREW HHC M8-1.25 X 55 PC8.8 |
| 24 | 022145 | 2 | WASHER FLAT 5/16-M8 ZINC |
| 25 | 0K1851 | 1 | SPARK ARRESTER (CARB ENGINE ONLY) |
| 26 | 0J9739 | 1 | AXLE, 1/2" DIA |
| 27 | 0J9793 | 1 | CAP-CHEMICAL FILL |
| 28 | 0K0257 | 1 | TANK-CHEMICAL |
| 29 | 0J9794 | 1 | CAP-DRAIN |
| 30 | 0K1964 | 1 | GASKET, CAP DRAIN |
| 31 | 0K1814 | 1 | BRACKET-MOUNTING FOOT, WELDED |
| 32 | 049820 | 2 | NUT HEX LOCK M8-1.25 NY INS |

| ITEM | PART | QTY. | DESCRIPTION |
|------|---------|------|------------------------------------|
| 33 | 0D3700 | 3 | NUT FLANGE M6-1.0 NYLOK |
| 34 | 0J2229 | 1 | VIBRATION MOUNT 1-1/4" OD |
| 35 | 0J5086 | 1 | SCREW BHSC M6-1.0 X 20 ZP |
| 36 | 0K0251 | 3 | ASSY PCB PRESS WASH SENSOR |
| 37 | 0K0045 | 1 | BILLBOARD-LOWER |
| 38 | 0K0877 | 1 | DECAL BILLBOARD LWR CNTRL (3000) |
| | 0K0877A | 1 | DECAL BILLBOARD LWR CNTRL (3100) |
| 39 | 0K0442 | 1 | SWITCH, ON-OFF |
| 40 | 0K0138 | 1 | KNOB CONTROL |
| 41 | 0K0781 | 1 | CAP CHOKE CABLE |
| 42 | 0K1744 | 1 | NUT HEX M10X1.0X6 |
| 43 | 0K0445 | 1 | DECAL QUICK SET UP |
| 44 | 0K0054 | 1 | DECAL INSTRUCTIONS PW |
| 45 | 0K0053 | 1 | DECAL NOZZLES BILLBOARD |
| 46 | 0J3079 | 3 | GROMMET-NOZZLE |
| 47 | 0K0921A | 1 | HOSE 30 FT X 1/4" W/M22 CONN |
| 48 | 0K0543 | 1 | GUN ASSEMBLY - W/RIBS AND M22 CONN |
| 49 | 0H9640 | 1 | LANCE ASSY - 20" LONG |
| 50 | 0H9617G | 1 | KIT-NOZZLE |
| 51 | 0K0899 | 4 | SCREW BHSP M4 X 10MM |
| 52 | 0K0139 | 1 | PLATE-STEPPED CONTROL |
| 53 | 0K0140 | 1 | ROTOR-STEPPED CONTROL |
| 54 | 0K0438A | 1 | BOWDEN CABLE |
| 55 | 0K0573 | 1 | SCREW BFHSC M6-1.0 X 10 BLK ZP |
| 56 | 0K0141 | 1 | KNOB SYNCHRONIZER-CONTROL |
| 59 | 0K1579 | 2 | CHB M6-1.00 X 35MM LONG |
| 60 | 0K0914 | 1 | GASKET, PCB |
| 61 | 0K1109 | 1 | SPRING, DETENT |
| 62 | 0K1132 | 1 | BALL, 7MM, STAINLESS |
| 63 | 0K0439 | 1 | PRESSURE SWITCH |
| 64 | 0K1138 | 1 | CAP-W/GUN |

POWER WASHER PUMP, AXIAL-2.5GPM 3400 PSI – REPLACEMENT PARTS



| REF. # | Generac Part # | QTY | Description |
|--------|----------------|-----|-------------------------------|
| | 0J9375 | 1 | PUMP-RMV 2.5G30 W/ EXTRA PORT |
| 6 | 0H95650130 | 1 | PLUG |
| 8 | 0J93750100 | 3 | PLUG |
| 42 | 0H95650120 | 1 | SUCTION FITTING |
| 43 | 0J93750101 | 1 | SUCTION FITTING |
| 44 | 0H95650122 | 1 | FILTER |
| 46 | 0H95650123 | 1 | OUTLET FITTING |
| 58 | 0H95650124 | 4 | O-RING |

| REF. # | Generac Part # | Description |
|--------|----------------|-------------------|
| A | 0J04790110 | KIT - VALVES |
| B | 0J04790111 | KIT - PISTONS |
| C | 0J93750102 | KIT - OIL SEALS |
| D | 0J04790113 | KIT - WATER SEALS |
| E | 0J93750103 | KIT - O-RINGS |

GENERAC[®]

Generac Power Systems, Inc.
 S45 W29290 Hwy. 59
 Waukesha, WI 53189
 1-888-GENERAC (1-888-436-3722)