

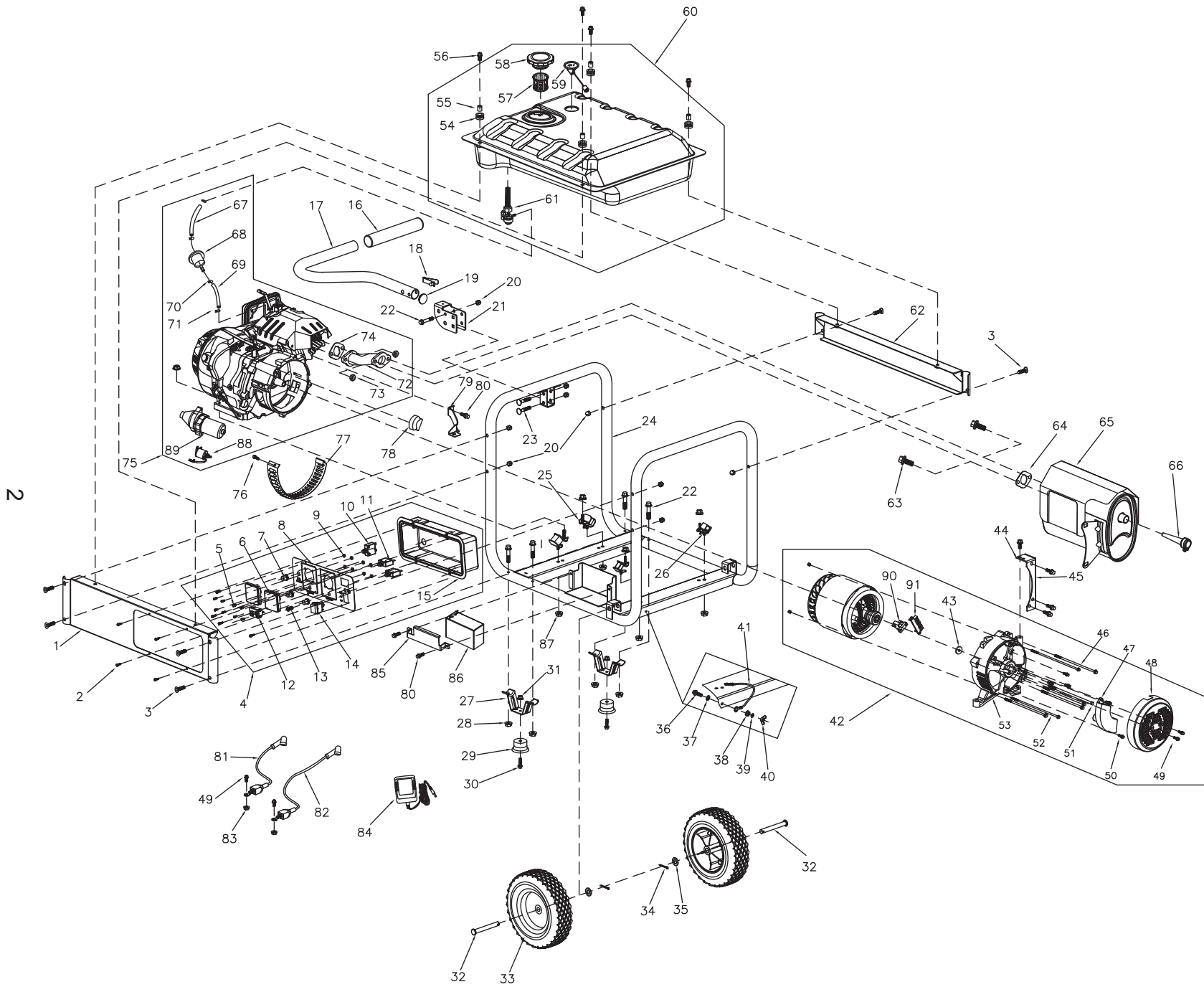


Parts Manual

GP6000 420cc (Model 0064270)

NOTICE!

The information in this manual is known to be accurate as of the date of release shown on the cover. However, engineering changes can occur without notice. To obtain the proper parts, please be sure to use the serial number of the unit being serviced when ordering from this manual. Always refer to any parts notes and changes before ordering. All other parts not shown in this manual can be found on Generac's exploded view drawings online on GENservice at www.generac.com.



2

| Item | Part # | Qty | Description |
|------|-------------|-----|----------------------------|
| 1 | 0H97480ST03 | 1 | FRAME, RAIL |
| 2 | 0H91980159 | 8 | SCREW, PAN M5X16 |
| 3 | 0H1780 | 6 | BOLT, CURVED HEAD |
| 4 | 0K20680110 | 1 | PANEL ASSY, CONTROL |
| 5 | 0K20680111 | 8 | SCREW, PAN M4X12 |
| 6 | 0K20670112 | 2 | RECEPTACLE |
| 7 | 0K20670113 | 3 | COVER, RECEPTACLE |
| 8 | 0K2059 | 1 | PLATE, FACE, CONTROL PANEL |
| 9 | 0J86620108 | 8 | NUT M4 |
| 10 | 0K20680112 | 1 | BREAKER, CIRCUIT, 30A |
| 11 | 0H0265B | 2 | BREAKER, CIRCUIT, 15A |
| 12 | 0G8321 | 1 | METER, HOUR |
| 13 | 0J4959 | 1 | INPUT, CHARGER |
| 14 | 0J0251 | 1 | SWITCH, ENGINE |
| 15 | 0G9756A | 1 | COVER, BACK PANEL |
| 16 | 0G8442C113 | 1 | GRIP, HANDLE |
| 17 | 0H97560ST15 | 1 | HANDLE |
| 18 | 0J5347 | 1 | BUTTON, SNAP |
| 19 | 0H9760 | 1 | PLUG, HANDLE |
| 20 | 0H1782 | 9 | NUT, LOCKING CAP(M8) |
| 21 | 0H97670ST15 | 1 | BRACKET, HANDLE |
| 22 | 073144 | 5 | BOLT, M8X45 |
| 23 | 0H1781 | 2 | BOLT, CARRIAGE HEAD M8X46 |
| 24 | 0K1847AST15 | 1 | FRAME |
| 25 | 0J2085A | 2 | MOUNT, VIBRATION (LEFT) |
| 26 | 0J2085 | 2 | MOUNT, VIBRATION (RIGHT) |
| 27 | 0K0097 | 2 | FRAME, BENT FOOT |
| 28 | 0K0098 | 4 | NUT M8 |
| 29 | 0J8836 | 2 | FOOT, RUBBER |
| 30 | 0K0100 | 2 | BOLT M6X28 |
| 31 | 0K0105 | 2 | NUT M6 |
| 32 | 0H0204 | 2 | PIN, AXLE |
| 33 | 0K6011 | 2 | WHEEL |
| 34 | 0D4999 | 2 | PIN, COTTER |
| 35 | 022304 | 2 | WASHER, FLAT |
| 36 | 0J35220156 | 1 | BOLT, M6X20 |
| 37 | 0K0093 | 1 | WASHER, SPECIAL LOCK |
| 38 | 0G84420272 | 1 | NUT M6 |
| 39 | 0J47870118 | 2 | WASHER, FLAT |
| 40 | 0K0094 | 1 | NUT M6 |

| Item | Part # | Qty | Description |
|------|-------------|-----|---------------------------------|
| 41 | 0K0092 | 1 | WIRE ASSY., GROUND |
| 42 | 0K1882 | 1 | ALTERNATOR ASSY. |
| 43 | 0J86620102 | 1 | WASHER, FLAT M10X4 |
| 44 | 0E9470 | 4 | BOLT, M8X16 |
| 45 | 0G8542 | 1 | BRACKET, MUFFLER |
| 46 | 0H92090105 | 4 | BOLT, STATOR, M6X193 |
| 47 | 0J86620111 | 1 | AVR |
| 48 | 0H3049 | 1 | COVER, GENERATOR END |
| 49 | 0J4967 | 8 | BOLT, M5X12 |
| 50 | 0J4968 | 3 | BOLT, M5X16 |
| 51 | 0H92090104 | 1 | BOLT, ROTOR M10X285 |
| 52 | 0H9838C112 | 2 | BOLT, M5X232 |
| 53 | 0H91980171 | 1 | HOUSING, RR |
| 54 | 0H1411B | 4 | MOUNT, RUBBER FUEL TANK |
| 55 | 0H1610A | 4 | LINING (ANTI CRUSH) |
| 56 | 0E9507C | 4 | BOLT, M8X20 |
| 57 | 0H1326 | 1 | FILTER, FUEL (TANK) |
| 58 | 0H1325A | 1 | CAP, FUEL |
| 59 | 0K09150113 | 1 | METER, FUEL |
| 60 | 0H75910SRV | 1 | TANK ASSY. FUEL 8GAL. AUSTRALIA |
| 61 | 0J0974 | 1 | VALVE, FUEL SHUT OFF |
| 62 | 0H9749AST03 | 1 | RAIL, BACK |
| 63 | 0E9507B | 2 | BOLT, M8X25 |
| 64 | 0J4691 | 1 | GASKET, EXH. MUFFLER |
| 65 | 0K20680113 | 1 | MUFFLER |
| 66 | 0J5207C110 | 1 | ARRESTOR, SPARK |
| 67 | 0G9757A | 1 | HOSE, FUEL 8X55 |
| 68 | 0G9914 | 1 | FILTER, FUEL (IN-LINE) |
| 69 | 0G9757B | 1 | HOSE, FUEL, 8X80 |
| 70 | 048031B | 3 | CLAMP, HOSE |
| 71 | 048031B | 1 | CLAMP, HOSE |
| 72 | 0J4535A | 1 | MANIFOLD PIPE, EXHAUST |
| 73 | 0J35220161 | 2 | NUT, M8 |
| 74 | 0G9028 | 1 | GASKET, EXH., CYLINDER |
| 75 | 0J9446A | 1 | ENGINE, 420CC |
| 76 | 0J00620100 | 1 | BOLT, M5X10 |
| 77 | 0H9761 | 1 | COVER, DUST |
| 78 | 0J86620104 | 1 | BAFFLE |
| 79 | 0G8442C112 | 1 | BRACKET, AIR CLEARNER |
| 80 | 0G84420217 | 3 | BOLT, M6X14 |



GP6000

| Item | Part # | Qty | Description |
|------|-------------|-----|--------------------------|
| 81 | 0J4157B | 1 | CABLE, BATTERY, POSITIVE |
| 82 | 0J4157A | 1 | CABLE, BATTERY, NEGATIVE |
| 83 | 0H3535 | 2 | NUT, M5 |
| 84 | 0K1965 | 1 | CHARGER, BATTERY |
| 85 | 0J06940ST15 | 1 | COVER, BATTERY |
| 86 | 0G9449 | 1 | BATTERY |
| 87 | 0K22930127 | 4 | NUT, M8 |
| 88 | 0H98380102 | 1 | RELAY, STARTER |
| 89 | 0H98380101 | 1 | MOTOR, STARTER |
| 90 | 0H0919 | 1 | BRUSH |
| 91 | 0J83630111 | 1 | TERMINAL, WIRE CONNECTOR |

©2014 Generac Power Systems, Inc. All rights reserved.
Specifications are subject to change without notice
No reproduction allowed in any form without prior written consent from Generac Power Systems, Inc.