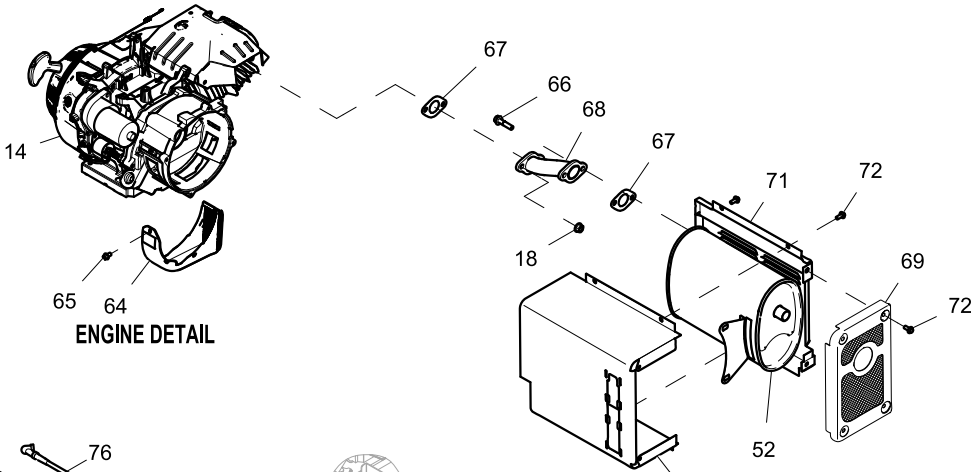


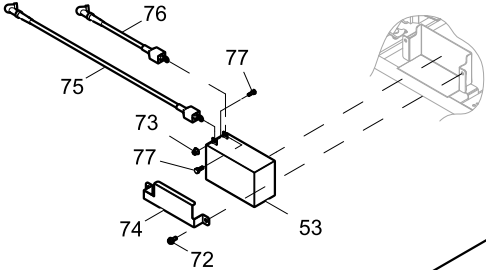
ITEM	PART	QTY.	DESCRIPTION
1	0J4690	1	FUEL CAP, VENTED, BLACK CAP
2	0H1326	1	FILTER, FUEL
3	0J4601	1	FUEL TANK 5.8GAL HNYWL
4	0J4030	4	SCREW HHFC M6-1.0 X 25 FTH
5	0H1411B	4	RUBBER MOUNT, 10.3 ID X 11 HGT
6	0H1610A	4	INSERT, ANTI-CRUSH FOR TANKS
7	0J0974	1	VALVE FUEL SHUTOFF
8	048031B	2	CLAMP HOSE BAND SPRING .38
9	0G9757C	1	FUEL HOSE 4 ID X 8.50D X 165MM
10	0H1359	1	PLATE, FUEL GAGE
11	0H1345A	1	FUEL GAGE, 90MM LONG ARM
12	054381	4	WASHER FLAT .266ID X 1.00D
13	0H1357	2	SCREW PFHM M5-0.8 X 12
14	SEE SHEET 2	-	ENGINE HNYWL
15	0J2085	3	VIB MNT 45DEG M8X13.5/M10X37.5
16	0J2085A	3	VIB MNT 45DEG M8X15.5/M10X37.5
17	0J4029	6	NUT HEX FL WHIZ M10-1.25
18	067989	18	NUT HEX FL WHIZ M8-1.25
19	0G8542	1	BRACKET, MUFFLER 389CC
20	0742600197	1	GND WIRE PORT BRG CARR-FRAME
21	0J3047	1	LUG GROUNDING HONEYWELL
22	0A1658	1	WASHER LOCK SPECIAL 1/4"
23	049813	1	NUT HEX M6-1.0 G8 CLEAR ZINC
24	0J2862	2	RUBBER FOOT
25	0J3665	2	BENT FOOT HONEYWELL
26	0J3645	1	WELDMENT AXLE AND BRACKET HW
27	0J3961	1	AXLE BRACKET HONEYWELL
28	0H3443	2	COTTER HAIRPIN 2.56 X .80
29	0J2666	2	WHEEL 10.25" OD 5/8" AXLE
30	0J2665	2	GRIP HANDLE HONEYWELL
31	0J3462A	1	BRACKET HANDLE LH HW PORT
32	0J3462	1	BRACKET HANDLE RH HW PORT
33	0J3474	2	HANDLE, HW PORTABLE
34	0H1782	6	CAP NUT M8-1.25 BLACK ZINC
35	0H1781A	4	CHB M8-1.25 X 40MM LONG
36	0H1779	2	SCREW, HHFC M8-1.25 X 45
37	0G5442	2	SNAP BUTTON - .437" DIA. HEAD
38	SEE SHEET 2	-	CRADLE WELDMENT HNYWL
39	0J3508	1	WELDMENT END RAIL HONEYWELL
40	0J3074	1	BADGE, HW SIDE PANEL
41	0J2804	1	PANEL, PLASTIC SIDE C-PNL PORT
42	038150	6	WASHER FLAT #8 ZINC
43	0J4616	6	SCREW PPPH #8-16 X 0.40" BZC
44	SEE SHEET 2	-	CONTROL PANEL HONEYWELL
45	0G8382	5	SCREW PPPH #8-16 X .66" BZC
46	SEE SHEET 2	-	ASSY ALTERNATOR
47	0E9507A	14	SCREW HHFC M8-1.25 X 14 W/M10
48	0E9507B	2	SCREW HHFC M8-1.25 X 25 W/M10
49	0J4032	2	WSHR FLAT 22.60D X 8.6ID X3
50	022247	2	WASHER FLAT 5/8 ZINC
51	0J4033	12	SCREW HHFC M6-1.0 X 14
52	SEE SHEET 2	-	MUFFLER HNYWL
53	SEE SHEET 2	-	BATTERY 12V10AH SEALED

ENGINE TABLE						
ITEM	QTY.	DESCRIPTION	5500W PS	5500W ES	6500W PS	7500W ES
14	1	ENGINE	0G8442B	0H9198B	0G8442B	0H9838B
68	1	MANIFOLD	0J3341	0J3341	0J3341	0J3341A
38	1	CRADLE WELDMENT HNYWL	0J3463A	0J3463	0J3463A	0J3463B

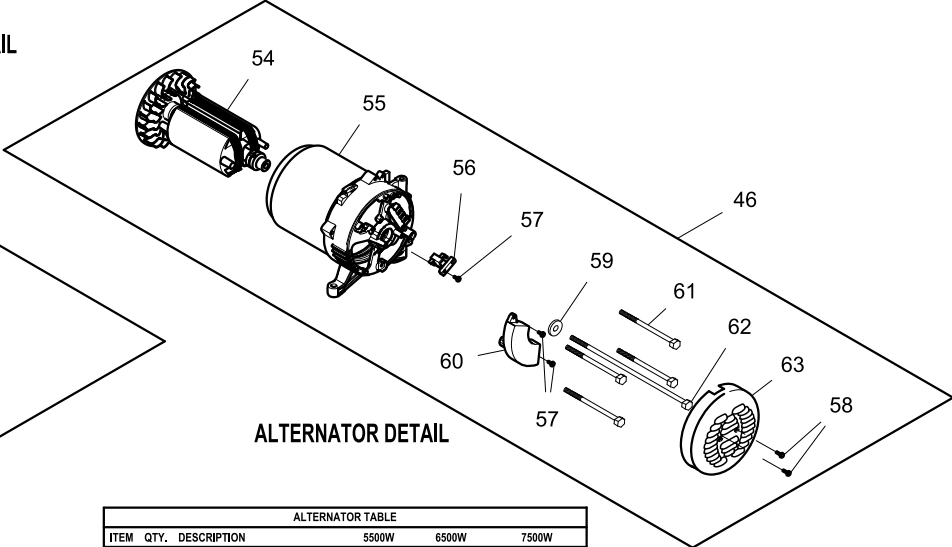


ENGINE DETAIL

MUFFLER DETAIL

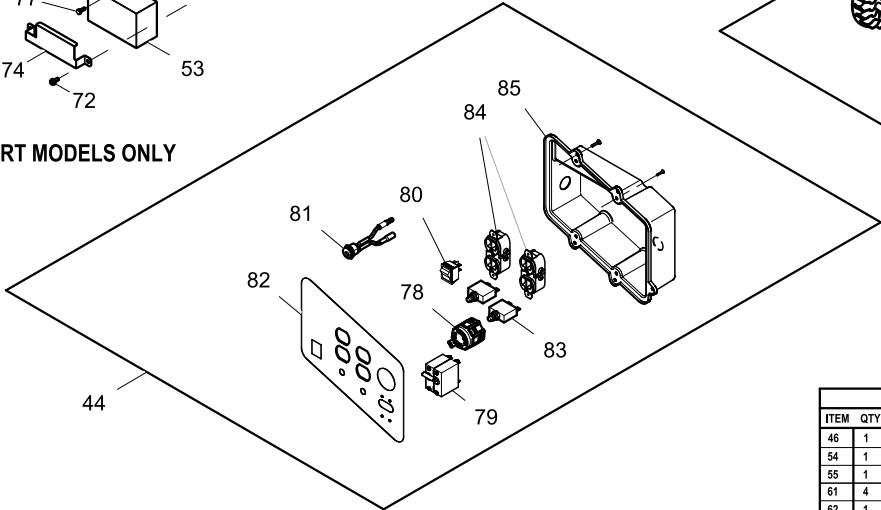


ELECTRIC START MODELS ONLY



ALTERNATOR DETAIL

ALTERNATOR TABLE					
ITEM	QTY.	DESCRIPTION	5500W	6500W	7500W
46	1	ASSY ALTERNATOR	0J4062	0H1281	0H9209
54	1	ASSY ROTOR W/FAN	0J4970	0J4971	0J4972
55	1	ASSY STATOR	0J4974	0J4975	0J4976
61	4	SCREW HHC M6-1.0 X 185 C8.8	0J4979	0J4979	0J4980
62	1	SCREW HHC M10-1.5 X 275 C10.9	0J4982	0J4982	0J4983



CONTROL PANEL DETAIL

CONTROL PANEL TABLE						
ITEM	QTY.	DESCRIPTION	5500W PS	5500W ES	6500W PS	7500W ES
44	1	CONTROL PANEL HONEYWELL	0J2805	0J2805A	0J2805B	0J2805D
79	1	BREAKER 2P 240V	0G9023B	0G9023B	0G9023C	0G9023C
80	1	START/STOP SWITCH	0J0251A	0J0251	0J0251A	0J0251
81	1	ASSY 12VDC POWER JACK W/PLUGS	-	0J4959	-	0J4959
82	1	FACEPLATE, WELDMENT W/OUT HR MTR	0J3242B	0J3242A	0J3242B	0J3242A

ITEM	PART	QTY.	DESCRIPTION
52	0J4608	1	MUFFLER HNYWL
53	0G9449	1	BATTERY 12V10AH SEALED
56	0H0919	1	ASSEMBLY,BRUSH
57	0J4967	3	SCREW HHFC M5-0.8 X 12
58	0J4968	2	SCREW HHFC M5-0.8 X 16
59	070264	1	WASHER FLAT M10
60	0H2579B	1	AVR 5.5-7.5KW ALT
63	0H3049	1	COVER ALTERNATOR INLET 5-7KW
64	0J3877	1	SCROLL, HONEYWELL
65	045770	3	SCREW HHC M5-0.8 X 10 C8.8
66	0D2414	2	SCREW HHFC M8-1.25 X 35 G8.8
67	0G9028	2	GASKET, EXHAUST, 389CC
69	0J3678	1	MUFFLER SHIELD FRONT HONEYWELL
70	0J3679	1	MUFFLER SHIELD ALT SIDE HNYWL
71	0J3680	1	MUFFLER SHIELD FRAME SIDE HW
72	0J4033	14	SCREW HHFC M6-1.0 X 14
73	0H3535	2	NUT FLANGE M5-0.8 NYLOCK
74	0J0694	1	BRACKET BATTERY GP 5.5-7.5E
75	0J4157A	1	WIRE ASSY,BATT NEG,GRN
76	0J4157B	1	WIRE ASSY,BATT POS,RED
77	052618	2	SCREW HHC M5-0.8 X 12 C8.8
78	0G8758	1	OUTLET 30A 120/250V SPCGR
83	0H0265C	2	CB 20A 1P 120V CUL/CSA JOEMEX
84	0H2928	2	OUTLET 20A 120V DPLX SPECGRADE
85	0J2807	1	PANEL,CONTROL BACK BOX H PORT