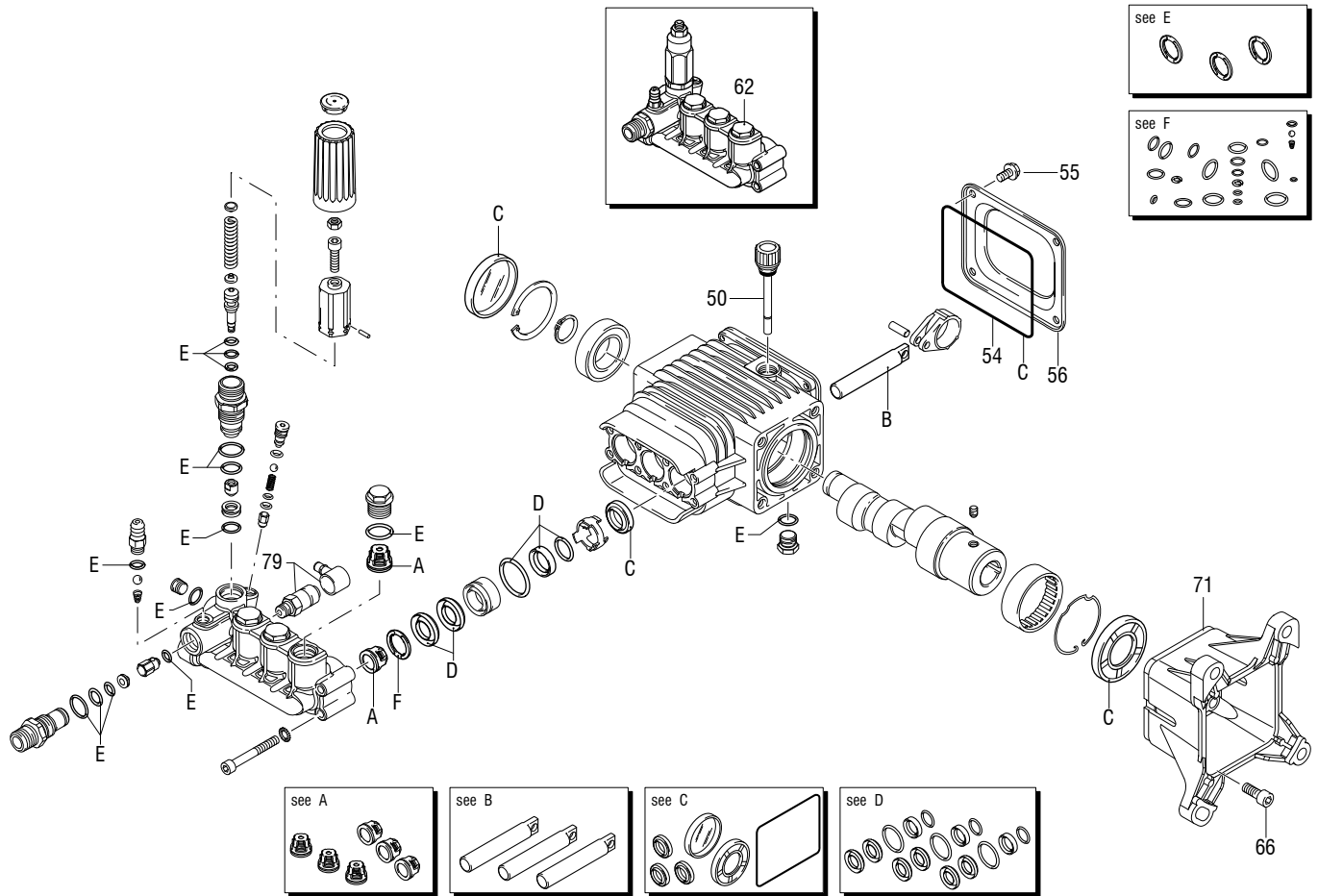


ITEM	PART	QTY.	DESCRIPTION
1	OJ1545	2	SCREW BHSP M6-2.5 X 19MM
2	OJ0211	1	HOOK GP HOSE
3	0H9637	1	BILLBOARD CAP W/HOSE HOOK GP
4	OJ1016A	1	HOSE-35FT X 3/8" W/QDISK (3300 PSI)
	OJ1016	1	HOSE-50FT X 3/8" W/QDISK (4000 PSI)
5	067989	4	NUT HEX FL WHIZ M8-1.25
6	0H9562	1	ENGINE 302CC (3300 PSI)
	0H9563	1	ENGINE 420CC (4000 PSI)
7	0H9566	1	PUMP, TRIPLEX-3.0GPM (3300 PSI)
	OJ0480	1	PUMP, TRIPLEX - 4.0GPM (4000 PSI)
8	092479	4	WASHER LOCK M8 RIBBED
9	OJ3315	4	SCREW SHC M8-1.25 X 25 C12.9
10	OJ3317	6	SCREW HHC M8-1.25X55 8.8 BL ZP
11	022145	8	WASHER FLAT 5/16-M8 ZINC
12	0D4417	4	WASHER,RUBBER 1/4" X 1/8" THK
13	045900	4	WASHER FLAT 3/4 ZINC (4000 PSI)
14	0H9590	2	WHEEL, 12"OD PNUM 3/4"OD AXLE (4000 PSI)
15	OJ2686	3	RING, SNAP - 5/8" TYPE E (3300 PSI)
	OJ2686	1	RING, SNAP - 5/8" TYPE E (4000 PSI)
16	OJ3255	2	RING, SNAP - 3/4" TYPE E (4000 PSI)
17	022247	4	WASHER FLAT 5/8 ZINC (33 00 PSI)
18	0H9589	2	WHEEL 10"DIA X 3"
19	049820	8	NUT HEX LOCK M8-1.25 NY INS
20	089230	4	SCREW HHFC M8-1.25 X 35 G8.8
21	0H9594	1	FM RAIL-ENGINE GP SERIES
22	OJ3079	5	GROMMET-NOZZLE
23	0H9620	1	BILLBOARD-UPPER GP SERIES
24	OJ1544	8	SCREW BHSP M6-2.5 X 25MM
25	061906	2	SCREW HHC M8-1.25 X 85 C8.8
26	051753	3	SCREW HHC M6-1.0 X 40 C8.8 FTH
27	022473	4	WASHER FLAT 1/4-M6 ZINC
28	0H9731	2	TUBE END CAP - 1-1/4" OD TUBE
29	0H9601	1	TUBE-GP HANDLE
30	OJ0688	2	WASHER .325 X .875 X .25 NYLON
31	OJ0141	1	BILLBOARD CAP W/GUN HOOK
32	OJ2422	1	ASSY-WIRE PULL START CORD
33	OJ0050	1	PULL PIN ASSEMBLY
34	OJ5086	1	SCREW BHSC M6-1.0 X 20 ZP
35	OJ5254	1	BUMPER-HANDLE STOP
36	0E8388	5	NUT HEX FL WHIZ M6-1.0
37	OJ5156A	1	BRACKET-SIDE W/O CUTOUT
38	OJ5156B	1	BRACKET-SIDE W/CUTOUT
39	OJ7554	1	GUN ASSY-W/RIBS 4000 PSI
40	OJ1052	1	GUN SUPPORT HANDLE
41	0H9625A	1	LANCE ASSY-33" LONG SS
42	0H9617D	1	KIT-NOZZLE (3300 PSI)
	0H9617E	1	KIT-NOZZLE (4000 PSI)
44	0H9603B	1	AXLE, 5/8" DIA (3300 PSI)
45	OJ3252	1	AXLE, 3/4" DIA (4000 PSI)
46	0H9765	1	WLDMNT, GP TUBE FRAME RR
47	0H9592	1	WLDMNT, GP TUBE FRAME FT
48	OJ0140	1	BILLBOARD CAP W/WAND HOOK GP
49	OJ0139	1	BILLBOARD CAP W/O HOOK GP
50	0H9623	1	BILLBOARD-LOWER GP SERIES
51	0G9055A	2	FOOT
52	0H9622	1	DECAL-NOZZLE ID GP SERIES (3300/4000 PSI)
53	0H9621	1	DECAL-GENERAC (3300 PSI)
	0H9621A	1	DECAL-GENERAC (4000 PSI)
54	OJ3376	1	DECAL QUICK START GP
55	OJ3452	1	DECAL-ON/OFF
56	OJ3375	1	DECAL QUICK START GP
57	0H9568	1	COUPLING-FEMALE QDISK
58	OJ1445	1	NUT-GARDEN HOSE INLET
59	OJ1443	1	NIPPLE-GARDEN HOSE INLET
60	OJ1444	1	SCREEN-GARDEN HOSE INLET
61	OJ5710	1	DETERGENT HOSE AND FILTER

POWER WASHER PUMP, TRIPLEX-4GPM 4000 PSI – REPLACEMENT PARTS



REF. #	Generac Part #	QTY	Description
	OJ0480	1	COMPLETE PUMP, TRIPLEX-4GPM 4000 PSI
50	OH95660120	1	CAP/DIPSTICK, OIL
54	OH95660121	1	GASKET
55	OH95660122	4	SCREW, M6x12
56	OH95660123	1	COVER, REAR
62	OJ04800115	1	PUMP HEAD, PRE-ASSY.
66	OH95660125	4	SCREW, M8x20
71	OH95660126	1	FLANGE, GAS ENGINE
79	OH9570	1	VALVE ASSY., THERMAL RELIEF

REF. #	Generac Part #	QTY	Repair Kits
A*	OJ04800110	1	KIT, VALVE
A*	OJ04800118	1	KIT, VALVE
B	OH95660111	1	KIT, PISTON
C	OH95660112	1	KIT, OIL SEALS
D	OH95660113	1	KIT, WATER SEALS
E	OH95660114	1	KIT, O-RINGS
F	OH95660115	1	KIT, SUPPORT RINGS

*If pump serial number is prior to 27635120428223994, use Valve Kit OJ04800110.

If pump serial number is equal or greater than 27635120428223994, use Valve Kit OJ04800118.

GENERAC®

Generac Power Systems, Inc.
 S45 W29290 Hwy. 59
 Waukesha, WI 53189
 1-888-GENERAC (1-888-436-3722)