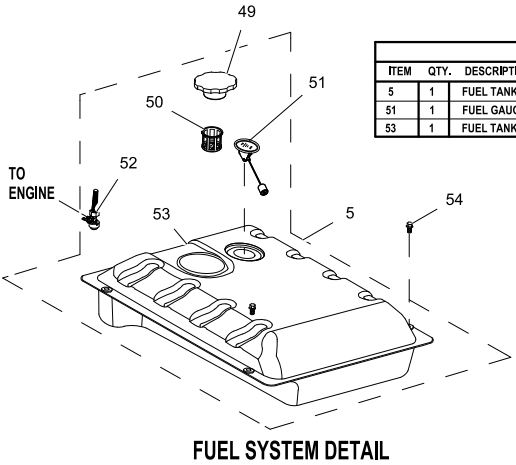


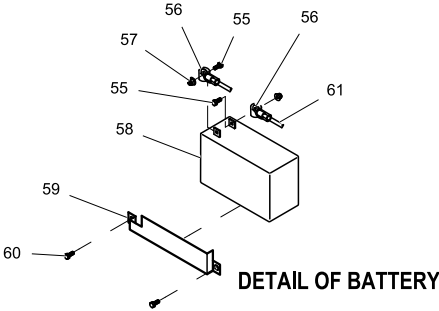
| ITEM | PART        | QTY. | DESCRIPTION                    |
|------|-------------|------|--------------------------------|
| 1    | 0H9756      | 1    | HANDLE GP                      |
| 2    | 0H9759      | 1    | HANDLE GRIP GP                 |
| 3    | 0G5442      | 1    | SNAP BUTTON - .437" DIA. HEAD  |
| 4    | 0H9760      | 1    | CAP, END NYLON BLACK           |
| 5    | SEE SHEET 2 | 1    | FUEL TANK ASSEMBLY GP          |
| 6    | 0H1411B     | 4    | RUBBER MOUNT,10.3 ID X 11 HGT  |
| 7    | 0H1610A     | 4    | INSERT, ANTI-CRUSH FOR TANKS   |
| 8    | 073144      | 1    | SCREW HHFC M8-1.25 X 45 G8.8   |
| 9    | 0H1781      | 2    | CHB M8-1.25 X 46MM LONG        |
| 10   | 0H9767      | 1    | HANDLE BRACKET GP LN           |
| 11   | 0H1782      | 9    | CAP NUT M8-1.25 BLACK ZINC     |
| 12   | 0480318B    | 4    | CLAMP HOSE BAND SPRING .38     |
| 13   | 0G9757A     | 1    | FUEL HOSE                      |
| 14   | 0G9914      | 1    | FUEL FILTER                    |
| 15   | 0G9757B     | 1    | FUEL HOSE                      |
| 16   | SEE TABLE 1 | 1    | ENGINE W/O MUFFLER             |
| 17   | 045770      | 1    | SCREW HHC M5-0.8 X 10 C8.8     |
| 18   | 0H9761      | 1    | ALTERNATOR SCROLL GP           |
| 19   | SEE SHEET 2 | 1    | CONTROL PANEL ASSEMBLY         |
| 20   | 0H9748      | 1    | PANEL RAIL C/PNL SIDE GP       |
| 21   | 0G8382      | 4    | SCREW PPPH #8-16 X .66" BZC    |
| 22   | 0H1780      | 6    | CURVED HEAD M8-1.25 X 41MM LNG |
| 23   | 039414      | 4    | SCREW HHC M8-1.25 X 35 C8.8    |
| 24   | 022129      | 4    | WASHER LOCK M8-5/16            |
| 25   | 022145      | 4    | WASHER FLAT 5/16-M8 ZINC       |
| 26   | 0H1783      | 4    | VIB MNT 35MM X 25.4 X M8-1.25  |
| 27   | 067989      | 8    | NUT HEX FL WHIZ M8-1.25        |
| 28   | 0H1114      | 1    | FOOT, BENT, GP5000-GP8000      |
| 29   | 0E9470      | 6    | SCREW HHFC M8-1.25 X 16 G8.8   |
| 30   | 0H1829      | 2    | VIB MNT 38.1 X 25.4 X M8-1.25  |
| 31   | 076340      | 1    | SCREW HHFC M6-1.0 X 16 G8.8    |
| 32   | 0G8753C     | 1    | WIRE ASSY GND ALT TO BASE      |
| 33   | 0A1658      | 1    | WASHER LOCK SPECIAL 1/4"       |
| 34   | 0J4534      | 1    | LUG, SOLDERLESS #2-#8          |
| 35   | SEE TABLE 1 | 1    | ASSEMBLY FRAME GP              |
| 36   | 045771      | 2    | NUT HEX M8-1.25 G8 CLEAR ZINC  |
| 37   | 0G9028      | 1    | GASKET, EXHAUST                |
| 38   | 0E9507B     | 2    | SCREW HHFC M8-1.25 X 25 W/M10  |
| 39   | 0J4535      | 1    | MANIFOLD EXHAUST GP5-7.5E      |
| 40   | 0J4691      | 1    | GASKET, EXHAUST, MFLR SIDE     |
| 41   | 0H9749      | 1    | PANEL RAIL BACK GP             |
| 42   | SEE TABLE 1 | 1    | ASSY MUFFLER GP                |
| 43   | 0G8542      | 1    | BRACKET, MUFFLER               |
| 44   | SEE SHEET 2 | 1    | ALTERNATOR, BRUSHED, VN        |
| 45   | 022304      | 2    | WASHER FLAT 1/2 ZINC           |
| 46   | 0D4999      | 2    | PIN COTTER 1/8 X 1-1/4 ZN PLT  |
| 47   | 0G8651      | 2    | WHEEL, INCH 9.5 DIA, PLASTIC   |
| 48   | 0H0204      | 2    | AXLE PIN, 1/2"X 4" , 3/4" HEAD |

| TABLE 1 |      |                    |          |          |          |          |          |          |
|---------|------|--------------------|----------|----------|----------|----------|----------|----------|
| ITEM    | QTY. | DESCRIPTION        | 5000W PS | 5500W PS | 6500W PS | 6500W ES | 7500W PS | 7500W ES |
| 16      | 1    | ENGINE W/O MUFFLER | 0G8442   | 0G8442   | 0G8442   | 0H9198   | 0J0062   | 0H9838   |
| 35      | 1    | FRAME              | 0H9762   | 0H9762   | 0H9762   | 0J0246   | 0J0137   | 0J0250   |
| 42      | 1    | ASSY MUFFLER GP    | 0H9763   | 0H9763A  | 0H9763A  | 0H9763A  | 0H9763B  | 0H9763B  |

NOTE: PS = PULL START  
 ES = ELECTRIC START

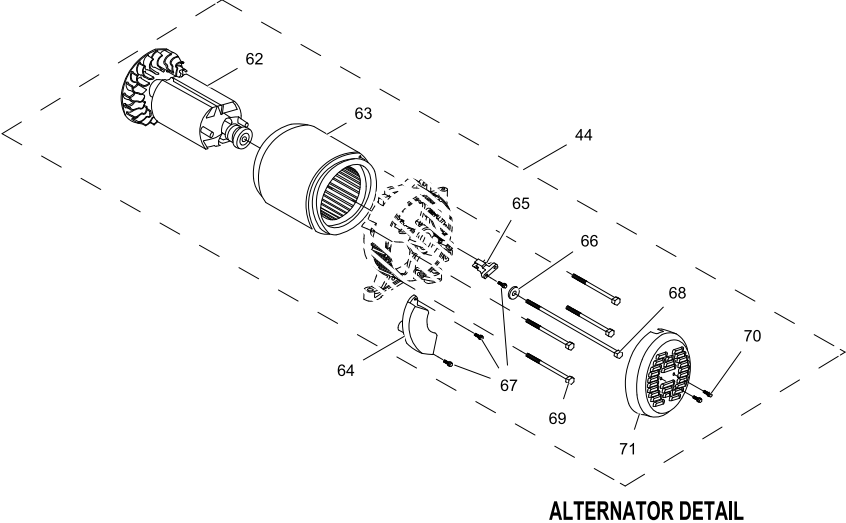


| FUEL SYSTEM TABLE |      |                       |          |          |          |          |          |          |
|-------------------|------|-----------------------|----------|----------|----------|----------|----------|----------|
| ITEM              | QTY. | DESCRIPTION           | 5000W PS | 5500W PS | 6500W PS | 6500W ES | 7500W PS | 7500W ES |
| 5                 | 1    | FUEL TANK ASSEMBLY GP | 0H7510   | 0H7510   | 0H7510   | 0H7510   | 0H7591   | 0H7591   |
| 51                | 1    | FUEL GAUGE            | 0H9005   | 0H9005   | 0H9005   | 0H9005   | 0H9005A  | 0H9005A  |
| 53                | 1    | FUEL TANK WELDMENT    | 0H7509   | 0H7509   | 0H7509   | 0H7509   | 0H7590   | 0H7590   |



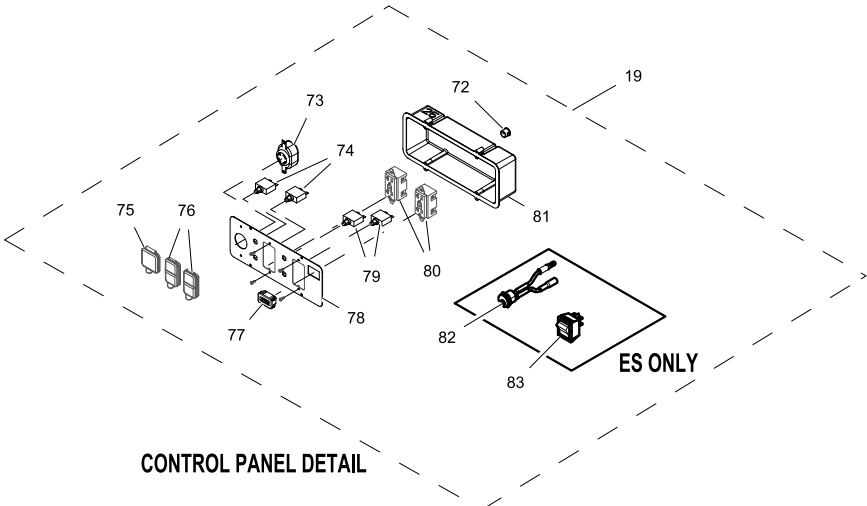
**DETAIL OF BATTERY**

| ALTERNATOR TABLE |      |                         |         |         |         |         |
|------------------|------|-------------------------|---------|---------|---------|---------|
| ITEM             | QTY. | DESCRIPTION             | 5000W   | 5500W   | 6500W   | 7500W   |
| 44               | 1    | ASSY ALTERNATOR         | 0G9899  | 0J4062  | 0H1281  | 0H9209  |
| 62               | 1    | ASSY ROTOR W/FAN VN     | 0J4969  | 0J4970  | 0J4971  | 0J4972  |
| 63               | 1    | ASSY STATOR VN          | 0J4973  | 0J4974  | 0J4975  | 0J4976  |
| 64               | 1    | AVR                     | 0H2579A | 0H2579B | 0H2579B | 0H2579B |
| 68               | 1    | SCREW HHC M10-1.5 ROTOR | 0J4981  | 0J4982  | 0J4982  | 0J4982  |
| 69               | 4    | SCREW HHC M6-1.0 STATOR | 0J4978  | 0J4979  | 0J4979  | 0J4980  |



**ALTERNATOR DETAIL**

| CONTROL PANEL TABLE |      |                                |                    |                    |                    |                    |                    |                    |
|---------------------|------|--------------------------------|--------------------|--------------------|--------------------|--------------------|--------------------|--------------------|
| ITEM                | QTY. | DESCRIPTION                    | 5000W PS           | 5500W PS           | 6500W PS           | 6500W ES           | 7500W PS           | 7500W ES           |
| 19                  | 1    | CONTROL PANEL                  | 0H9775D            | 0H9775D            | 0H9775B            | 0H9775E            | 0H9775B            | 0H9775E            |
| 72                  | -    | SNAP BUSHING.75 OPEN           | 0A5489<br>(QTY: 1) | 0A5489<br>(QTY: 1) | 0A5489<br>(QTY: 1) | 0A5489<br>(QTY: 2) | 0A5489<br>(QTY: 1) | 0A5489<br>(QTY: 2) |
| 74                  | 2    | BREAKER 1P 120V CUL/CSA JOEMEX | 0H0265D            | 0H0265D            | 0H0265D            | 0H0265E            | 0H0265E            | 0H0265E            |
| 78                  | 1    | FACE PLATE                     | 0J4536             | 0J4536             | 0J4536             | 0J4536A            | 0J4536             | 0J4536A            |
| 81                  | 1    | BOX                            | 0G9756             | 0G9756             | 0G9756             | 0G9756A            | 0G9756             | 0G9756A            |



**CONTROL PANEL DETAIL**

| ITEM | PART                    | QTY. | DESCRIPTION                    |
|------|-------------------------|------|--------------------------------|
| 49   | 0H1325A                 | 1    | FUEL CAP,VENTED, CHROME        |
| 50   | 0H1326                  | 1    | FILTER, FUEL                   |
| 51   | See FUEL SYSTEM TABLE   | -    | FUEL GAUGE                     |
| 52   | 0J0974                  | 1    | VALVE FUEL SHUTOFF             |
| 53   | See FUEL SYSTEM TABLE   | -    | FUEL TANK WELDMENT             |
| 54   | 0E9507C                 | 4    | SCREW HHFC M8-1.25 X 20 W/M10  |
| 55   | 052618                  | 2    | SCREW HHC M5-0.8 X 12 C8.8     |
| 56   | 0J4157A                 | 1    | WIRE ASSY,BATT NEG,GRN         |
| 57   | 0H3535                  | 2    | NUT FLANGE M5-0.8 NYLOCK       |
| 58   | 0G9449                  | 1    | BATTERY 12V10AH SEALED         |
| 59   | 0J0694                  | 1    | BRACKET BATTERY GP 5.5-7.5E    |
| 60   | 0J4033                  | 2    | SCREW HHFC M6-1.0 X 14         |
| 61   | 0J4157B                 | 1    | WIRE ASSY,BATT POS,RED         |
| 62   | See ALTERNATOR TABLE    | -    | ASSY ROTOR W/FAN VN            |
| 63   | See ALTERNATOR TABLE    | -    | ASSY STATOR VN                 |
| 64   | See ALTERNATOR TABLE    | -    | AVR                            |
| 65   | 0H0919                  | 1    | ASSEMBLY,BRUSH VN              |
| 66   | 070264                  | 1    | WASHER FLAT M10                |
| 67   | 0J4968                  | 4    | SCREW HHFC M5-0.8 X 16         |
| 68   | See ALTERNATOR TABLE    | -    | SCREW HHC M10-1.5 ROTOR        |
| 69   | See ALTERNATOR TABLE    | -    | SCREW HHC M6-1.0 STATOR        |
| 70   | 0J4967                  | 2    | SCREW HHFC M5-0.8 X 12         |
| 71   | 0H3049                  | 1    | COVER ALTERNATOR INLET 5-7KW   |
| 72   | See CONTROL PANEL TABLE | -    | SNAP BUSHING .75 OPEN          |
| 73   | 0G8758                  | 1    | OUTLET 30A 120/250V SPCGR      |
| 74   | See CONTROL PANEL TABLE | -    | BREAKER 1P 120V CUL/CSA JOEMEX |
| 75   | 0G9391                  | 1    | COVER,30A 120/240V             |
| 76   | 0G9392                  | 2    | COVER, 20A 120V GFCI/DUPLEX    |
| 77   | 0G8321                  | 1    | HOUR METER W/ALERTS AC/DC      |
| 78   | See CONTROL PANEL TABLE | 1    | FACE PLATE GP PORTABLE         |
| 79   | 0H0265C                 | 2    | CB 20A 1P 120V CUL/CSA JOEMEX  |
| 80   | 0D4968                  | 2    | OUTLET 20A 120V DPLX 6342BK    |
| 81   | See CONTROL PANEL TABLE | -    | RECPTACLE PANEL STORM-GEN      |
| 82   | 0J4959                  | 1    | CHARGING JACK                  |
| 83   | 0J0251A                 | 1    | SW RUN-STOP                    |