



# Parts Manual

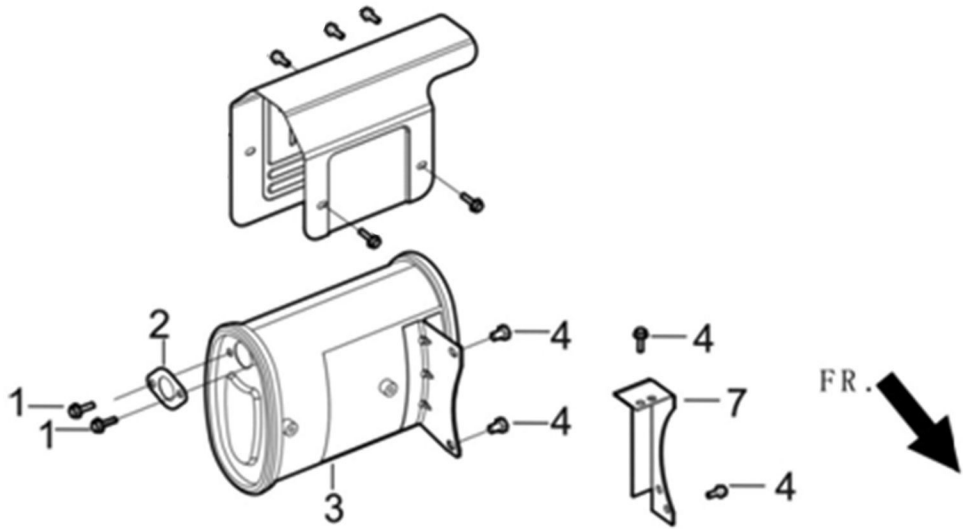
**GP5500kW 389CC** (Model 0059395)

First unit begins with serial number 7026245E

#### **NOTICE!**

The information in this manual is known to be accurate as of the date of release shown on the cover. However, engineering changes can occur without notice. To obtain the proper parts, please be sure to use the serial number of the unit being serviced when ordering from this manual. Always refer to any parts notes and changes before ordering. All other parts not shown in this manual can be found on Generac's exploded view drawings online on GENservice at [www.generac.com](http://www.generac.com).

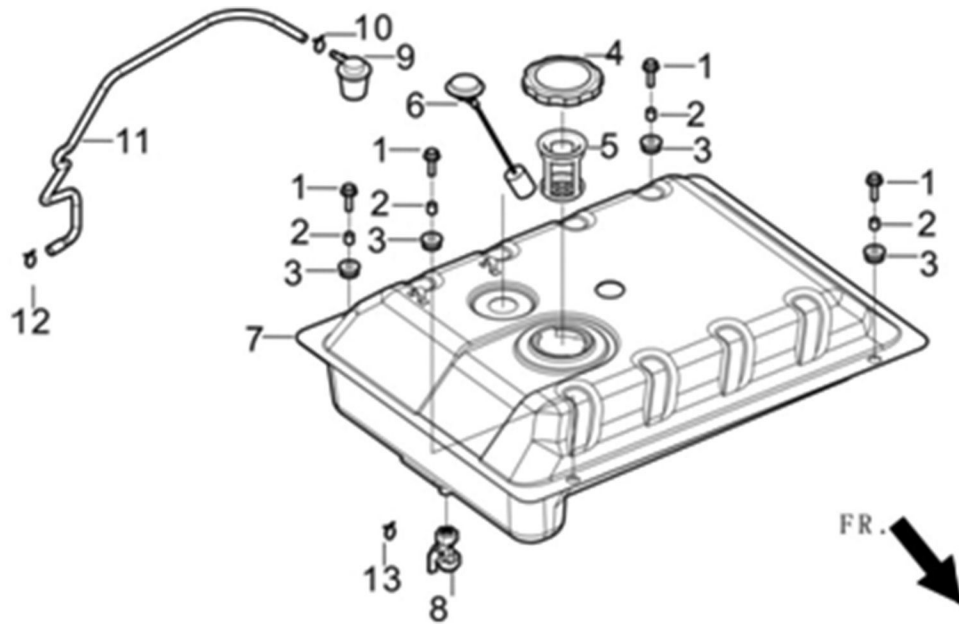
Muffler



Item	Part #	Qty	Description
1	072686	2	BOLT
2	0J9162001	1	GASKET, EXHAUST OUTLET
3	0J9162002	1	MUFFLER ASSY.

Item	Part #	Qty	Description
4	0E9507A	4	BOLT
7	0G8542	1	BRACKET, MUFFLER

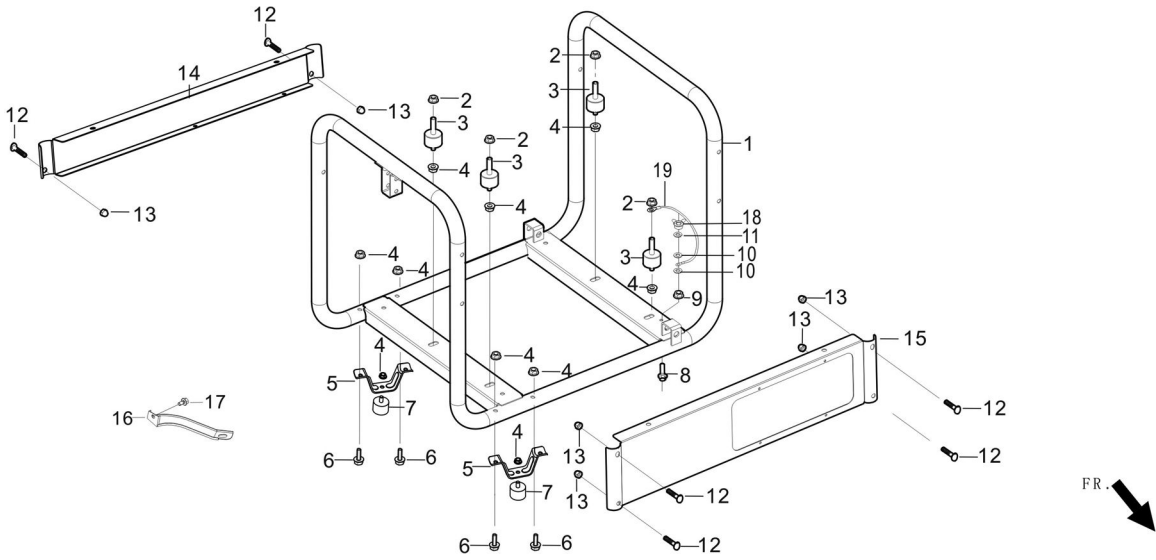
Fuel Tank



Item	Part #	Qty	Description
1	0E9507C	4	BOLT
2	0H1610A	4	ANTI-CRUSH 10.8OD 9ID 10LG
3	0H1411B	4	RUBBER MOUNT,10.3 ID X 11 HGT
4	0G84300105	1	FUEL CAP VENTED
5	0H1326	1	FILTER, FUEL
6	0H9005	1	FUEL GAUGE 130LG

Item	Part #	Qty	Description
7	0H7510A	1	TANK, FUEL
8	0J0974	1	VALVE FUEL SHUTOFF
9	0J7921	1	ASSEMBLY ROV
10	0J58620206	1	CLAMP
11	0J9162003	1	ROV HOSE
12	0J9162004	1	CLAMP
13	048031B	1	CLAMP HOSE BAND SPRING .38

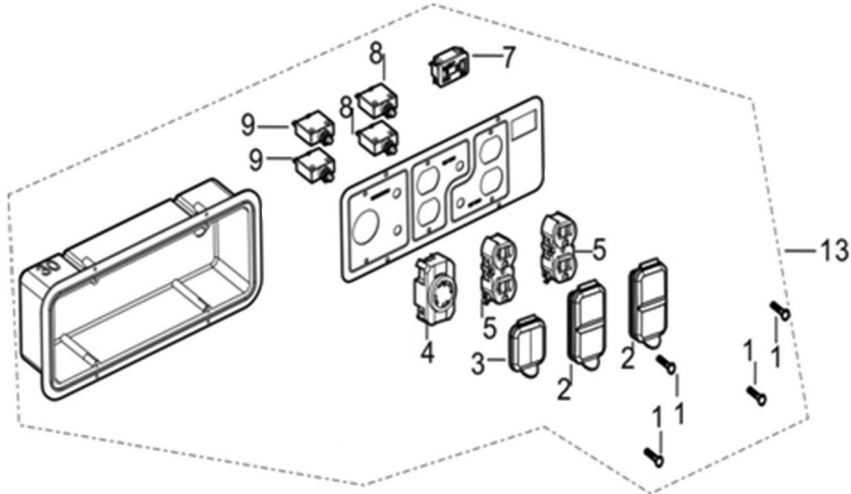
Frame



Item	Part #	Qty	Description
1	0J9162009	1	ASSEMBLY FRAME GP PS
2	0J4029	4	NUT
3	0J6242	4	VIB MNT 25.5 X 36.0 X M8/ M10
4	067989	10	NUT
5	0J9162026	2	FRAME FOOT GP5-7.5KW
6	0J9162005	2	BOLT
7	0H1829	2	VIB MNT 38.1 X 25.4 X M8- 1.25
8	0J9162006	1	BOLT
9	0J9162007	1	NUT

Item	Part #	Qty	Description
10	0J9162008	2	WASHER FLAT
11	0J9162017	1	SPRING WASHER
12	0H1780	6	BOLT
13	0H1782	6	NUT
14	0H9749AST03	1	PANEL RAIL BACK GP
15	0J63610ST03	1	PANEL RAIL CPNL SIDE GP
16	0J58620162	1	SUPPORT AIR CLEANER
17	0J58620183	1	BOLT
18	0J9162010	1	NUT
19	0J9162018	1	EARTHING LUG

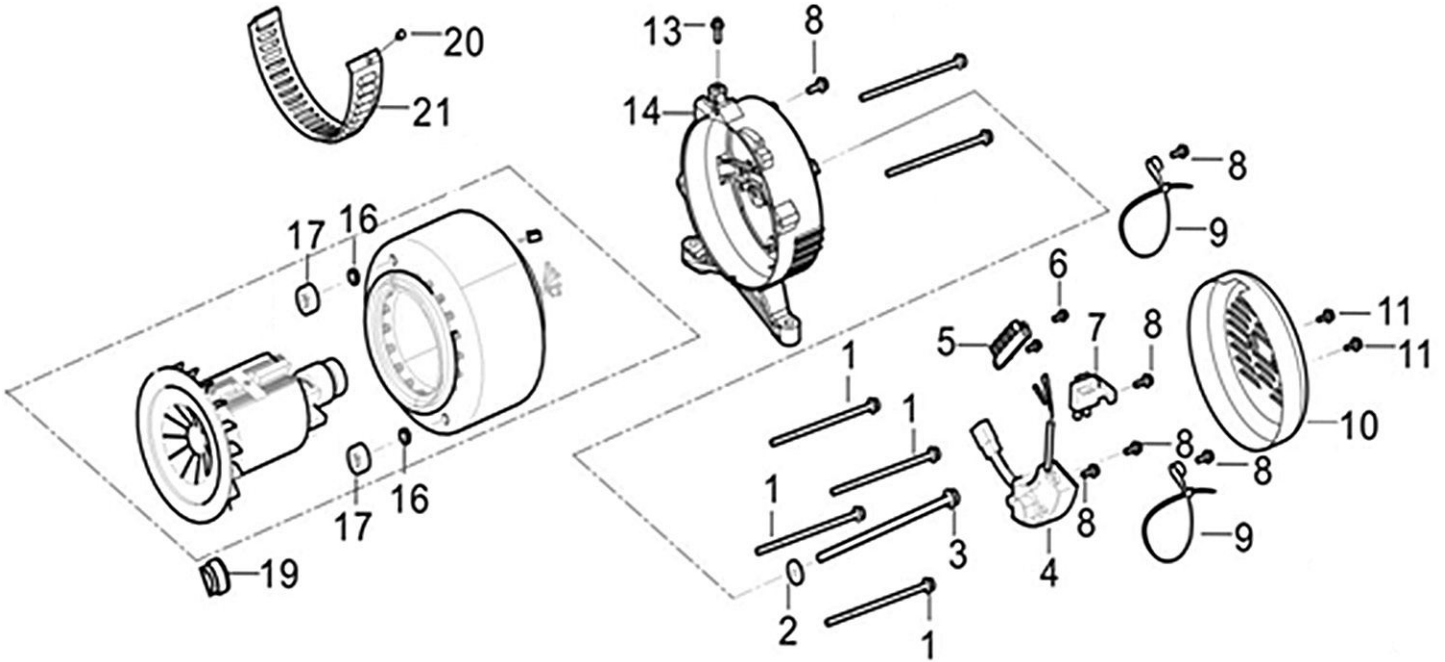
Panel



Item	Part #	Qty	Description
1	0G8382	4	SCREW
2	0G9392	2	COVER, 20A 120V GFCI/ DUPLEX
3	0G9391	1	COVER,30A 120/240V
4	0G8758	1	OUTLET 30A 120/250V SPCGR
5	0D4968	2	OUTLET 20A 120V DPLX 6342BK

Item	Part #	Qty	Description
7	0G8321	1	HOUR METER W/ALERTS AC/DC
8	0H0265C	2	CB 20A 1P CUL/CSA
9	0H0265D	2	CB 25A 1P CUL/CSA
13	0J6378A	1	PANEL SUBASSEMBLY, CONTROL
14	0G9756	1	RECP TACLE PANEL STORM-GEN

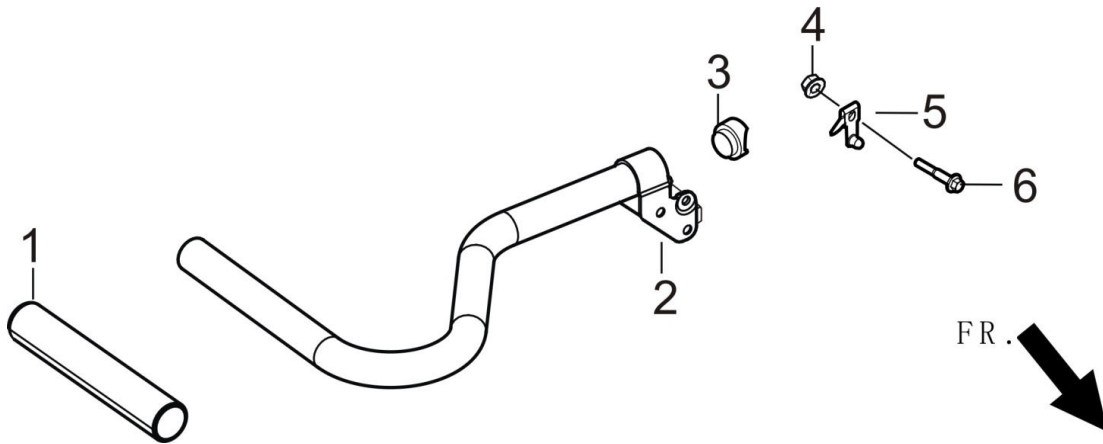
Rotor/Stator



Item	Part #	Qty	Description
1	0J9162011	4	BOLT STATOR
2	0J9162012	1	WASHER
3	0J9162013	1	BOLT ROTOR
4	0H2579B	1	REGULATOR, VOLTAGE
5	0J58620175	1	BLOCK, TERMINAL
6	0J9162014	2	BOLT
7	0J9162015	1	BRUSH SUBASSEMBLY, CARBON
8	0J9162016	5	BOLT
9	0J58620208	2	BAND
10	0J9162019	1	COVER ALTERNATOR INLET 5-7KW

Item	Part #	Qty	Description
11	0J9162020	2	BOLT
13	0J9162022	1	BOLT
14	0J9162027	1	BRACKET, MOTOR
16	0J9162023	2	WASHER
17	0J58620176	2	NUT STATOR
19	0J58620172	1	STOPPER, MOTOR RIGHT COVER
20	0J9162024	1	BOLT
21	0J9162025	1	SCROLL ALTERNATOR GP
NOT SHOWN	0J8363	1	ASSY ALTERNATOR 5500W BT AL/AL

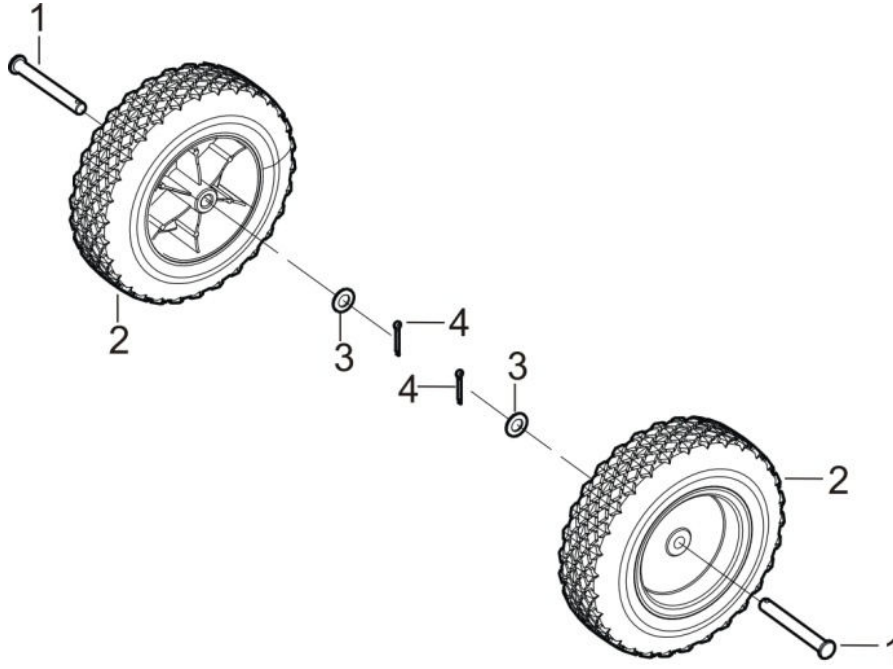
Handle



Item	Part #	Qty	Description
1	0G8442C113	1	HANDLE GRIP GP
2	0J73950ST15	1	TUBE, HANDLE
3	0J7349	1	BUMPER HANDLE GP

Item	Part #	Qty	Description
4	0H1782	1	NUT
5	0J6374	1	PIN
6	0H1779	1	BOLT

Wheels



Item	Part #	Qty	Description
1	0H0204	2	AXLE PIN, 1/2"X 4", 3/4" HEAD
2	0K6011	2	WHEEL, INCH 9.5 DIA, PLASTIC

Item	Part #	Qty	Description
3	022304	2	WASHER FLAT
4	0D4999	2	PIN