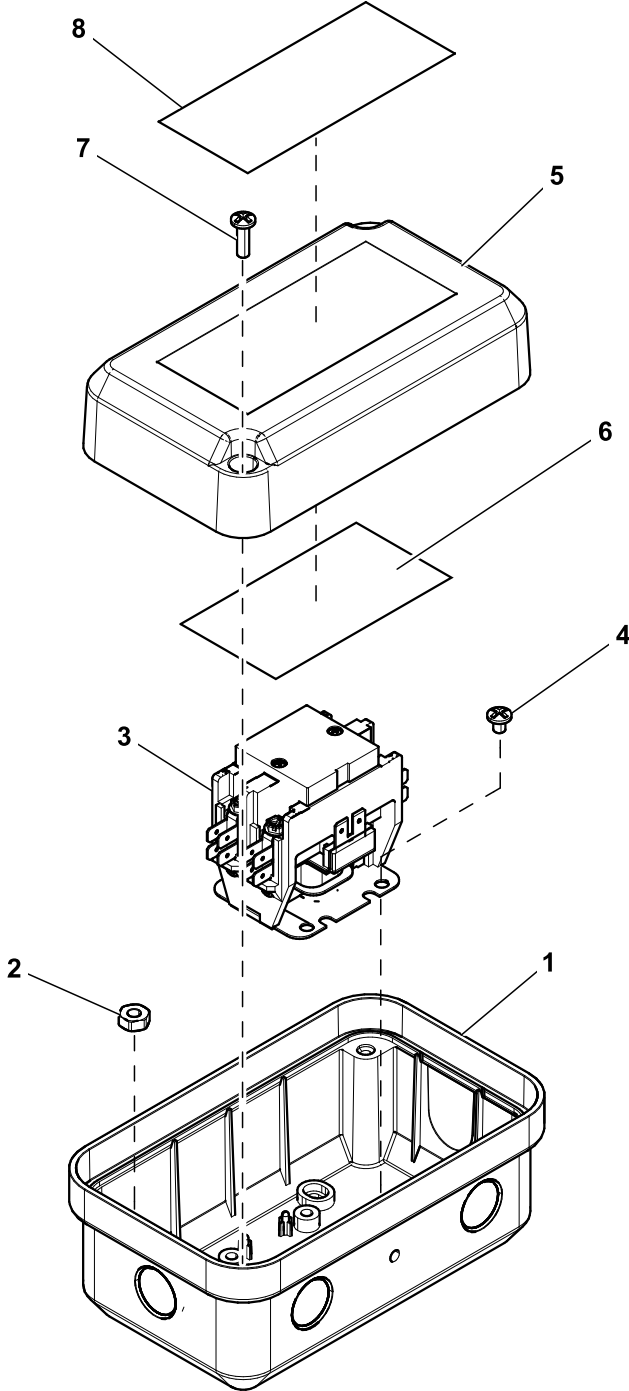


GROUP A



EXPLODED VIEW: EV DLM MODULE ASSEMBLY

DRAWING #: 0H7650A

GROUP A

APPLICABLE TO:

| ITEM | PART# | QTY. | DESCRIPTION |
|-------------|--------------|-------------|-------------------------------|
| 1 | 0H7377 | 1 | ASSY BOTTOM COVER DLM |
| 2 | 085889 | 1 | NUT HEX 1/4-20 SS |
| 3 | 0J0603 | 1 | CONTACTOR, 2P 40A 120V COIL |
| 4 | 0H7645 | 4 | SCREW PPPH #10 X 1/4"LG |
| 5 | 0H7649 | 1 | COVER TOP CONTACTOR BOX DLM |
| 6 | 0J1451 | 1 | DECAL DLM MODULE SERIAL |
| 7 | 0H7646 | 2 | SCREW PPPH #10 X 5/8"LG |
| 8 | 0H8235 | 1 | DECAL DLM MODULE |
| (1)9 | 028779 | 3 | LUG RNGTNG INS 16-14X1/4X.477 |
| (1)10 | 028787 | 3 | LUG RNGTNG INS 12-10X1/4X.598 |
| (1)11 | 064312 | 5 | LUG DIS 16-14AWG F-FST BR/TIN |

(1) NOT SHOWN