

ITEM	PART	QTY.	DESCRIPTION
1	0H7504A	1	ASSY FUEL TANK 9 GAL XP CARB
2	0G9029	4	SCREW TTH M8-1.25 X 20
3	0G4933	16	SCREW SWT 1/4-20 X 5/8 W/W
4	0H8149	1	PANEL SIDE XP RAW
5	052677	2	WASHER NYLON .50 X .87 X .06
6	0H7950	2	BUSHING FLANGED HEAD
7	0K8086	2	COTTER HAIRPIN .078" X 1.188"
8	0H7955	1	ASSY LIFTING BEAM XP6.5-8 RAW
9	090239	1	GASKET, EXHAUST
10	0J1708	1	MANIFOLD 410CC
11	0J3315	2	SCREW SHC M8-1.25X25 C8.8 ZP
12	040976	2	SCREW SHC M8-1.25 X 20 C12.9
13	0C4138	1	GASKET, EXHAUST PORT
14	0H6523	1	ASSY MUFFLER GT1H50
15	0G3730	5	SCREW SHC M8-1.25 X 20 SEMS

ITEM	PART	QTY.	DESCRIPTION
16	070008	1	WASHER FLAT M8 SS
17	0J1075	1	WLDMNT MTG MUFFLER ALT SIDE
18	0J2953	1	SCREW HHFC M6-1X25 8.8 W/PATCH
19	030209	1	SCREW HHFC 5/16-24 X 1-1/4 G5
20	022129	1	WASHER LOCK M8-5/16
21	0G9832	1	BRACKET, MOUNTING, ALT 7KW
22	022511	3	SCREW HHC 3/8-16 X 1-1/4 G5
23	046526	3	WASHER LOCK M10
24	0H8364	1	ENGINE GH410 XP 2010 IDL CNTRL
25	0F5579	1	SCREW HHC SHLDR M5-0.8X20 G8.8
26	0E4190	1	CLAMP, 3/16" COATED CABLE
27	0F7969	10	NUT HEX FL WHHZ M8-1.25
28	045771	3	NUT HEX M8-1.25 G8 CLEAR ZINC
29	0742600195	1	WIRE ASSY FRAME TO BATT-NEG
30	070006	1	WASHER LOCK M8 SS
31	084508A	2	VIBRATION MNT 45 ANGLE 65 DURO
32	057821	1	SCREW HHC M8-1.25 X 40 C8.8
33	081990	2	SCREW SHC M8-1.25 X 40 C8.8
34	085651	2	VIB MNT 25 X 31.8 X M8-1.25
35	0H8083	1	WELD CRADLE ALT END RAW
36	0G8590A	2	CORNER SUPPORT - OUTER XP PORT
37	0G8590B	2	CORNER SUPPORT - INNER XP PORT
38	0H8013	8	SCREW HHFC M8-1.25X60 C8.8 ZP
39	0G8584	4	BRACKET END PANEL
40	0H8152	1	PANEL END XP RAW
41	0G9035A	1	CORNER HANDLE SUPT-LFT INNER
42	0G9035B	1	CORNER HANDLE SUPT-RFT OUTER
43	0G9093	2	SCREW SHSH M8-1.25 X 40
44	0H8399	1	WELD END PANEL XP RAW
45	0G8023H	1	BATTERY CHARGER 13.4VDC 2.5A
46	0H8401	1	BRKT HOLD DOWN BATT CHRGR
47	0G6392	4	BOOT, VINYL STARTER-SOLENOID
48	089338	2	NUT HEX LOCK 1/4-20 NY INLS
49	086729	1	CONTACTOR, STARTER SOLENOID
50	022129	1	NUT HEX LOCK #8-32 W/NS BR5
51	0E3388	9	NUT HEX FL WHZ M6-1.0
52	0H8168	1	WELD HDL H-STYLE FOLD DOWN RAW
53	0H8644	2	GRIP HANDLE FOAM
54	0G9034B	1	CORNER HANDLE SUPT-RT OUTER
55	0G9034A	1	CORNER HANDLE SUPT-RT INNER
56	0K8665	1	WELD CRADLE ENGINE END RAW
57	0K6152	2	CURVED HEAD CL. VIS F/W
58	0C5786	1	VALVE, FUEL SHUT OFF
59	0H8205	1	MTG FUEL VALVE RETAINER
60	0G9560B	1	CABLE CHOKE PORT NOM 465
61	0G9549	1	SWITCH SPDT (ON)-OFF-ON 20A
62	0G9449	1	BATTERY 12V10AH SEALED
63	0K8523	2	FOOT ASSY XP
64	0H1779	4	SCREW HHFC M8-1.25 X 45
65	0J1522	4	NUT FL WHZ M8-1.25
66	0G5737	4	PLUG PLASTIC 0.312
67	0L2176	2	SCREW HHSD PREMIUM 1/4-14X1 BZ
68	0G3110	1	SCREW RHHT M6-1.0 X 25 ZINC
69	055414	1	LUG SLDLSS #2-#8 X 17/64 CU
70	0742600194	1	GRND WIRE PORT BRG CARR-FRAME
71	0A1658	1	WASHER LOCK SPECIAL 1/4"
72	0H6130	1	WELD PANEL SIDE C-PNL XP RAW
73	0H3443	2	COTTER HAIRPIN 2.56 X .80
74	0H0653	2	WASHER FLAT 5/8 ID X 0.039" THK
75	0K8150	2	10" WHEEL OFFSET HUB
76	022247	2	WASHER FLAT 5/8 ZINC
77	0K8672	1	AXLE 15.87 DIA X 684 CLR ZINC
78	0J3708	1	WLDMNT SUPPORT MUFFLER
79	0J3826	1	J-BOLT MUFFLER M8-1.25
80	052558	1	NUT TOP LOCK FL M8-1.25
81	0J4968	3	SCREW HHFC M5-0.8 X 16
82	0J4967	2	SCREW HHFC M5-0.8 X 12
83	0H3049	1	COVER ALTERNATOR INLET 5-7KW
84	0912970099	1	WIRE, JUMPER, SOL COIL-CONTACT
85	0J0772	1	CLIP SNAP-IN WIRE MANAGEMENT
86	048031G	2	CLAMP HOSE BAND .41
87	0H3455E	1	FUEL HOSE, 160 MM LONG
88	0J1757	1	WLDMNT MTG MUFFLER HEAT SHIELD (6500W UNITS)
89	0J1076	1	WLDMNT MTG MUFFLER SIDE (8000W UNITS)
89	0H8886	1	ALT 6500W SAE BT COP-AL VN (6500W UNITS)
89	0H8887	1	ALT 8000W SAE BT COP-AL VN (8000W UNITS)
90	0H2579B	1	AVR 5.5-7.5KW VISION ALT (6500W UNITS)
90	0H2579C	1	AVR 8.0KW VISION ALTERNATOR (8000W UNITS)
91	0H8919	1	ASSEMBLY BRUSH VISION (6500W UNITS & 8000W UNITS)
92	0K2626	1	ASSY C-PNL 6.5KW XP (6500W UNITS)
92	0J2412	1	ASSY C-PNL XP 8KW (8000W UNITS)
93	0J0087	2	AXLE MNT RAW
94	0J3694	4	SCREW HHFC M6-1X50 8.8 W/PATCH
95	0A5992	2	WASHER LOCK INT M8 SS

SHEET 1 OF 2

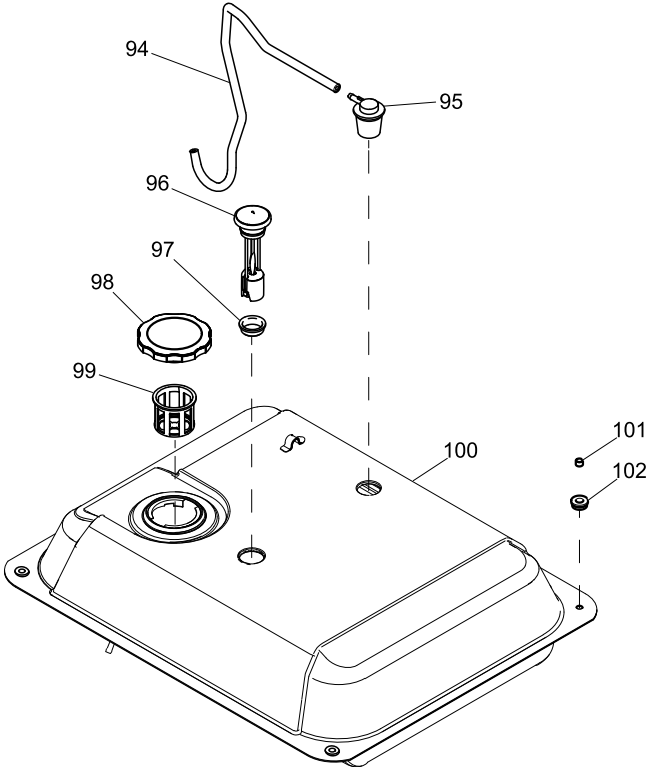
FIRST USE	005930-3	EXPLODED VIEW	EV GENERATOR 410 PORTABLE XP
APPD	KJB	MFG	GM
DATE	4-8-2011	CHKD	KC
		OWN	KRL
		DATE	10-18-2010

**GENERAC**

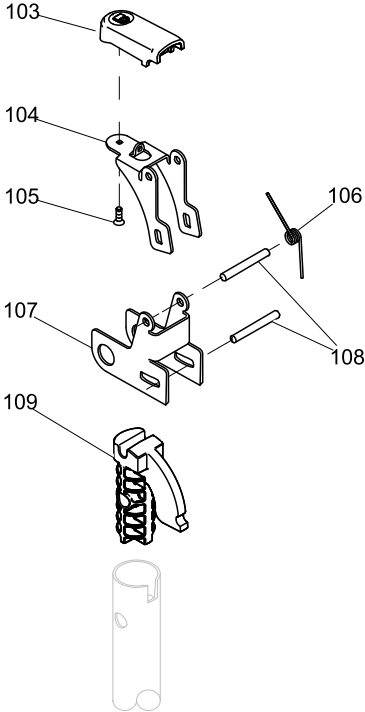
Date	11/2/15
Revision	K4326-J

Page 1 of 4

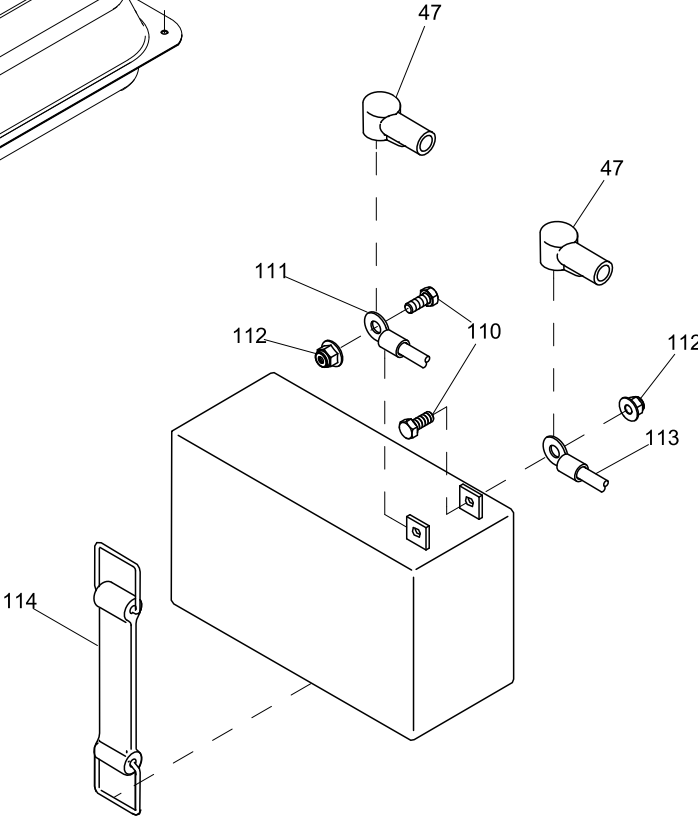
Exploded View: EV GENERATOR 410 PORTABLE XP	DATE	4-8-2011	DATE	4-8-2011	DATE	4-7-2011	DATE	10-18-2010	DWG. NO.	0J2386	REV	J
---	------	----------	------	----------	------	----------	------	------------	----------	--------	-----	---



**DETAIL OF GAS TANK**



**DETAIL OF HANDLE LOCK**



**DETAIL OF BATTERY**

**EXPLODED VIEW: EV GENERATOR 410 PORTABLE XP**

**DRAWING #: 0J2386**

**GROUP EV**

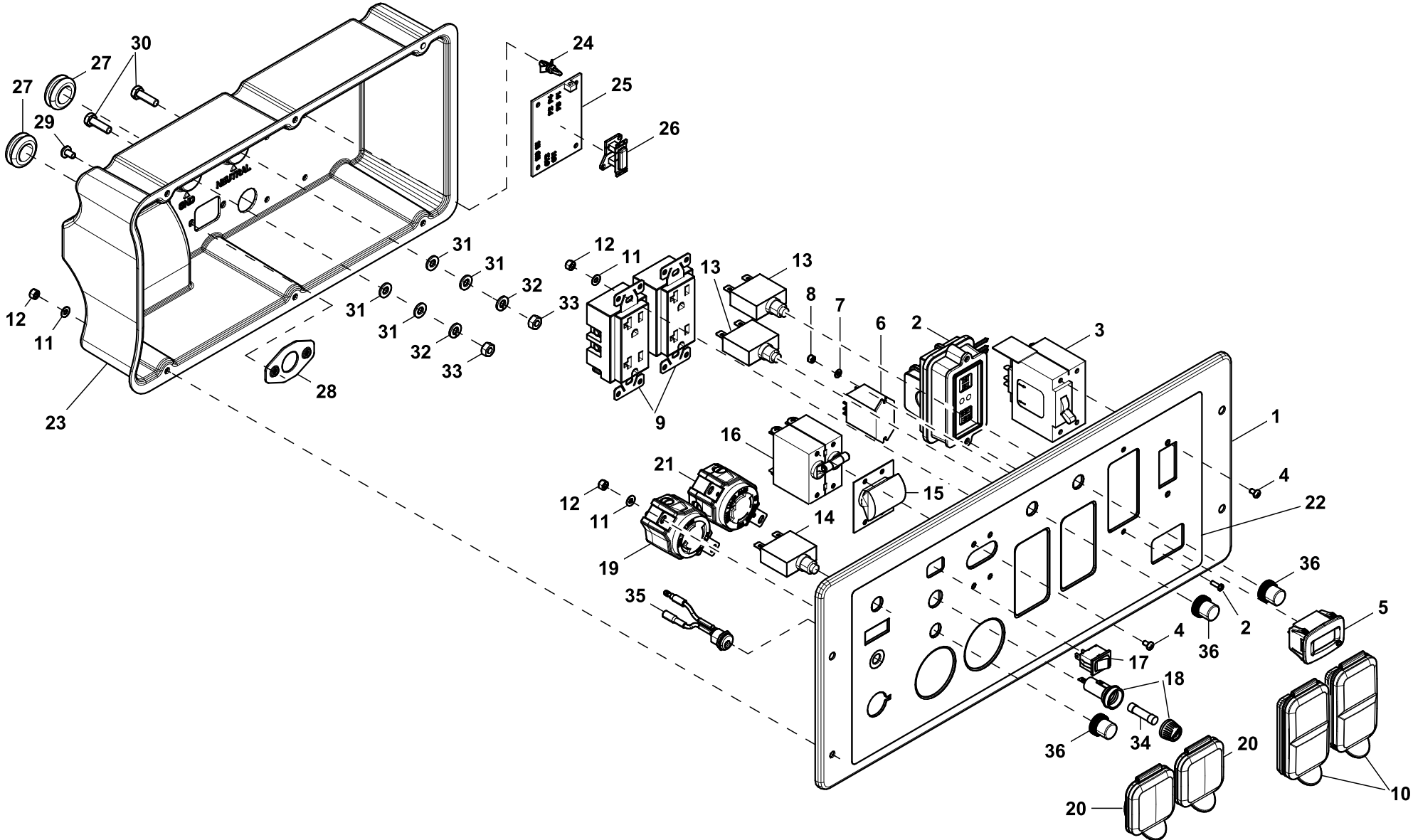
ITEM	PART#	QTY.	DESCRIPTION
		PAGE 1	
1	0H7504A	1	ASSY FUEL TANK 9 GAL XP CARB
2	0G9029	4	SCREW TTH M8-1.25 X 20
3	0G4933	16	SCREW SWT 1/4-20 X 5/8 W/W
4	0H8149	1	PANEL SIDE XP RAW
5	052677	2	WASHER NYLON .50 X .87 X .06
6	0H7950	2	BUSHING,FLANGED HEAD
7	0K8086	2	COTTER HAIRPIN .078" X 1.188"
8	0H7955	1	ASSY LIFTING BEAM XP6.5-8 RAW
9	090239	1	GASKET, EXHAUST
10	0J1708	1	MANIFOLD 410CC
11	0J3315	2	SCREW SHC M8-1.25X25 C8.8 ZP
12	040976	2	SCREW SHC M8-1.25 X 20 C12.9
13	0C4138	1	GASKET,EXHAUST PORT
14	0H6623	1	ASSY MUFFLER GTH530
15	0G3730	5	SCREW SHC M8-1.25 X 20 SEMS
16	070008	1	WASHER FLAT M8 SS
17	0J1075	1	WLDMNT MTG MUFFLER ALT SIDE
18	0J2953	1	SCREW HHFC M6-1X25 8.8 W/PATCH
19	030209	1	SCREW HHC 5/16-24 X 1-1/4 G5
20	022129	1	WASHER LOCK M8-5/16
21	0G9832	1	BRACKET, MOUNTING, ALT 7KW
22	022511	3	SCREW HHC 3/8-16 X 1-1/4 G5
23	046526	3	WASHER LOCK M10
24	0H8364	1	ENGINE GH410 XP 2010 IDL CNTRL
25	0F5579	1	SCREW HHC SHLDR M5-0.8X20 G8.8
26	0E4190	1	CLAMP, 3/16" COATED CABLE
27	067989	10	NUT HEX FL WHIZ M8-1.25
28	045771	3	NUT HEX M8-1.25 G8 CLEAR ZINC
29	0742600195	1	WIRE ASSY FRAME TO BATT-NEG
30	070006	1	WASHER LOCK M8 SS
31	084508A	2	VIBRATION MNT 45 ANGLE 65 DURO
32	057821	1	SCREW HHC M8-1.25 X 40 C8.8
33	081990	2	SCREW SHC M8-1.25 X 40 C8.8
34	085651	2	VIB MNT 25 X 31.8 X M8-1.25
35	0H8083	1	WELD CRADLE ALT END RAW
36	0G8590A	2	CORNER SUPPORT - OUTER XP PORT
37	0G8590B	2	CORNER SUPPORT - INNER XP PORT
38	0H8013	8	SCREW HHFC M8-1.25X60 C8.8 ZP
39	0G8584	4	BRACKET END PANEL
40	0H8152	1	PANEL END XP RAW
41	0G9035A	1	CORNER HANDLE SUPT-LFT INNER
42	0G9035B	1	CORNER HANDLE SUPT-LFT OUTER
43	0G9093	2	SCREW SHSH M8-1.25 X 40
44	0H8399	1	WELD END PANEL XP RAW
45	0G8023H	1	BATTERY CHARGER 13.4VDC 2.5A
46	0H8401	1	BRKT HOLD DOWN BATT CHRGR
47	0G6392	4	BOOT, VINYL STARTER-SOLENOID
48	089338	2	NUT HEX LOCK 1/4-20 NY INS
49	086729	1	CONTACTOR, STARTER SOLENOID
50	027529	2	NUT HEX LOCK #8-32 NY INS BRS
51	0E8388	9	NUT HEX FL WHIZ M6-1.0
52	0H8168	1	WELD HDL H-STYLE FOLD DOWN RAW
53	0H8644	2	GRIP HANDLE FOAM
54	0G9034A	1	CORNER HANDLE SUPT-RT OUTER
55	0G9034B	1	CORNER HANDLE SUPT-RT INNER
56	0K8665	1	WELD CRADLE ENGINE END RAW
57	0K8152	2	CURVED HEAD CLEVIS PIN
58	0C5786	1	VALVE, FUEL SHUT OFF
59	0H8205	1	MTG FUEL VALVE RETAINER
60	0G9560B	1	CABLE CHOKE PORT NOM 465
61	0G9549	1	SWITCH SPDT (ON)-OFF-ON 20A
62	0G9449	1	BATTERY 12V10AH SEALED
63	0K8523	2	FOOT ASSY XP
64	0H1779	4	SCREW HHFC M8-1.25 X 45

**EXPLODED VIEW: EV GENERATOR 410 PORTABLE XP**

**DRAWING #: 0J2386**

**GROUP EV**

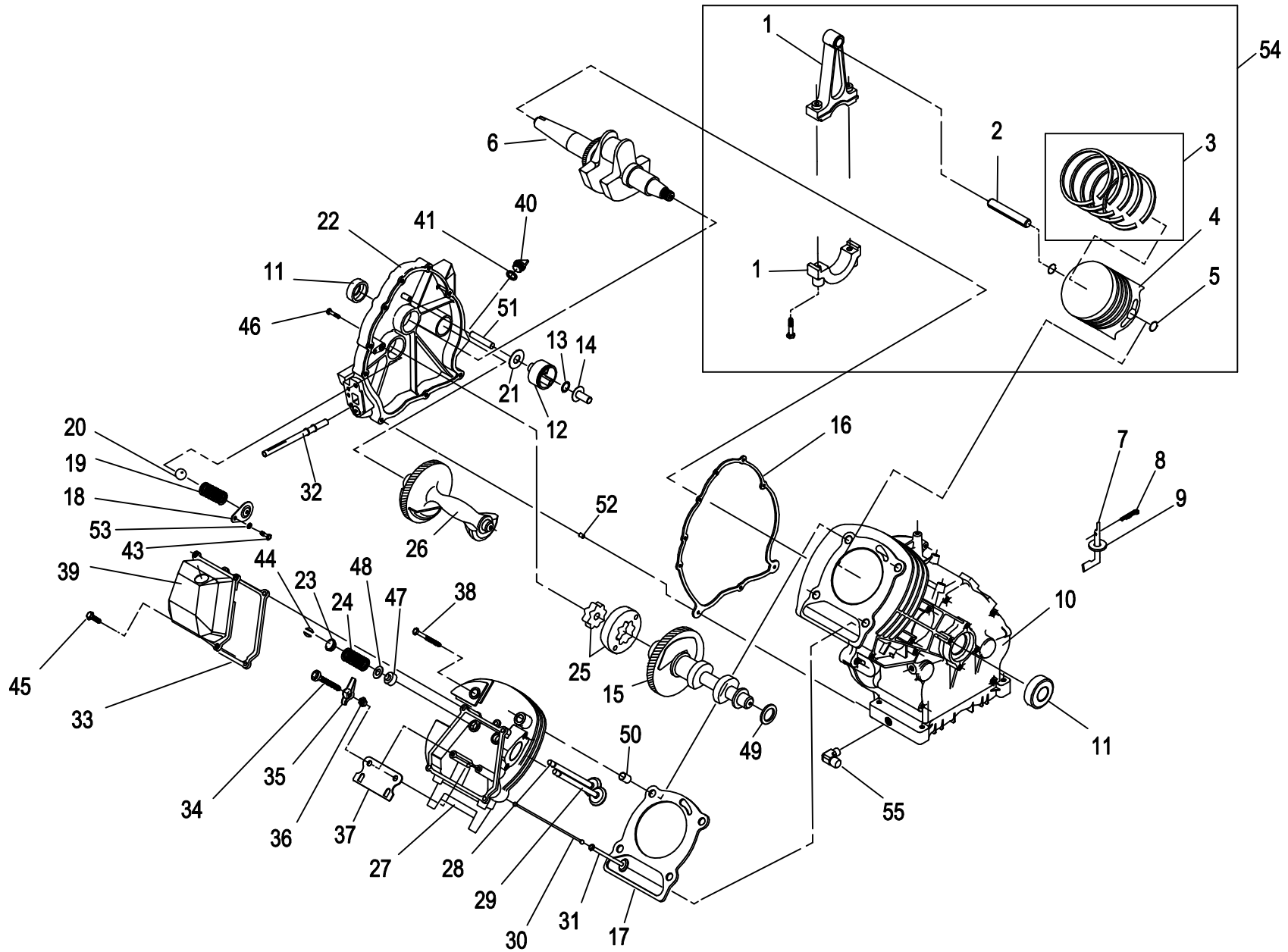
ITEM	PART#	QTY.	DESCRIPTION
65	0J9125	4	NUT HEX FL WHIZ M8-1.25
66	0G5737	4	PLUG PLASTIC 0.312
67	0L2176	2	SCREW HHSD PREMIUM 1/4-14X1 BZ
68	0G3110	1	SCREW HHTT M6-1.0 X 25 ZINC
69	055414	1	LUG SLDLSS #2-#8 X 17/64 CU
70	0742600194	1	GRND WIRE PORT BRG CARR-FRAME
71	0A1658	1	WASHER LOCK SPECIAL 1/4"
72	0H8130	1	WELD PANEL SIDE C-PNL XP RAW
73	0H3443	2	COTTER HAIRPIN 2.56 X .80
74	0H0653	2	WASHER FLAT 5/8 ID X 0.039"THK
75	0K8150	2	10" WHEEL OFFSET HUB
76	022247	2	WASHER FLAT 5/8 ZINC
77	0K8672	1	AXLE 15.87 DIA X 684 CLR ZINC
78	0J3708	1	WLDMNT SUPPORT MUFFLER
79	0J3826	1	J-BOLT MUFFLER M8-1.25
80	052858	1	NUT TOP LOCK FL M8-1.25
81	0J4968	3	SCREW HHFC M5-0.8 X 16
82	0J4967	2	SCREW HHFC M5-0.8 X 12
83	0H3049	1	COVER ALTERNATOR INLET 5-7KW
84	0912970099	1	WIRE, JUMPER,SOL COIL-CONTACT
85	0J0772	1	CLIP SNAP-IN WIRE MANAGEMENT
86	048031G	2	CLAMP HOSE BAND .41
87	0H3455E	1	FUEL HOSE, 160 MM LONG
88	0J1757	1	WLDMNT MTG MUFFLER HEAT SHIELD (6500W UNITS)
	0J1076	1	WLDMNT MTG MUFFLER SIDE (8000W UNITS)
89	0H8886	1	ALT 6500W SAE BT COP-AL VN (6500W UNITS)
	0H8887	1	ALT 8000W SAE BT COP-CO VN (8000W UNITS)
90	0H2579B	1	AVR 5.5-7.5KW VISION ALT (6500W UNITS)
	0H2579C	1	AVR, 8.0KW VISION ALTERNATOR (8000W UNITS)
91	0H0919	1	ASSEMBLY,BRUSH VISION (6500W UNITS & 8000W UNITS)
92	0K2626	1	ASSY C-PNL 6.5KW XP (6500W UNITS)
	0J2412	1	ASSY C-PNL XP 8KW (8000W UNITS)
93	0J0087	2	AXLE MNT RAW
94	0J3694	4	SCREW HHFC M6-1X50 8.8 W/PATCH
95	0A5992	2	WASHER LOCK INT M8 SS
PAGE 2			
94	0H1207F	1	HOSE 11MM OD X 5.5MM ID X 26IN
95	0H1142	1	ASSY, ROLL OVER SLANT VALVE
96	0H7520A	1	FUEL GAUGE,ROUND 6.5" LONG
97	0H7521	1	GROMMET FUEL GAUGE ROUND
98	0H0958A	1	ASSY GAS CAP SEALED - BLACK
99	0H1326	1	FILTER, FUEL
100	0H7503A	1	WELDMENT FUEL TANK XP RAW CAL
101	0H1610	4	INSERT, ANTI-CRUSH FOR TANKS
102	0H1411	4	RUBBER MOUNT, 10.8 ID X 9 TALL
103	0G9039	2	BUTTON LATCH RELEASE
104	0G9038	2	LEVER, LATCH RELEASE
105	0G9096	2	SCREW PFHP #8-16 X 1/2
106	0G9040	2	SPRING TORSION, LATCH RELEASE
107	0G9037	2	BRACKET, LATCH
108	0G9041	4	PIVOT PIN, LATCH RELEASE
109	0G9036	2	PLUG, FOLD DOWN HANDLE
110	052618	2	SCREW HHC M5-0.8 X 12 C8.8
111	0742600183	1	WIRE, #16 START SOL-STARTER XP
112	0H3535	6	NUT FLANGE M5-0.8 NYLOCK
113	0742600196	1	WIRE ASSY SOL TO BATT-POS
114	0H7945	1	ASSEMBLY, BATTERY STRAP



**EXPLODED VIEW: EV CNTRL PANEL 410 PORT 8KW****DRAWING #: 0J2847****GROUP C****APPLICABLE TO:**

<b>ITEM</b>	<b>PART#</b>	<b>QTY.</b>	<b>DESCRIPTION</b>
1	0J2410	1	ASSY COVER C-PNL XP 8KW
2	0J2353	1	GFCI SENSING MODULE ASSEMBLY
3	0G5644	1	CB 2P 35A W/SHUNT TRIP
4	036900	6	SCREW PPHM #6-32 X 1/4
5	0H8214	1	HOUR METER W/ALERTS AC/DC
6	0E3927	1	RELAY DPDT NO 10A 120VAC COIL
7	052777	2	WASHER FLAT M3
8	0D9784	2	NUT HEX LOCK M3-0.5 NY INS
9	0D4968	2	OUTLET 20A 120V DPLX 6342BK
10	0G9392	2	COVER, 20A 120V GFCI/DUPLEX
11	043180	14	WASHER FLAT M4
12	0E6480	14	NUT HEX LOCK M4-0.7 NY INS
13	0H0265C	2	CB 20A 1P 120V CUL/CSA JOEMEX
14	0H0265E	1	CB 30A 1P 120V CUL/CSA JOEMEX
15	0C7340	1	BOOT, CIRCUIT BREAKER
16	0G9023C	1	CB 0030A 2P 240V C AA2 QT
17	087968	1	SWITCH, ROCKER -/0
18	0H6856	1	FUSE HOLDER,10A/250V AC,R3-13
19	068868	1	OUTLET 30A 120V RECEPT
20	0G9391	2	COVER,30A 120/240V
21	0G8758	1	OUTLET 30A 120/250V SPCGR
22	0J2411	1	OVERLAY CONTROL PANEL XP8
23	0H8118	1	CONTROL BOX XP SERIES PORTABLE
24	040213C	4	PCB SUPPORT SNAP-IN 3/16"
25	0H8447	1	ASSY PCB XP PORTABLE CNTRL.
26	084028	1	TRANSFORMER IDLE CNT
27	029107	2	GROMMET 7/8 X 3/16 X 5/8
28	0H3349	1	WIRE ADAPTER PLATE
29	0E5333	2	SCREW PHTT M5-0.8 X 8 ZINC
30	042568	2	SCREW HHC M6-1.0 X 20 C8.8
31	049811	4	WASHER FLAT M6
32	022097	2	WASHER LOCK M6-1/4
33	049813	2	NUT HEX M6-1.0 G8 CLEAR ZINC
34	067682D	1	FUSE SLOBLO 1.5A GLASS
35	0H9126	1	ASSY 12VDC POWER JACK XP
36	0J3223	3	BOOT/NUT,SWITCH COVER

# GROUP D



EXPLODED VIEW: EV 2011 410 XP ENGINE  
DRAWING #: 0K5131

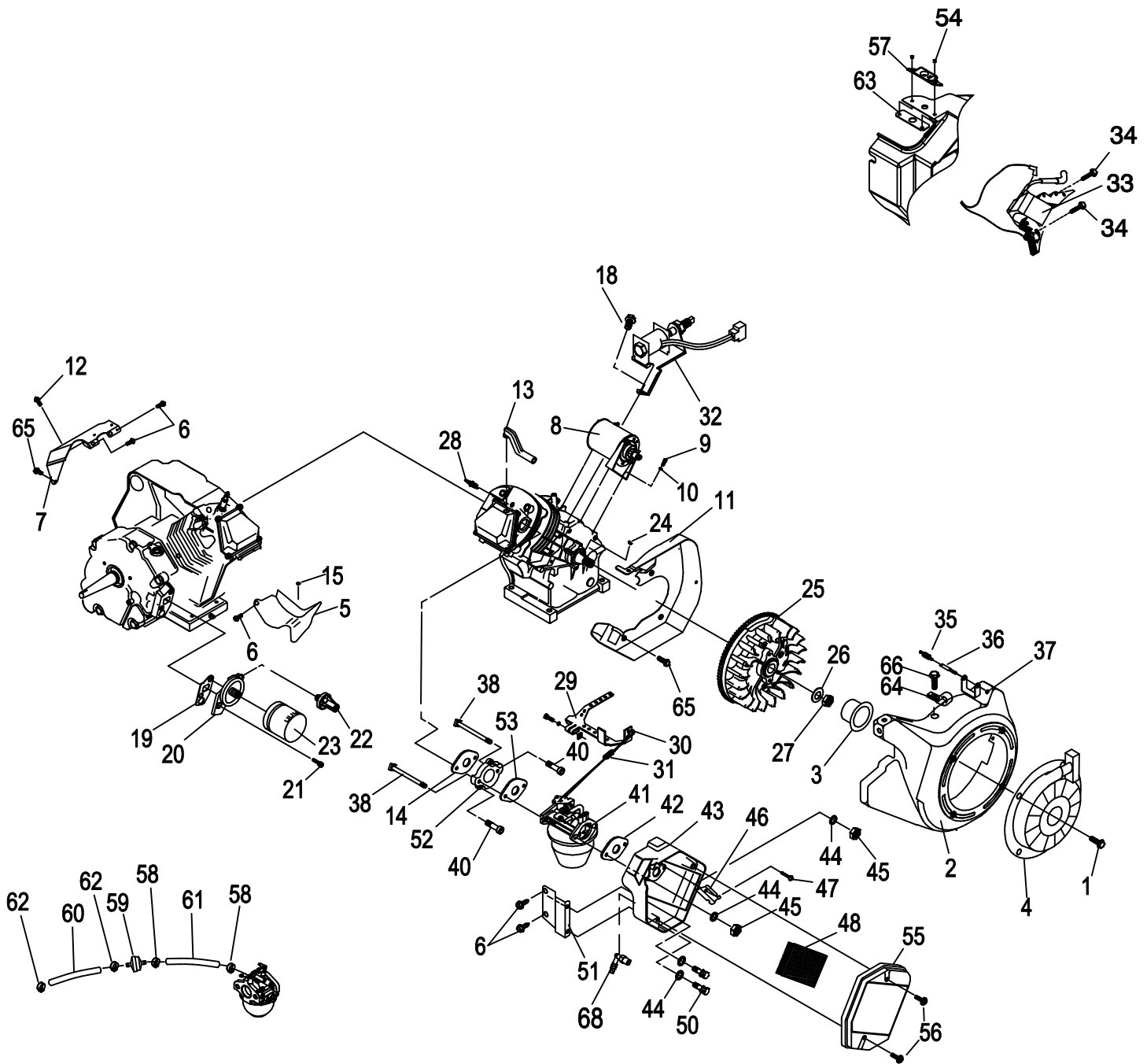
GROUP D

APPLICABLE TO: 2010 410 XP ENGINE

ITEM	PART #	QTY.	DESCRIPTION
1	0E3221	1	ASSEMBLY, CONNECTING ROD
2	0E1466	1	PIN, PISTON D20
3	0G2565	1	RING SET, PISTON Ø90
4	0K0988	1	PISTON FLAT TOP 90 HSB 2013
5	071983	2	RETAINER, PISTON PIN 20
6	0G9809	1	ASSY CRANK SHAFT 410 SAE TAPER
7	0A7628	1	ARM, GOVERNOR RC45
8	078658	1	PIN, "R" GOVERNOR ARM
9	078659	2	WASHER, GOVERNOR ARM THRUST
10	0H0165C	1	CRANKCASE, SUBASSEMBLY WITH PLUGS GH410
11	0E3812	2	SEAL, 35 I.D. CRANKSHAFT
12	0E6519	1	ASSEMBLY, GOVERNOR GEAR
13	078645	1	C-RING, GOVERNOR GEAR RETAINER
14	0A7811	1	SPOOL, GOVERNOR- MACHINE
15	0K5111	1	CAMSHAFT ASSEMBLY
16	076701	1	GASKET, CRANKCASE
17	021713B	1	GASKET, HEAD 410
18	078691	1	COVER, OIL PRESSURE RELIEF
19	0A5771	1	SPRING, OIL RELIEF 360
20	0A5776	1	BALL, DIA 11/32 PRESSURE RELIEF
21	076361	1	WASHER, THRUST GOVERNOR GEAR
22	0G4233A	1	ASSEMBLY, COVER, GEAR TOP CHECK / FILL
23	0D2274	2	RETAINER, VALVE SPRING
24	0K0733	2	VALVE SPRING
25	086025	1	SET, GEROTOR 12 THK
26	0E3341	1	BALANCER
27	0G6791A	1	ASSEMBLY, CYLINDER HEAD SEATS & GUIDES
28	086516	1	VALVE, EXHAUST
29	086517	1	VALVE, INTAKE
30	0D9853B	2	PUSH ROD 174.9
31	083897	2	TAPPET
32	077158	1	ASSEMBLY, SCREEN OIL PICK-UP
33	0C3150	1	GASKET, ROCKER COVER 410
34	072694	2	STUD, D20 PIVOT BALL
35	083907	2	ROCKER ARM
36	0D3998	2	NUT, JAM (ROCKER ARM)
37	078694	1	PLATE, PUSH ROD GUIDE
38	021742	4	SCREW, HHFL M10-1.5 X 105
39	0D6094	1	ASSEMBLY, ROCKER COVER BREATHER OHVI
40	076329A	1	PLUG, OIL FILL PLASTIC, ORANGE
41	0E0057	1	O-RING 17.8 I.D. x 2.4
43	045770	1	SCREW HHC M5 - 0.8 X 10 C8.8
44	086515	4	KEEPER, VALVE SPRING
45	0G0919	4	SCREW HHFCS M6-1 X 12
46	0A1442	8	SCREW, HHFC M8-1.25 X 42
47	078672	1	SEAL, VALVE STEM D7
48	089673	2	WASHER, VALVE SPRING
49	0B2104	1	WASHER, LARGE SPRING
50	078699C	2	SLEEVE, DOWEL PIN 14 DIA.
51	0A7627	1	SHAFT, GOVERNOR RC55
52	078699B	2	SLEEVE, DOWEL PIN 12 DIA.
53	0G5792	1	WASHER LOCK M5 RIBBED
54	0K1633	1	ASSY PISTON FLAT TOP GT999
55	043790A	1	BARBED EL 90 3/8NPT X 3/8



# GROUP D



EXPLODED VIEW:

DRAWING #: 0K5131

**EXPLODED VIEW: EV 2011 410 XP ENGINE  
DRAWING #: 0K5131**

APPLICABLE TO: 2011 410 XP ENGINE

**GROUP D**

ITEM	PART #	QTY.	DESCRIPTION	ITEM	PART #	QTY.	DESCRIPTION
1	0C1069	9	SCREW HHTT M6-1.0 X 8 ZYC				
2	0D2922	1	ASSEMBLY, BLOWER HOUSING				
3	0E9521	1	PULLEY STARTER LARGE FRAME				
4	0E9483	1	RECOIL STARTER LARGE FRAME				
5	088434	1	WRAPPER, BOTTOM 12 HP HS				
6	045756	4	SCREW HHTT M6-1.0 X 10 YELLOW CHROME				
7	0C4176A	1	WRAPPER, TOP REGULAR STEEL				
8	0D9004A	1	ASSEMBLY, STARTER 46				
9	081990	2	SCREW SHC M8-1.25 X 40				
10	022129	2	WASHER, LOCK M8-5/16				
11	073116A	1	BACKPLATE, W/ ELECTRIC START				
12	0G7967	1	SCREW, HHTT 5/16 - 18 X 1/2" CLEAR				
13	0D7199A	1	HOSE, BREATHER GH410 ENGINES				
14	091039	1	GASKET, INTAKE ADAPTER				
15	022717B	1	GROMMET 9/16 X 1/16 X 7/16				
16	087858N	1	ASSEMBLY, WIRE #0-4.5" LONG (NOT SHOWN)				
17							
18	083512	2	SCREW HHTT M8-1.2 X 16 YC				
19	086999	1	GASKET,OIL FILTER ADAPTER				
20	0D5667A	1	ADAPTER OIL FILTER W/TAPD HOLES				
21	049821	2	SCREW, SHC M8-1.25 X 30 G12.9				
22	0H1315	1	SWITCH, HOBBS OIL PRESSURE 5PSI				
23	070185B	1	FILTER, OIL BLACK 75 LONG, LOGO				
24	082774	1	KEY, WOODRFF 4 X 19D				
25	091222C	1	FLYWHEEL, WITH RING GEAR 27 DEGREE				
26	067198N	1	WASHER,BELV-20 X 2.2				
27	067890	1	NUT HEX M20-1.5 G8 YLW CHROME- FLYWHEEL				
28	0E7585	1	SPARKPLUG, CHAMPION RC14YC				
29	072734	1	ASSEMBLY,GOVERNOR LEVER 12HP				
30	072735	1	ROD, GOVERNOR CONTROL				
31	0C3978	1	SPRING, ANTI-LASH				
32	0C1503	1	IDLE COIL ASY,GOV LF				
33	0G9241T	1	ASSEMBLY, IGNITION ADV NO DIODE GH410				
34	080318	2	SCREW HHFC M6-1.0 X 25				
35	073100	1	SPRING GOVERNOR 320/360/410				
36	083502	1	BOLT, GOVERNOR ADJUSTMENT M5				
37	082025	1	NUT, HEX LOCK M5-0.8 NYLON INSERT ZINC				
38	081647	2	BOLT, CARBURETOR MOUNTING				
40	0H8227	2	FLANGE HEAD SCREW, SHC M6-1.0 X 20 G8.8ZP				
41	0G9594	1	CARBURETOR ASSEMBLY, 410HS				
42	090970	1	GASKET, AIR CLEANER				
43	0G5630D	1	BASE, AIR CLEANER 410 HI FLOW XP PORT				
44	049811	4	WASHER, FLAT M6				
45	0B2236	2	NUT, HEX LOCK M6-1.0 NYLON INSERT				
46	091204	1	PLATE, SPITBACK				
47	0K0784	1	SCREW HWHTF 8-18 X 0.5 HI-LOW				
48	073111	1	ELEMENT, AIR FILTER				
50	079246	2	SCREW, HHC M6-1.0 X 16 W/ LOCK WASHER				
51	090827	1	BRACKET, AIR CLEANER				
52	091028	1	ADAPTER, "K"				
53	089228	1	GASKET, CARBURETOR/MANIFOLD				
54	0G9860	2	RIVET, 1/8"				
55	073104B	1	COVER, AIR CLEANER 13GN				
56	078609	2	BOLT, AIR CLEANER COVER				
57	0G9688	1	BRACKET, CHOKE CABLE				
58	048031G	2	CLAMP, HOSE				
59	0D6313	1	FILTER, FUEL				
60	0H3455E	1	HOSE, FUEL, 105MM LONG				
61	0F9176J	1	HOSE,1/4" SAE30R7 SETIFLEX 13"				
62	048031C	2	CLAMP HOSE BAND .50				
63	0H0866	1	BACK PLATE				
64	0E3200	1	C-CLIP				
65	0E1552	5	SCREW HHFC M6-1.0 X 12				
66	045756	2	SCREW, HHTT M6-1.0 X 10 ZYC				
67	*0H9118	1	ENGINE HARNESS XP6.5 AND XP8.0				
68	0H1660	1	BARBED ELBOW				

\* = NOT SHOWN IN EV