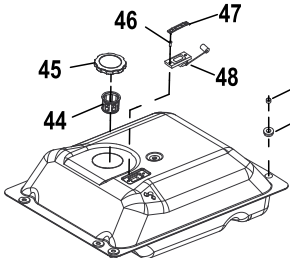
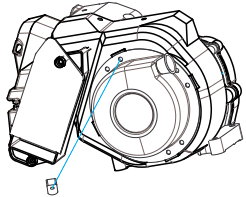
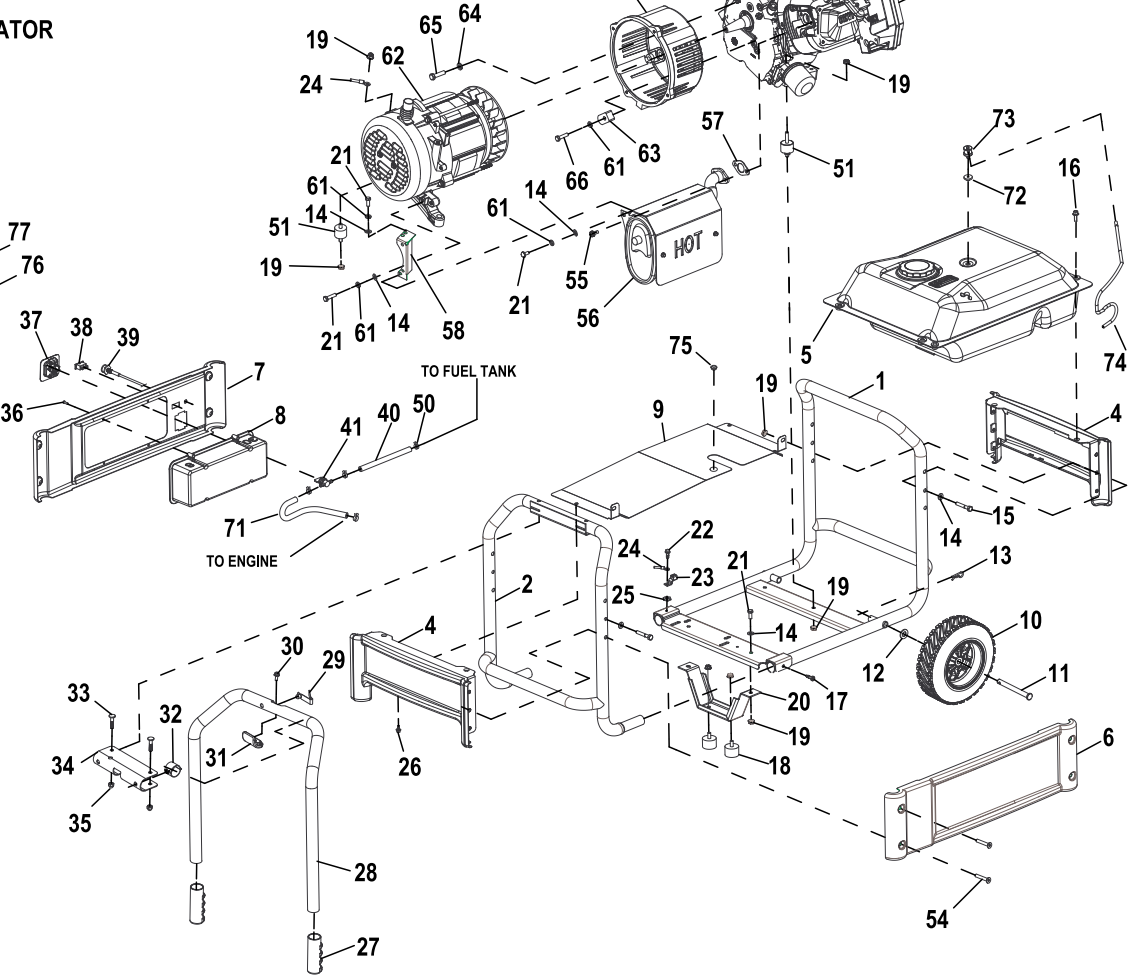


DETAIL OF ALTERNATOR



DETAIL OF GAS TANK



ROUTE HOSE THROUGH CLIP
DETAIL OF FRONT OF ENGINE

EXPLODED VIEW: GENERATOR PARTS

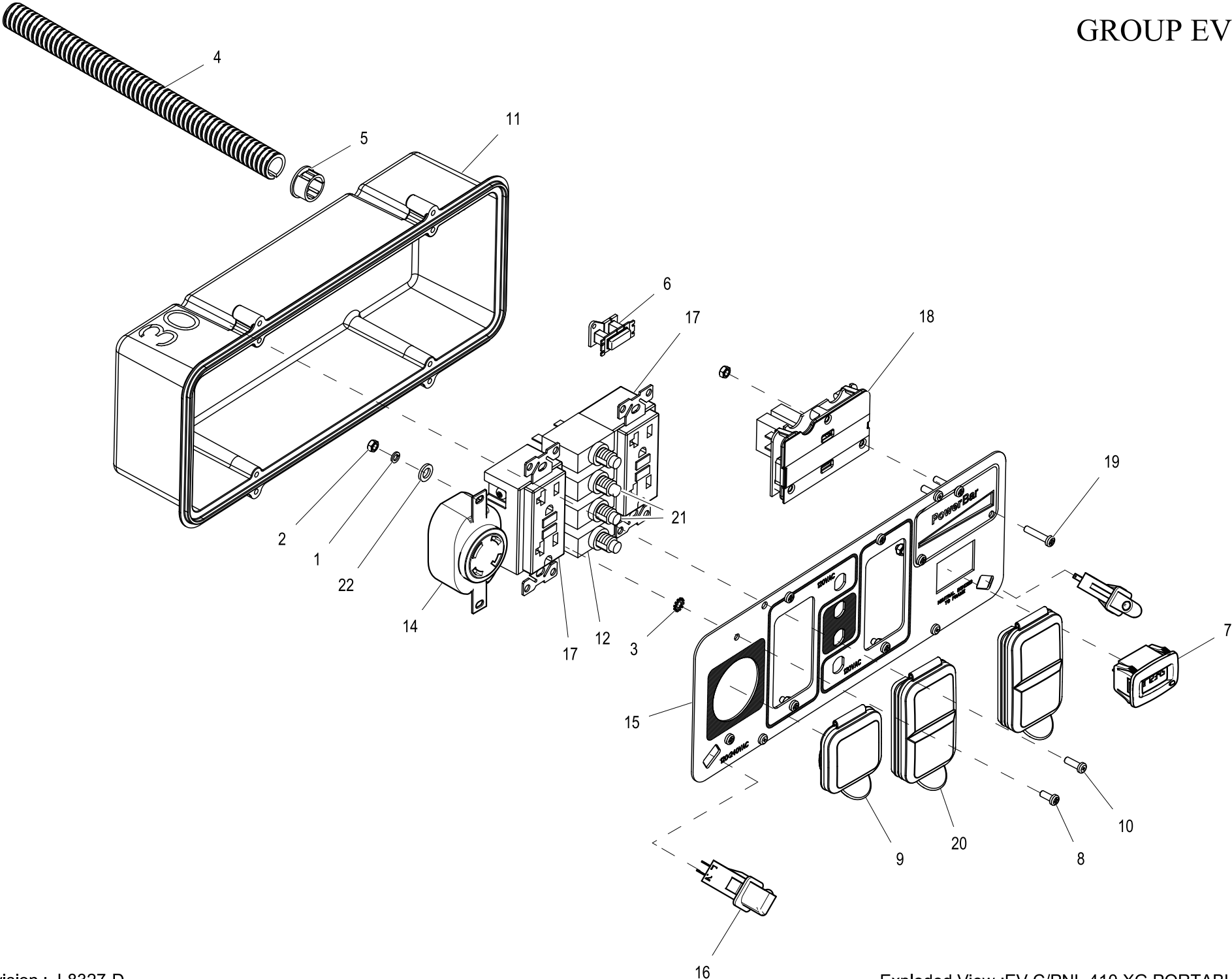
DRAWING #: 0J1588

GROUP

ITEM	PART#	QTY.	DESCRIPTION
1	0H2385	1	FRAME BASE
2	0H2391	1	FRAME BACK
3	049226	2	LOCK WASHER, M5
4	0H2392A	2	END, ASSY, RAIL
5	0H2564A	1	TANK, FUEL
6	0H2394B	1	PANEL, C/PNL SIDE
7	0H2394C	1	RAIL, PANEL
8	0H2802F	1	30A XG RECEPTACLE PANEL
9	0H6371	1	HEAT SHIELD
10	0H4420	2	XG RALLYE WHEEL
11	0H1129	2	AXLE PIN
12	087171	2	WASHER FLAT 1/2 SS
13	0H3443	2	COTTER HAIRPIN
14	022145	10	WASHER FLAT 5/16-M8
15	051731	4	SCREW HHC M8-1.25 X 50
16	0G5445	4	SCREW HHTT M8-1.2 X 20
17	0L2176	2	SCREW HHSD PREMIUM 1/4-14X1 BZ
18	0H3590	2	VIBE MOUNT
19	067989	14	NUT HEX FL WHIZ M8-1.25
20	0H0720	1	FOOT
21	039253	6	SCREW HHC M8-1.25 X 20
22	0G2018	1	SCREW HHSD 1/4-20 X 7/8
23	055414	1	LUG SLDLSS #2-#8 X 17/64 CU
24	0742600186	1	WIRE ASSY GND ALT TO BASE
25	0A1658	1	WASHER LOCK SPECIAL 1/4
26	090388	2	SCREW HHTT M6-1.0 X 12
27	0G8465	2	HANDLE GRIPS
28	0H2616	1	TUBE, HANDLE
29	0G5442	1	SNAP BUTTON
30	0G0926	1	SCREW HHFCS M6-1 X 16
31	0H3854	1	HANDLE STOP
32	0H2205	2	BEARING, HANDLE
33	0H0031	2	CHB CUSTOM 5/16 18 X 46
34	0H2206B	1	BRACKET, HANDLE
35	0G8486	2	CAP NUT 5/16-18 ZBC
36	0G8382	4	SCREW PPPH #8-16 X 0.66
37	0H2142	1	FUEL, VALVE HOLDER
38	0H3451	1	SWITCH, RUN-STOP
39	0G9560A	1	CABLE, CHOKE
40	0H3455E	1	FUEL HOSE 160 MM
41	0H3419	1	FUEL, VALVE
42	049815	3	SCREW HHC M5-0.8 X 16
43	051713	3	FLAT WASHER, M5
44	0H1326	1	FUEL FILTER
45	0H0958	1	FUEL CAP, CHROME
46	0H1357	2	SCREW PFHM M5-0.8 X 12
47	0H1359	1	PLATE, FUEL GAGE
48	0H1345	1	FUEL GAGE, 153MM LONG ARM
49	0J2514	1	XG7000/6500 410 ENGINE
50	048031G	4	HOSE CLAMP
51	0H2043	4	VIBE MOUNT
52	0E4190	1	CLAMP, CABLE
53	0F5579	1	SCREW SHOULDER M5-0.8 X 20
54	0H3587	8	SCREW FHSC M8-1.25 X 55
55	0G3730	2	SCREW SHC M8-1.25 X 20 SEMS
56	0H3033	1	MUFFLER, ASSY, 410
57	090239	1	GASKET, EXHAUST
58	0G8542	1	BRACKET, MUFFLER
59	0H0919	1	BRUSH HOLDER
60	0H4768A	2	WIRE ASSY JUMPER
61	022129	5	WASHER LOCK M8
62	0H4862	1	6.5KW ALTERNATOR W/JUMPER WIRES
63	0G9832	1	BRACKET, MOUNTING, ALT 7KW
64	046526	3	WASHER LOCK M10
65	022511	3	SCREW HHC 3/8-16 X 1-1/4

EXPLODED VIEW: GENERATOR PARTS**DRAWING #: 0J1588****GROUP**

ITEM	PART#	QTY.	DESCRIPTION
66	030209	1	SCREW HHC 5/16-24 X 1-1/4
67	0H3535	4	NUT FLG NYLN LOCK M5-0.8
68	0H2579B	1	AVR, 6.5KW ALTERNATOR
69	0H3049	1	END COVER
70	052618	2	SCREW HHC M5-0.8 X 12
71	0H5762	1	FUEL LINE, FORMED VALVE TO ENGINE
72	0H3631	1	GROMMET, ROLLOVER VALVE
73	0H3630	1	ROLLOVER VALVE
74	0J1699	1	EVAP HOSE
75	023484E	1	SNAP BUSHING
76	0H1411	5	RUBBER MOUNT, 10.8 ID X 9 TALL
77	0H1610	4	INSERT, ANTI-CRUSH FOR TANKS



EXPLODED VIEW: EV C/PNL 410 XG PORTABLE 6.5KW**DRAWING #: 0H4099****GROUP EV**

ITEM	PART#	QTY.	DESCRIPTION
1	022264	6	WASHER LOCK #8-M4
2	051715	9	NUT HEX M4-0.7 G8 YEL CHR
3	026579	1	WASHER LOCKF EXT #8 STEEL
4	077043B	1	CONDUIT FLEX .50"ID
5	0A5489	1	SNAP BUSHING.75 OPEN
6	0D4804B	1	XFMR IDLE CURRENT
7	0H8214	1	HOUR METER W/ALERTS AC/DC
8	0G9060	2	SCREW PPHM M4-0.7 X 10 BZC
9	0G9391	1	COVER,30A 120/240V
10	0G8382	4	SCREW PPPH #8-16 X .66" BZC
11	0G9756	1	RECTANGLE PANEL STORM-GEN
12	0H0265C	2	CB 20A 1P 120V CUL/CSA JOEMEX
13	SEE TABLE 1	-	WIRE HARNESS (NOT SHOWN)
14	0H2929	1	OUTLET 30A 120/250V SPCGR
15	0H3343F	1	PANEL COVER, XG PORTABLE
16	0H6784	2	LED CONTROL PANEL SNAP-FIT XG
17	0D4966	2	OUTLET 20A 120V GFCI GF20BK
18	SEE TABLE 1	-	TRULOAD POWERBAR ASSY
19	0H3968	3	SCREW PPHM M4-0.7 X 20 BLK ZC
20	0G9392	2	COVER, 20A 120V GFCI/DUPLEX
21	0H0265E	2	CB 30A 1P 120V CUL/CSA JOEMEX
22	043180	6	WASHER FLAT M4