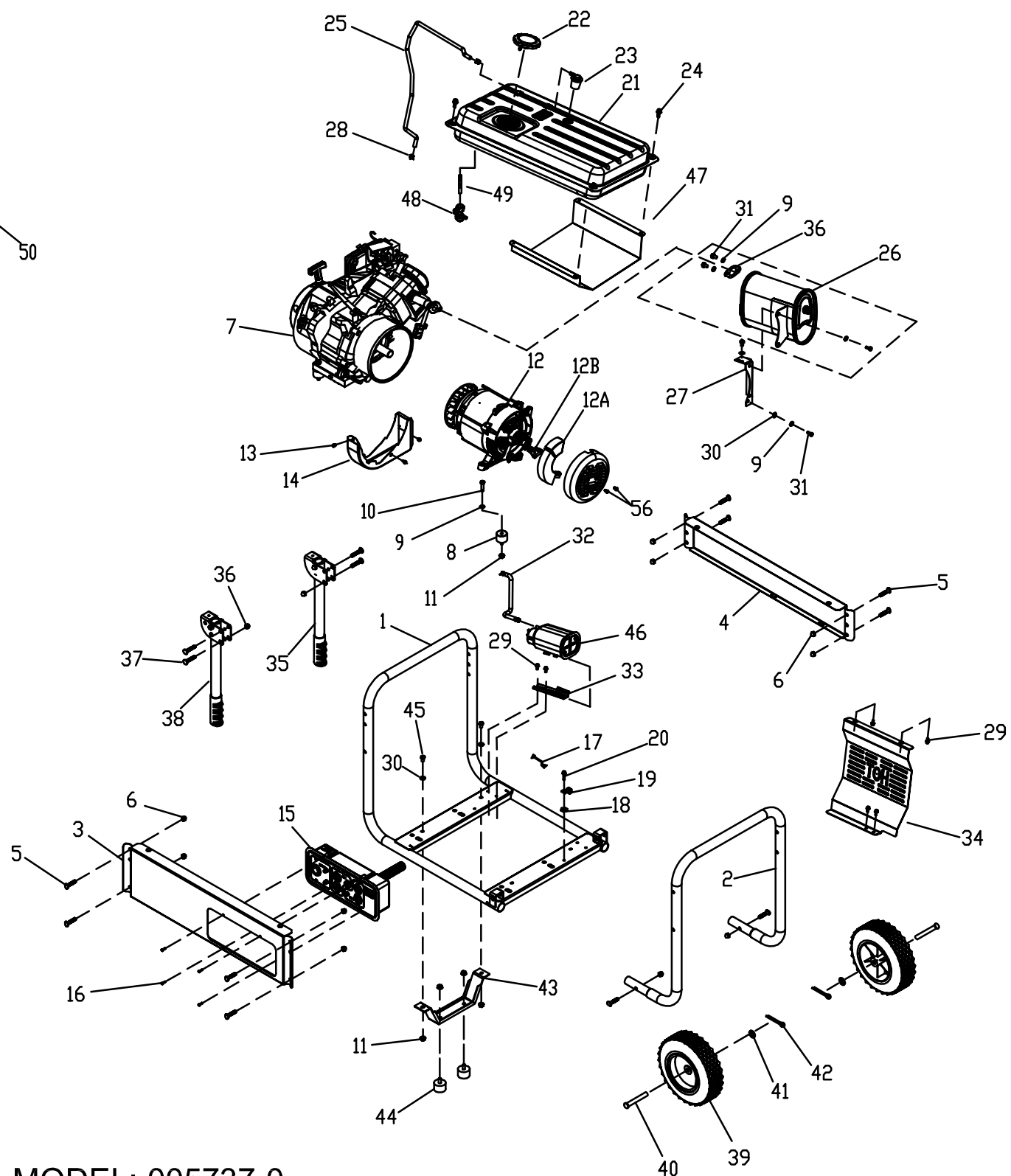
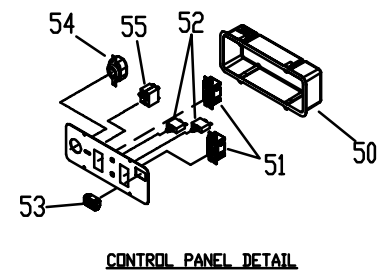


PART NO. 0H1288



ITEM	PART #	QTY	DESCRIPTION	ITEM	PART #	QTY	DESCRIPTION
1	0H0168	1	ASSY, CRADLE BASE	41	022304	2	WASHER, FLAT, 1/2"
2	0G8326	1	CRADLE END	42	0D4999	2	COTTER PIN
3	0G8327	1	PANEL RAIL	43	0H1114	1	BENT FOOT FRAME
4	0G8328	1	BACK RAIL	44	0G8478	2	RUBBER FOOT
5	0G8467	10	CURVED HEAD BOLT 5/16-18	45	036223	2	SCREW, HHC 5/16-18
6	0G8466	12	CAP NUT LOCKING 5/16-18	46	0H0957	1	CARBON CANISTER
7	0H0990	1	ENGINE, 389cc	47	0H2318	1	HEAT SHIELD, CARB FUEL TANK
8	0G8527	4	VIBRATION MOUNT	48	0H1684	1	VALVE, FUEL SHUTOFF
9	022129	10	WASHER, LOCK M8-5/16	49	0H1613	1	FILTER, FUEL SHUTOFF VALVE
10	033212	4	SCREW, HHC 5/16-18 X 1 1/4"	50	0G9756	1	RECEPTACLE PANEL
11	069673J	8	NUT, LOCK FLANGE 5/16-18	51	0D4966	2	OUTLET, 20A GFCI
12	0G9924	1	ALTERNATOR, 5500W BRUSH TYP	52	0H0265C	2	CIRCUIT BREAKER, 20A 1P
12A	0G99240101	1	AVR	53	0G8321	1	HOUR METER
12B	0G99240102	1	BRUSH	54	0G8758	1	OUTLET, 30A 125/240V
12C	0H1219	1	LABEL FOR ALT. (NOT SHOWN)	55	0G9023G	1	CIRCUIT BREAKER, 23A 2P
13	0E5845	3	SCREW, HHC M5-0.8 X 8	56	091526	5	SCREW, PPHM M5-0.8 X 12
14	0G8654	1	SCROLL, ALTERNATOR				
15	0H1165B	1	ASSY, CONTROL PANEL 23A				
16	0G8382	4	SCREW, PPPH #8-16 X 1/2"				
17	0G8753C	1	ASSY, GROUND WIRE				
18	0A1658	1	WASHER, LOCK SPECIAL 1/2"				
19	055414	1	LUG, SOLDERLESS #2-#8				
20	092079	1	SCREW, HHTT M6-1.0 X 25				
21	0H0960	1	ASSY, FUEL TANK 6.6 GALLON				
22	0H0958	1	ASSY, FUEL CAP SEALED				
23	0H1142	1	ROLL OVER VALVE				
24	0G5445	4	SCREW, HHTT M8-1.25 X 20				
25	0H1207	1	EVAPORATIVE HOSE, FUEL TANK				
26	0H0981	1	MUFFLER, 389CC CARB				
27	0G8542	1	MUFFLER BRACKET				
28	048031C	2	CLAMP, HOSE BAND				
29	090388	6	SCREW, HHTT M6-1.0 X 12				
30	022146	6	WASHER, FLAT, 5/16-18				
31	043107	6	SCREW, HHC M8-1.25 X 25				
32	0H1082	1	BREATHER TUBE, CARBON CAN				
33	0G9568	1	BRACKET, CARBON CANISTER				
34	0G8713	1	HEAT SHIELD				
35	0G8530B	1	ASSY, HANDLE LEFT SIDE				
36	0G9023	1	GASKET, EXHAUST				
37	0H0031	4	CARRIAGE HEADBOLT, 5/16-18				
38	0G8533B	1	ASSY, HANDLE RIGHT SIDE				
39	0G8651	2	TIRE, 9.5"				
40	0H0204	2	AXLE PIN, 1/2" X 4"				

E.C.O.	REV.	DATE
---	A	12/16/08
H-4000	B	02/20/09
H-4139	C	03/25/09
H-5607	D	12/10/09
H-6252	E	3/16/10

MODEL: 005737-0
GP 5.5kW PULL START CARB

DO NOT SCALE

GROUP

EXPLODED VIEW: GP 5.5kW CA PORTABLE		GENERAC POWER SYSTEMS P.O. BOX 8 WAUKESHA, WIS. 53186	
DRAWN BY: LWILKEN	DATE: 11/17/08	FIRST USE: 05737-0	PART NO.:
CHECKED BY: DCOCHENET	DATE: 12/02/08		REV.:
APPROVED BY: S. SHOKRZADEH	DATE: 12/02/08		0H1288
RELEASED FOR PRODUCTION BY: S. SHOKRZADEH	DATE: 12/02/08		E