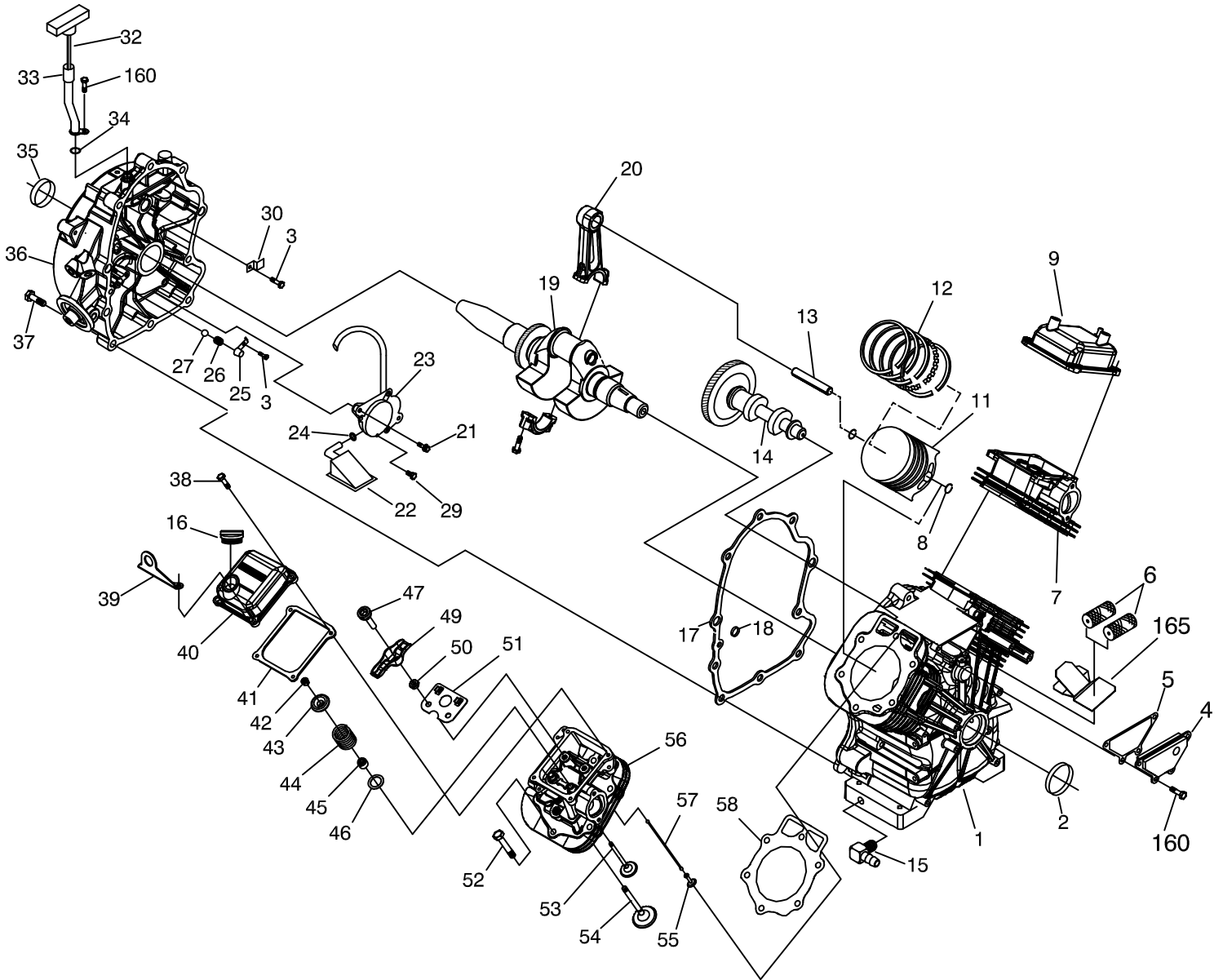


# GROUP



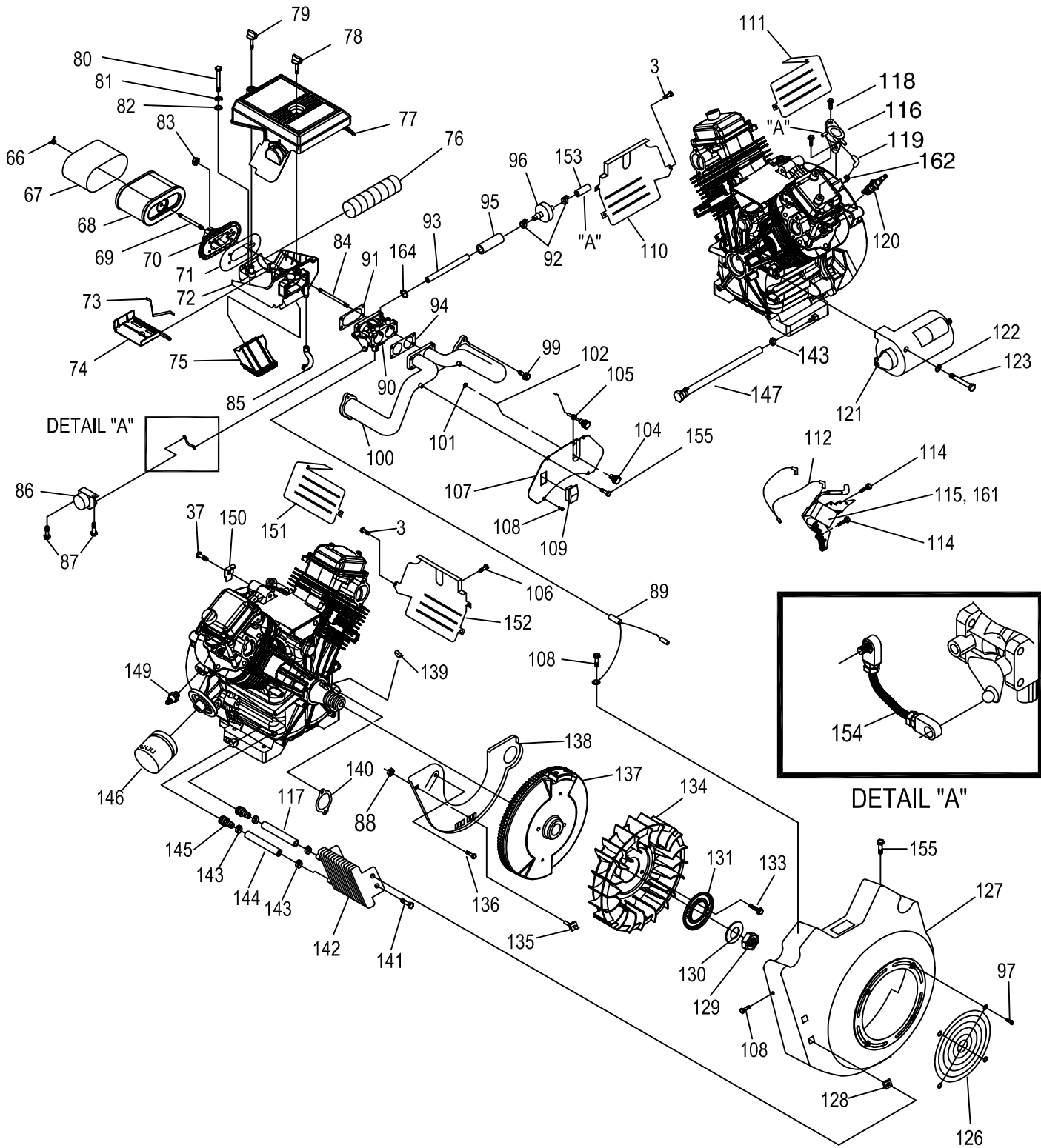
EXPLODED VIEW: ENGINE PARTS  
DRAWING #: 0H1407

APPLICABLE TO: 005734, 005735

GROUP

ITEM	PART #	QTY.	DESCRIPTION	ITEM	PART #	QTY.	DESCRIPTION
1	0C5729	1	ASSY, CRANKCASE WITH SLEEVE				
2	0K1534	1	SEAL, C'SHAFT FLYWHEEL SIDE RED				
3	0G0919	5	SCREW, HHFCS M6-1.0 X 12 G8.8				
4	0G9100	1	ASSEMBLY, BREATHER DUAL VALVE				
5	0C3005	1	GASKET, BREATHER COVER				
6	0E3372C	2	SEPARATOR, OIL BREATHER				
7	0D8067A	1	ASSEMBLY, HEAD #1				
8	071983	4	RETAINER, PISTON PIN 20				
9	0G0693	1	ASSY, ROCKER COVER W/BARB				
10							
11	0G2752	2	PISTON, DISH TOP DIA 90 COATED				
12	0G2565	2	RING SET, PISTON TOP DIA 90				
13	0E1466	2	PIN PISTON				
14	0D4041	1	ASSEMBLY, CAMSHAFT & GEAR				
15	043790A	1	BARBED ELBOW, 90 DEG. 3/8NPT X 3/8 VS				
16	093064	1	ASSEMBLY, OIL FILL CAP				
17	0C2977	1	GASKET, CRANK CASE				
18	0C5943	1	SEAL, OIL PASSAGE				
19	0E4357E	1	CRANKSHAFT AND GEAR GTH-990				
20	0E3223	2	ASSEMBLY, CONNECTING ROD GT-990				
21	0G6431	2	SCREW SHC SEMS M6-1.0 X 50 G8.8				
22	0E6098	1	SCREEN, OIL PICKUP				
23	0D4123B	1	ASSY, OIL PUMP GTH W/O O-RING				
24	0E8152	1	O-RING, 0.49 ID X 0.07 THICK				
25	0C3011	2	COVER, OIL RELIEF				
26	0C3009	2	SPRING, OIL RELIEF				
27	0C3010	2	BALL, 1/2D OIL RELIEF				
28							
29	0F5458	1	SCREW, PLASTITE HI-LOW #10				
30	0C5998	1	CLAMP, OIL TUBE				
32	0F2664M	1	ASSEMBLY, DIPSTICK GTH-990 PORTABLE				
33	0D3745	1	TUBE, DIPSTICK				
34	0C3027	1	O-RING, 3/8 X 1/2				
35	0K2035	1	SEAL, C'SHAFT PTO RED				
36	0F8054	1	GEARCOVER / ADAPTOR GTH990/760				
37	0C3006	10	SCREW, HHFC M10-1.5 X 55				
38	080318	8	SCREW HHFC M6-1.0 X 25				
39	0G1839	2	LIFT HOOK, GT990/760				
40	0D2723D	1	COVER, ROCKER W/OIL FILL "GENERAC" TEXT				
41	0C2979	2	GASKET, VALVE COVER				
42	086515	8	KEEPER, VALVE SPRING				
43	0D2274	4	RETAINER, VALVE SPRING				
44	0D3867	4	SPRING, VALVE				
45	078672	2	SEAL, VALVE STEM D7				
46	0C5371	4	WASHER, VALVE SPRING				
47	072694	4	STUD, ROCKER ARM PIVOT				
49	0D5313	4	ROCKER ARM				
50	0D3998	4	NUT, HEX M8-1.0 GB YELLOW CHROM				
51	0G8552	2	PLATE, PUSH ROD GUIDE				
52	0C2976	12	SCREW HHFC M8-1.25 X 65				
53	086516	2	VALVE, EXHAUST				
54	0C2229	2	VALVE, INTAKE				
55	083897	4	TAPPET, SOLID				
56	0D8067B	1	ASSEMBLY, HEAD #2				
57	0D9853D	4	PUSHROD 147				
58	0C2978	2	GASKET, HEAD				
165	0G8558	1	DIVERTER, BREATHER GTH				

# GROUP



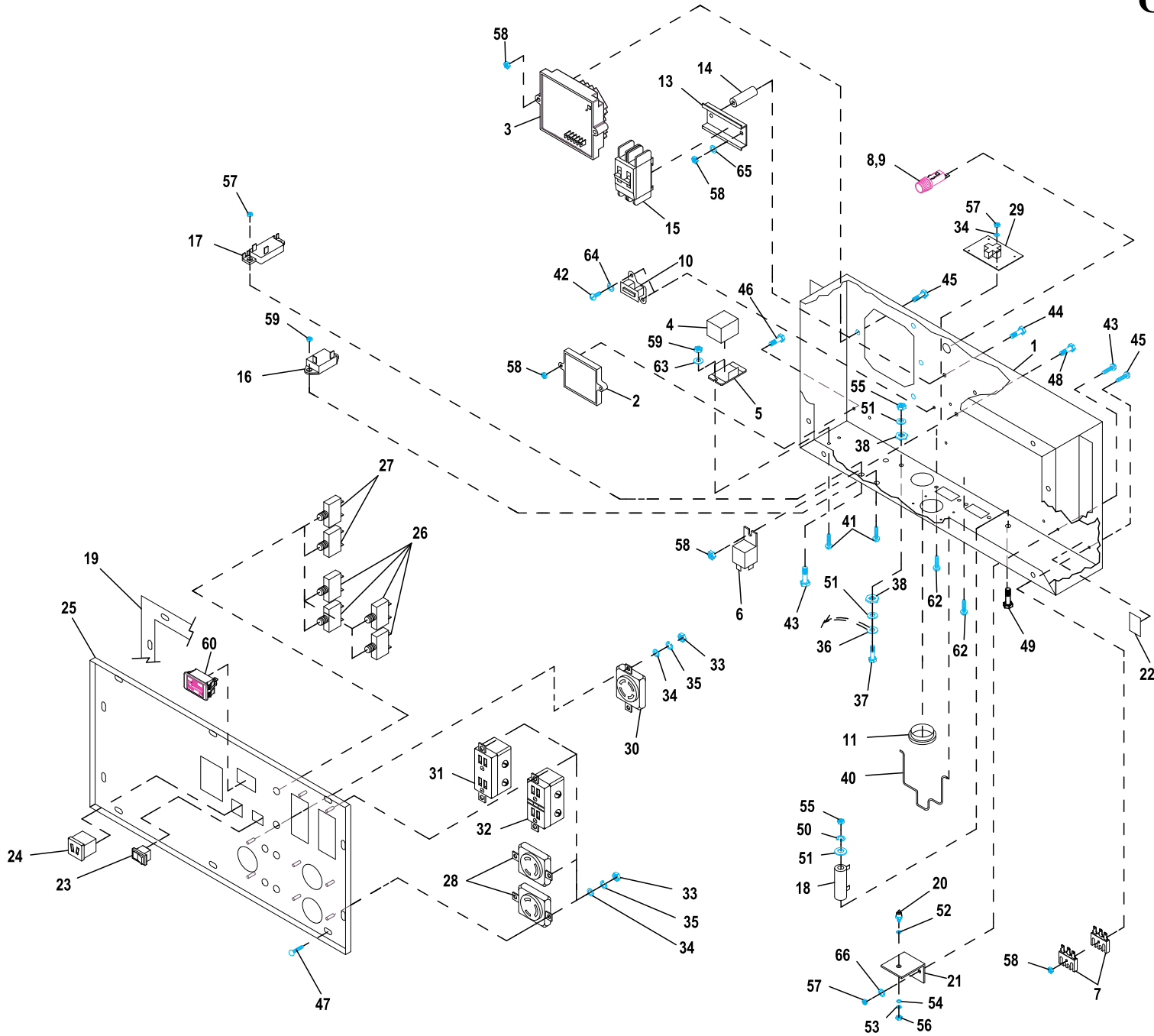
## EXPLODED VIEW: ENGINE PARTS

DRAWING #: 0H1407

GROUP

APPLICABLE TO: 005734,005735

ITEM	PART #	QTY.	DESCRIPTION	ITEM	PART #	QTY.	DESCRIPTION
66	0D6592	1	WINGNUT, AIRBOX	127	0F1169B	1	HOUSING, BLOWER GAS COOLER
67	0D4511	1	PRECLEANER, AIR	128	0C9763	4	NUT, GROMMET 1/4 PLUG
68	0D9723	1	ELEMENT, AIR CLEANER	129	0C3034	1	NUT, HEX M24
69	0E5302	1	STUD M6-1.0 X 73	130	0C3033	1	WASHER, M24
70	0D4183	1	ADAPTOR, SPIT BACK	131	0C3032	1	PLATE, FAN
71	0D6327	1	GASKET, SPITBACK				
72	0D2774B	1	BASE, AIRBOX	133	0H4957	2	SCREW HHFCS M8-1.25 X 10 G8.8
73	0D5125	1	SPRING, WINTER/SUMMER VALVE	134	0C3031	1	FAN, NYLON
74	0D2930	1	VALVE, SUMMER / WINTER	135	0E4997	1	ASSY, GROUND WIRE CONNECTOR
75	0D4612A	1	SNORKEL, AIR INTAKE	136	045756	8	SCREW TAPTITE M6-1X10 YELLOW CHROME
76	0D6143	1	TUBE, HEAT RISER 50.8 I.D.	137	0C3725A	1	FLYWHEEL ASSEMBLY
77	0D2775	1	COVER, AIRBOX	138	0G4928C	1	PLATE, BACKING GT990 WITH CUT OUT
78	0D5014A	1	KNOB, AIRBOX 17mm	139	082774	1	KEY, WOODRFF 4 X 19D
79	0D5014B	1	KNOB, AIRBOX 95MM	140	0C3043	2	GASKET, MANIFOLD / PORT
80	049721	1	SCREW HHC M6-1.0 X 35	141	0C9764	4	PLASTITE, 1/4-15 X 3/4
81	022097	1	WASHER LOCK M6-1/4	142	0E9506	1	COOLER, OIL
82	022473	1	WASHER FLAT 1/4	143	0G3662B	5	CLAMP, HOSE OETIKER STEPLESS 18.5mm
83	0E8388	4	NUT, HEX FLANGE WHIZ M6-1.0	144	0F0452C	2	HOSE 3/8" 300PSI 6.5" LG OIL
84	0D6021	4	STUD, METRIC	145	035461	1	BARBED STR 1/4NPT X 3/8
85	0C9093A	1	HOSE, BREATHER	146	070185E	1	OIL FILTER, 90mm NO LOGO
86	0G6454	1	ASSY, CONTROLLER, GTH990 PORTABLE	147	0G4403	1	ASSEMBLY, OIL DRAIN HOSE
87	074908	2	SCREW HHTT M5-0.8 X 10	149	0G6820	1	SWITCH, OIL PRESS
88	082025	1	NUT, HEX LOCK M5-0.8 ZINC	150	0G2363	1	BRACKET, AIRBOX SUPPORT
89	0E3398	1	ASSEMBLY, WIRE	151	0C3018	1	WRAPPER, UPPER CYLINDER 1
90	0G4612	1	CARBURETOR, H990 W/BALL STUD	152	0C3019	1	WRAPPER, LOWER CYLINDER 1
91	0D4026	1	GASKET, CARB TO SPACER (GT-990)	153	0F9176H	1	HOSE, 1/4" SAE 30R7 GREENBAR
92	048031C	3	CLAMP HOSE BAND 1/4	154	0E0409	1	ASSY, ROD, GOV. STEPPER MOTOR
93	0F9176C	1	HOSE 1/4 ID SAE 30R7 GREENBAR 9" PRE-CUT	155	0G0919	6	SCREW HHFCS M6-1.0 X 12
94	0G0510	1	GASKET, MANIFOLD TO CARBURETOR	157	0D9784	1	NUT, LOCK HEX M3-0.5 (GT-990)
95	084409D	1	SLEEVING, FLEXO HW 3/4"	160	0D6147	5	SCREW HHFC M6-1.0 X 10mm
96	0D6313	1	FILTER, FUEL	161	0G3224A	1	ASSY, IGN COIL W/DIODE NO ADV
97	045756	4	SCREW, HHTT M6-1 x 10 LONG	162	048031G	1	CLAMP, HOSE BAND GREEN
98	082025	1	NUT, HEX LOCK M5-0.8 ZINC	163	0D6342	1	BALL STUD, 10mm
99	0G3730B	4	SCREW, SHC M8-1.25 x 25 LG SEMS	164	040173	1	CLAMP, HOSE WORM GEAR
100	0C9911	1	MANIFOLD, INTAKE				
101	051714	1	NUT HEX M3-0.5				
102	0D5411	1	ROD, SUMMER / WINTER VALVE				
103							
104	0D5416	1	KNOB, CONTROL SUMMER / WINTER, BLACK				
105	0D5398	1	CHOKE ASSEMBLY				
106	0E6043	2	SCREW TAPTITE M5-0.8 X 8 ZP				
107	0D3432	1	PANEL, CONTROL FACE PLATE				
108	090388	14	SCREW TAPTITE M6-1.0X 12 CLEAR ZINC				
109	0D4767	1	SWITCH ROCKER				
110	0D1142A	1	WRAPPER, LOWER CYLINDER 2				
111	0D1143	1	WRAPPER, UPPER CYLINDER 2				
112	0F1177	1	ASSEMBLY, GROUND WIRE				
113	0H6244	1	EXTENDED BARBED STR 1/4 NPT X 3/8				
114	0G3110	4	SCREW TAPTITE M6-1.0 X 20 ZINC				
115	0G3224B	1	ASSY, IGN COIL W/DIODE NO ADV				
116	0F6263	1	PUMP, IMPULSE				
117							
118	0G0926	2	SCREW, HHFCS M6-1.0 X 16 G8.8				
119	0G0832	1	ELBOW, RUBBER 90 DEG. GASOLINE				
120	0E7585A	2	SPARKPLUG, CHAMPION RC14YC				
121	0E9323	1	STARTER MOTOR GEAR REDUCED				
122	022129	2	WASHER LOCK M8-5/16				
123	061906	2	SCREW HHC M8-1.25 X 85 G8.8				
124							
125							
126	0D1131	1	GUARD, FAN				



17.5KW (UP THRU SERIAL #3001959571)

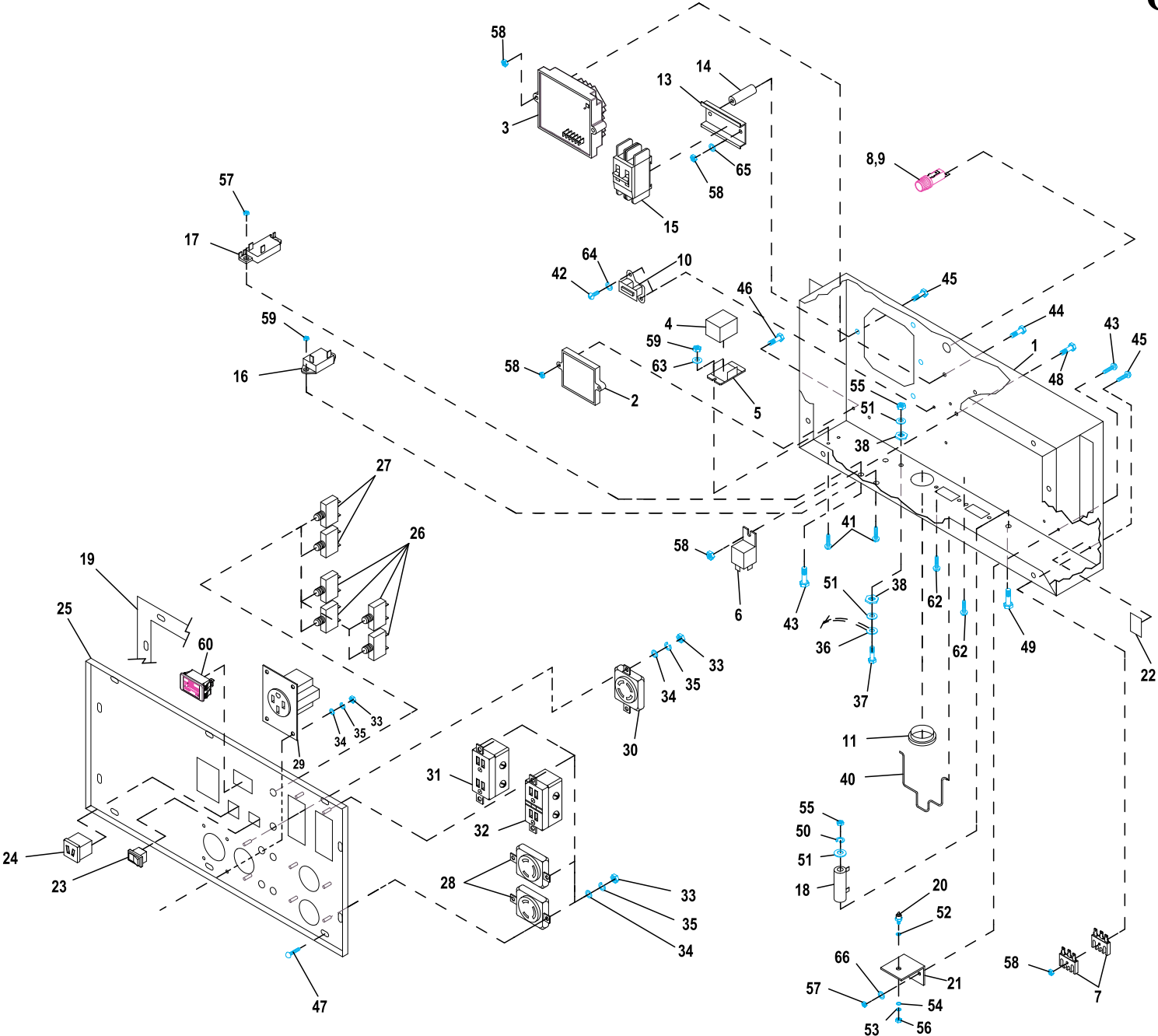
**EXPLODED VIEW: EV CONTROL PANEL GP 15/17.5 KW**

**DRAWING #: 0H0732**

**GROUP EV**

**APPLICABLE TO:**

ITEM	PART#	QTY.	DESCRIPTION
<b>17.5KW (UP THRU SERIAL #3001959571)</b>			
1	0G2890	1	CONTROL PANEL BOX
2	0D4409	1	ELECTRONIC GOVERNOR / IDLE CONTROLLER
3	0F9719	1	ASSY PCB VREG AIR COOLED
4	0F3100	1	RELAY 3PDT 12VDC
5	0F3101	1	RELAY BASE 3PDT 12VDC
6	052844	1	RELAY PNL 12VDC SPST 30A
7	065795	2	RECTIFIER-BATTERY CHARGER
8	032300	1	HOLDER FUSE
9	028578	1	FUSE 10A X AGC10
10	0D4804A	1	TRANSFORMER, IDLE CURRENT
11	023484S	1	BUSHING SNAP
12	0G2887	1	HARNES, CONTROL PANEL BACK(NOT SHOWN)
13	0D5045	1	DIN RAIL 59.5mm LONG
14	0G0923	2	SPACER .25 X .50 X 2.5
15	0D1004E	1	CIRCUIT BREAKER 50A 400V 2POLE
16	087962	1	CIRCUIT BREAKER 10A 1POLE
17	048505	1	CIRCUIT BREAKER 6A 1POLE
18	057405	1	RESISTOR 25R 5% 25W
19	0D6140	2	GASKET, PORTABLE CONTROL PANEL
20	049939	1	RECTIFIER 1N1206R
21	055444	1	HEATSINK
22	027565	A/R	TAPE ELEC UL PERMACEL
23	087968	1	SWITCH, ROCKER -/0
24	090418	1	OUTLET, 12VDC SNAP
25	0H0763	1	PANEL, SHEET METAL
26	075207A	4	CIRCUIT BREAKER 30A
27	075207	2	CIRCUIT BREAKER 20A
28	068868	2	OUTLET 30A 120V RECEPT
29	0D4969	1	OUTLET 50A 125/250V
30	043437	1	OUTLET 30A 125/250V
31	0D4968	1	OUTLET 20A 120V DPLX
32	0D4966	1	OUTLET 20A 120V GFCl
33	051715	10	NUT HEX M4-0.7
34	038150	14	WASHER FLAT #8
35	022264	10	WASHER LOCK M4
36	0742600142	1	GROUND WIRE
37	049721	1	SCREW HHC M6-1.0 X 35
38	0A1658	2	WASHER LOCK SPECIAL 1/4"
39	0D3546	1	HARNES, CONTROL PANEL FRONT(NOT SHOWN)
40	0G0615	1	SPRING RETAINER
41	090987	4	SCREW PPHM M3-0.5 X 12
42	0C1085	2	SCREW PPHM M3-0.5 X 8
43	075475	8	SCREW PPHM M4-0.7 X 10
44	077682	2	SCREW PPHM M5-0.8 X 80
45	075235	3	SCREW PPHM M5-0.8 X 30
46	0G3024	2	SCREW HHC M5-0.8 X 25
47	074908	10	SCREW HHTT M5-0.8 X 10
48	045770	1	SCREW HHC M5-0.8 X 10
49	0A2053	1	SCREW HHC M6-1.0 X 65
50	022097	1	WASHER LOCK M6 (1/4")
51	022473	3	WASHER FLAT 1/4"
52	070370	1	WASHER MICA .203
53	023897	1	WASHER FLAT #10
54	030468	1	WASHER STEP NYLON .20
55	049813	3	NUT HEX M6-1.0
56	022158	1	NUT HEX #10-32
57	0E6480	8	NUT HEX M4-0.7 NYINS
58	082025	8	NUT HEX M5-0.8 NYINS
59	0D9784	4	NUT HEX M3-0.5 NYINS
60	0H8214	1	HOUR METER w/ALERTS AC/DC
61	0H0758	1	WIRE ASM, HOUR METER(NOT SHOWN)
62	0F5458	4	SCREW HHSP #10 X 3/8 HI-LOW
63	031879	4	WASHER FLAT #4
64	043182	2	WASHER LOCK M3
65	051713	2	WASHER FLAT M5
66	043180	6	WASHER FLAT M4
67	0H1330	1	ENGINE HARNES(NOT SHOWN)



**15KW AND 17.5KW (AFTER SERIAL #3001959571)**

**EXPLODED VIEW: EV CONTROL PANEL GP 15/17.5 KW**

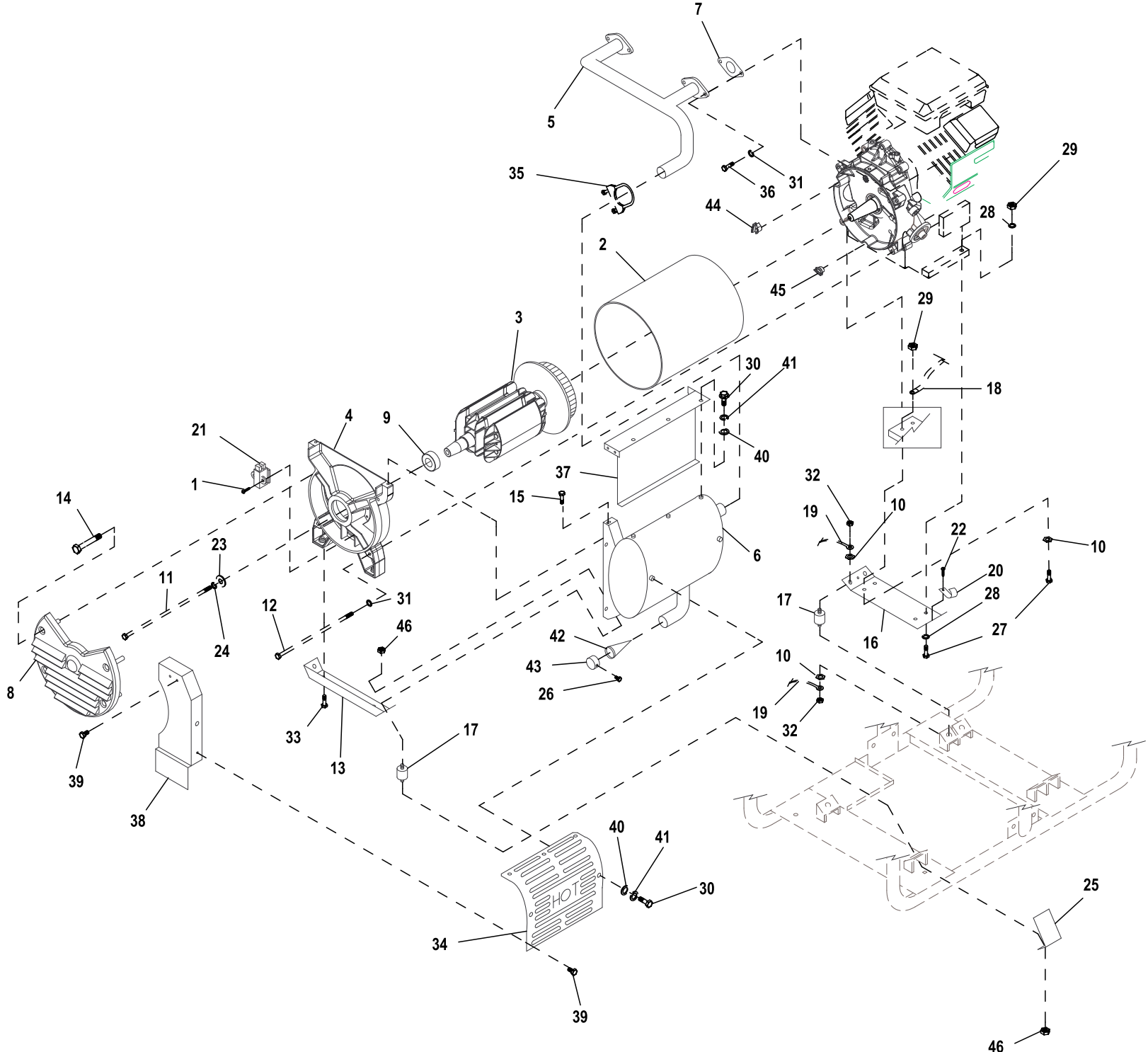
**DRAWING #: 0H0732**

**GROUP EV**

**APPLICABLE TO:**

ITEM	PART#	QTY.	DESCRIPTION
<b>15KW AND 17.5KW (AFTER SERIAL #3001959571)</b>			
1	0G2888	1	CONTROL PANEL BOX
2	0D4409	1	ELECTRONIC GOVERNOR / IDLE CONTROLLER
3	0F9719	1	ASSY PCB VREG AIR COOLED
4	0F3100	1	RELAY 3PDT 12VDC
5	0F3101	1	RELAY BASE 3PDT 12VDC
6	052844	1	RELAY PNL 12VDC SPST 30A
7	065795	2	RECTIFIER-BATTERY CHARGER
8	032300	1	HOLDER FUSE
9	028578	1	FUSE 10A X AGC10
10	0D4804A	1	TRANSFORMER, IDLE CURRENT
11	023484S	1	BUSHING SNAP
12	0G2887	1	HARNES, CONTROL PANEL BACK(NOT SHOWN)
13	0D5045	1	DIN RAIL 59.5mm LONG
14	0D5734	2	SPACER .25 X .50 X 1.5
15	0D1004E	1	CIRCUIT BREAKER 50A 400V 2POLE
16	087962	1	CIRCUIT BREAKER 10A 1POLE
17	048505	1	CIRCUIT BREAKER 6A 1POLE
18	057405	1	RESISTOR 25R 5% 25W
19	0D6140	2	GASKET, PORTABLE CONTROL PANEL
20	049939	1	RECTIFIER 1N1206R
21	055444	1	HEATSINK
22	027565	A/R	TAPE ELEC UL PERMACEL
23	087968	1	SWITCH, ROCKER -/0
24	090418	1	OUTLET, 12VDC SNAP
25	0H0761	1	PANEL, SHEET METAL
26	075207A	4	CIRCUIT BREAKER 30A
27	075207	2	CIRCUIT BREAKER 20A
28	068868	2	OUTLET 30A 120V RECEPT
29	0D4969	1	OUTLET 50A 125/250V
30	043437	1	OUTLET 30A 125/250V
31	0D4968	1	OUTLET 20A 120V DPLX
32	0D4966	1	OUTLET 20A 120V GFCl
33	051715	14	NUT HEX M4-0.7
34	038150	14	WASHER FLAT #8
35	022264	14	WASHER LOCK M4
36	0742600142	1	GROUND WIRE
37	049721	1	SCREW HHC M6-1.0 X 35
38	0A1658	2	WASHER LOCK SPECIAL 1/4"
39	0D3546	1	HARNES, CONTROL PANEL FRONT(NOT SHOWN)
40	0G0615	1	SPRING RETAINER
41	090987	4	SCREW PPHM M3-0.5 X 12
42	0C1085	2	SCREW PPHM M3-0.5 X 8
43	075475	4	SCREW PPHM M4-0.7 X 10
44	080823	2	SCREW PPHM M5-0.8 X 50
45	075235	3	SCREW PPHM M5-0.8 X 30
46	0G3024	2	SCREW HHC M5-0.8 X 25
47	074908	10	SCREW HHTT M5-0.8 X 10
48	045770	1	SCREW HHC M5-0.8 X 10
49	0A2053	1	SCREW HHC M6-1.0 X 65
50	022097	1	WASHER LOCK M6 (1/4")
51	022473	3	WASHER FLAT 1/4"
52	070370	1	WASHER MICA .203
53	023897	1	WASHER FLAT #10
54	030468	1	WASHER STEP NYLON .20
55	049813	3	NUT HEX M6-1.0
56	022158	1	NUT HEX #10-32
57	0E6480	4	NUT HEX M4-0.7 NYINS
58	082025	8	NUT HEX M5-0.8 NYINS
59	0D9784	4	NUT HEX M3-0.5 NYINS
60	0H8214	1	HOUR METER w/ALERTS AC/DC
61	0H0758	1	WIRE ASM, HOUR METER(NOT SHOWN)
62	0F5458	4	SCREW HHSP #10 X 3/8 HI-LOW
63	031879	4	WASHER FLAT #4
64	043182	2	WASHER LOCK M3
65	051713	2	WASHER FLAT M5
66	043180	8	WASHER FLAT M4
67	0H1330	1	ENGINE HARNES(NOT SHOWN)





**EXPLODED VIEW: EV GENERATOR 990 GP PORTABLE****DRAWING #: 0H0766****GROUP EV**

<b>ITEM</b>	<b>PART#</b>	<b>QTY.</b>	<b>DESCRIPTION</b>
1	066849	2	SCREW HHTT M5-0.8 X 16
2	0G2921	1	STR-102-15.0AD1 PORT
	0G2923	1	STR-102-17.5AD1 PORT
3	0G2922SRV	1	RTR-102-15 AD1 PORT W/FAN
	0G2924SRV	1	RTR-102-18.0AD1 PORT W/FAN
4	0C6043B	1	CARRIER, REAR BEARING
5	0D2492	1	EXHAUST MANIFOLD
6	0D2726	1	MUFFLER
7	0C4138	2	GASKET, EXHAUST
8	0D3547	1	COVER, ALTERNATOR AIR IN
9	031971	1	BEARING
10	0C3168	3	5/16 SPECIAL LOCK WASHER
11	0D1838	1	SCREW IHHC 3/8-24 X 15.50 G5
12	0D3549	4	SCREW IHHC M8-1.25 X 400 G8.8
13	0C7038E	1	BRACKET, ALT MOUNTING
14	032712	4	SCREW HHTT #10-32 X 1.75
15	0D4662	1	SCREW HHTT M8-1.2 X 20
16	0C7038D	1	ENGINE MOUNTING PLATE
17	0C7758	6	RUBBER MOUNT
18	0388050AF0	1	BATTERY CABLE, BLACK
19	0C2417A	1	EARTH STRAP 3/8X 3/8
20	082121C	1	CLIP-J VINYL COAT .625 ID
21	066386	1	ASSEMBLY, BRUSH HOLDER
22	0C2824	1	SCREW TAP-R #10-32 X 9/16
23	0G2551	1	WASHER FLAT 3/8 G8.8
24	022237	1	WASHER LOCK 3/8
25	0D6214	1	SHIELD, RUBBER MOUNT
26	045764	1	SCREW HHTT M4-0.7 X 8
27	051731	4	SCREW HHC M8-1.25 X 50 G8.8
28	022145	5	WASHER FLAT 5/16 ZINC
29	049820	4	NUT LOCK HEX M8-1.25 NYLON INSERT
30	043116	7	SCREW HHC M6-1.0 X 12
31	022129	7	WASHER LOCK M8-5/16
32	022259	2	NUT HEX 5/16-18 STEEL
33	059637	2	SCREW TAPTITE 3/8-16 X 3/4 BP
34	0D5100	1	SHIELD, MUFFLER HEAT
35	0D5823	1	U-BOLT & SADDLE
36	0C8565	4	SCREW SHC M8-1.25 X 18
37	0D5833	1	PANEL, MUFFLER BOX BACK
38	0D5834	1	PANEL, MUFFLER BOX END
39	090388	3	SCREW HHTT M6-1.0 X 12
40	022473	5	WASHER FLAT M6-1/4
41	022097	5	WASHER LOCK M6-1/4
42	0D5133	1	SPARK ARRESTOR SCREEN
43	0D5133A	1	RETAINER, SPARK ARREST SCREEN
44	0G2387	1	PLUG, GEARCOVER ADAPTOR
45	0K4360	1	PLUG, GEAR COVER, SMALL
46	0H6559	10	NUT HEX FLANGE WHIZ 5/16-18