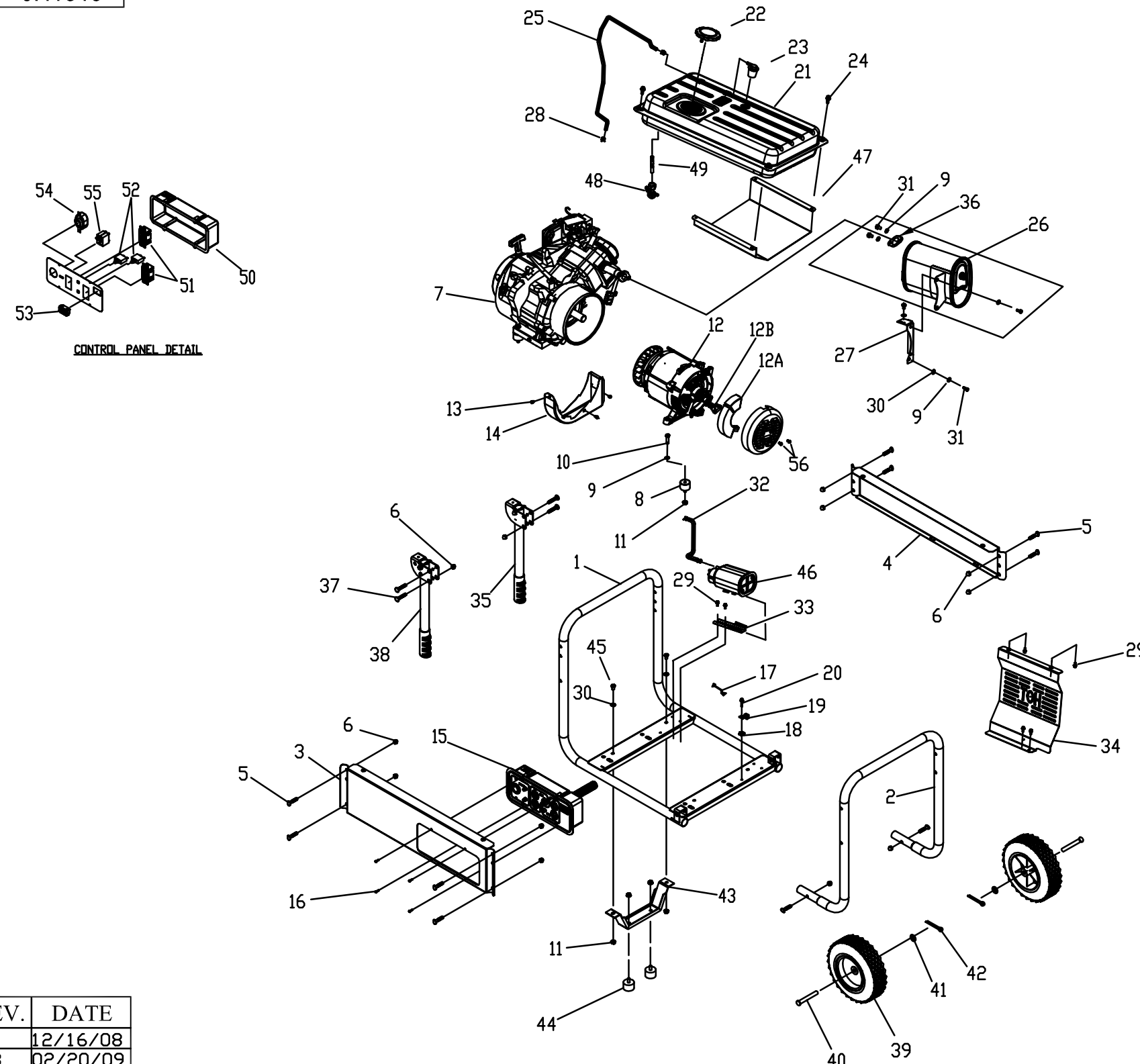


PART NO. 0H1319



ITEM	PART #	QTY	DESCRIPTION	ITEM	PART #	QTY	DESCRIPTION
1	0H0168	1	ASSY, CRADLE BASE	40	0H0204	2	AXLE PIN, 1/2" X 4"
2	0G8326	1	CRADLE END	41	022304	2	WASHER, FLAT 1/2"
3	0G8327	1	PANEL RAIL	42	0D4999	2	COTTER PIN
4	0G8328	1	BACK RAIL	43	0H1114	1	BENT FOOT FRAME
5	0G8467	10	CURVED HEAD BOLT, 5/16-18	44	0G8478	2	RUBBER FOOT
6	0G8486	12	CAP NUT, LOCKING 5/16-18	45	036223	2	SCREW, HHC 5/16-18 X 1/2"
7	0H0990	1	ENGINE, 389CC	46	0H0957	1	CARBON CANISTER
8	0G8527	4	VIBRATION MOUNT	47	0H2318	1	HEAT SHIELD, CARB FUEL TANK
9	022129	10	WASHER, LOCK M8-5/16	48	0H1684	1	VALVE, FUEL SHUTOFF
10	033212	4	SCREW, HHC 5/16-18 X 1-1/4"	49	0H1613	1	FILTER, FUEL SHUTOFF VALVE
11	069673J	8	NUT, LOCKING FLANGE 5/16-18	50	0G9756	1	RECEPTACLE PANEL
12	0H1281	1	ALTERNATOR, 6.5KW BRUSH TYP	51	0D4966	2	OUTLET, 20A GFCI
12A	0H12810101	1	AVR FOR ALTERNATOR	52	0H0265C	2	CIRCUIT BREAKER, 20A 1P
12B	0H12810102	1	BRUSH FOR ALTERNATOR	53	0G8321	1	HOUR METER
13	0E5845	3	SCREW, HHC M5-0.8 X 8	54	0G8758	1	OUTLET, 30A 125/250V
14	0G8654	1	SCROLL, ALTERNATOR	55	0G9023E	1	CIRCUIT BREAKER, 27A 2P
15	0H1165C	1	ASSY, CONTROL PANEL 27A	56	091526	5	SCREW, PPHM M5-0.8 X 12
16	0G8382	4	SCREW, PPH #8-16 X 1/2"				
17	0G8753C	1	ASSY, GROUND WIRE				
18	0A1658	1	WASHER, LOCK SPECIAL 1/4"				
19	055414	1	LUG, SOLDERLESS #2-#8				
20	092079	1	SCREW, HHTT M6-1.0 X 25				
21	0H0960	1	ASSY, FUEL TANK 6.6 GALLON				
22	0H0958	1	ASSY, FUEL CAP SEALED				
23	0H1142	1	ROLL OVER VALVE				
24	0G5445	4	SCREW, HHTT M8-1.25 X 20				
25	0H1207	1	EVAPORATIVE HOSE, FUEL TANK				
26	0H1108	1	MUFFLER, 389CC CARB				
27	0G8542	1	MUFFLER BRACKET				
28	048031C	2	CLAMP, HOSE BAND				
29	090388	6	SCREW, HHTT M6-1.0 X 12				
30	022145	6	WASHER, FLAT 5/16-18				
31	043107	5	SCREW, HHC M8-1.25 X 25				
32	0H1082	1	BREATHER TUBE, CARBON CAN.				
33	0G9568	1	BRACKET, CARBON CANISTER				
34	0G8713	1	HEAT SHIELD				
35	0G8530B	1	ASSY, HANDL LEFT SIDE				
36	0G9028	1	GASKET, MUFFLER				
37	0H0031	4	CARRIAGE HEAD BOLT, 5/16-18				
38	0G8533B	1	ASSY, HANDLE RIGHT SIDE				
39	0G8651	2	TIRE, 9.5"				

E.C.O.	REV.	DATE
---	A	12/16/08
H-4000	B	02/20/09
H-4139	C	03/25/09
H-5607	D	12/11/09
H-6252	E	3/16/10

MODEL: 005700-0
GP 6.5kW PULL START CARB

DO NOT SCALE

GROUP

EXPLODED VIEW:		GP 6.5kW CA PORTABLE		GENERAC POWER SYSTEMS	
DRAWN BY:	LWILKEN	DATE:	11/13/08	P.O. BOX 8 WAUKESHA, WIS. 53186	
CHECKED BY:	DCCHENET	DATE:	12/02/08	FIRST USE:	05700-0
APPROVED BY:	S. SHOKRZADEH	DATE:	12/02/08	PART NO.:	0H1319
RELEASED FOR PRODUCTION BY:	S. SHOKRZADEH	DATE:	12/02/08	REV.:	E