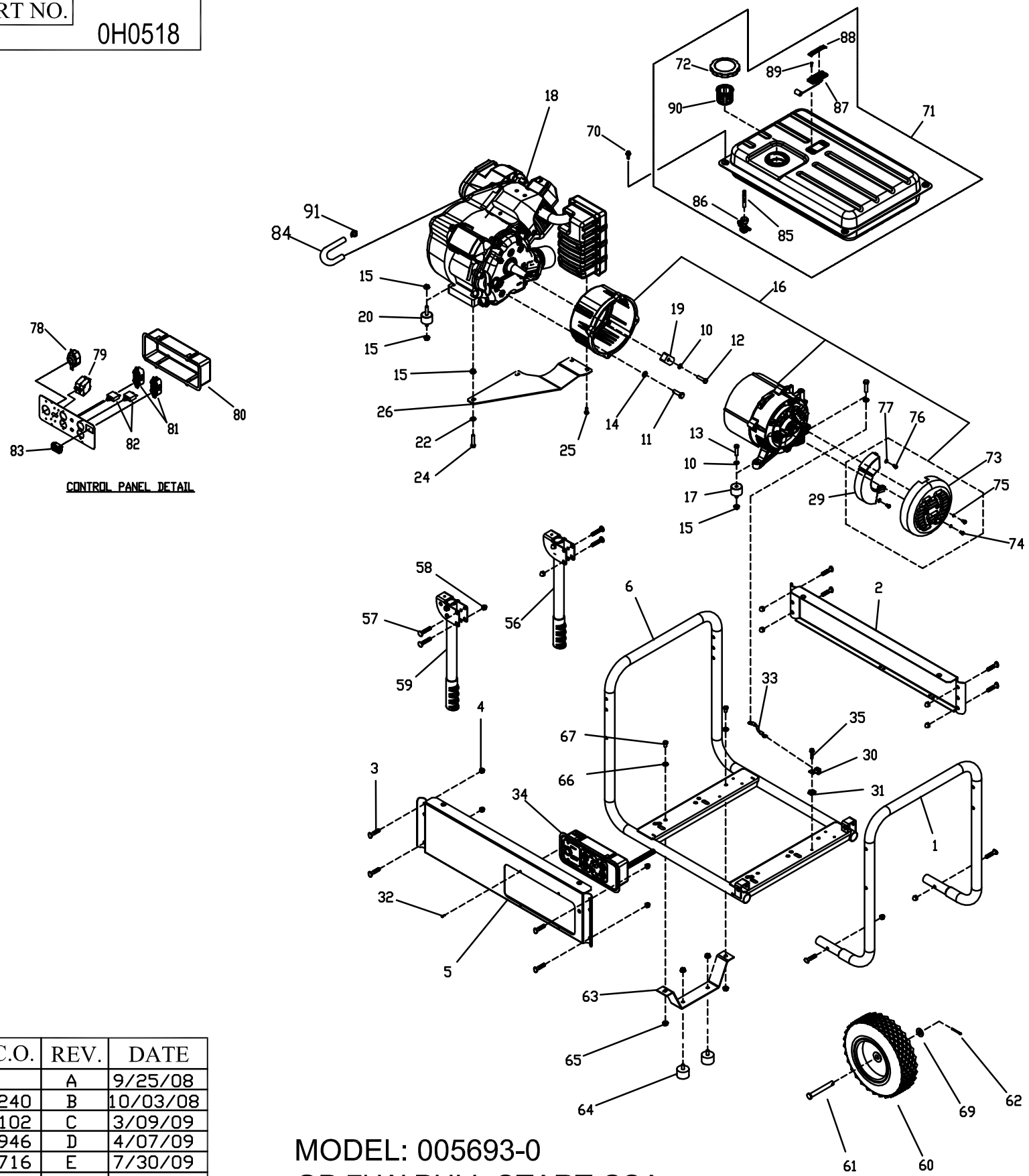


PART NO. 0H0518



ITEM	PART #	QTY.	DESCRIPTION	ITEM	PART #	QTY.	DESCRIPTION
1	0G8326G T15	1	CRADLE END	59	0G8533B	1	ASSY, HANDLE RIGHT HAND
2	0G8328	1	BACK RAIL	60	0G851	2	TIRE, 9.5" DIA R/JN FLAT PLASTIC / RUBBER
3	0G8467	10	CURVED HEAD BCL T 5/16-18 X 1.625" LONG	61	0H0204	2	AXLE PIN, 1/2" X 4" LONG
4	0G8466	12	CAP NUT LOCKING 5/16-18 THREAD	62	0D4999	2	COTTER PIN
5	0G8327	1	PANEL RAIL	63	0H1114	1	BENT FOOT, FRAME
6	0G8326	1	CRADLE END	64	0G8478	2	RUBBER FOOT
10	022129	3	WASHER, LOCK M8-5/16	66	022145	2	WASHER, FLAT 5/16-18 / M8
11	022511	3	SCREW, HHC 3/8-16 X 1-1/4	67	036223	2	SCREW, HHC 5/16-18 X 1/2"
12	00209	1	SCREW, HHC 5/16-24 X 1-1/4	69	022302	2	WASHER, FLAT 1/2"
13	033212	2	SCREW, HHC 5/16-18 X 1-1/4	70	0G5445	4	SCREW, HHTT M8-1.25 X 20
14	046262	3	WASHER, LOCK M 10	71	0G8489	1	ASSY, FUEL TANK 8 GALLON
15	069673J	8	NUT, LOCK FLANGE 5/16-M8	72	0H1325A	1	FUEL CAP-VENTED
16	0G8446	1	ALTERNATOR, 700W SAE BRUSHLESS	73	0H3049	1	COVER, ALTERNATOR INLET
17	0G8527	2	VIB MOUNT 1.38 X 1 X 5/16-18 MF	74	052618	2	SCREW, HHC M5-0.8 X 12
18	0G9810	1	ENGINE, GH410 PULL START	75	049226	2	WASHER, LOCK M5
19	0G9882	1	BRACKET, MOUNT 7KW ALTERNATOR	76	049816	2	SCREW, HHC M5-0.8 X 16
20	0G9883	2	VIBRATION MOUNT 1.38 X 1 X 5/16-18 M/M	77	051713	2	WASHER, FLAT M5
22	022145	2	WASHER, FLAT 5/16-18-M8	78	0G8758	1	OUTLET, 30A 125/250V SP CGR
24	00209	2	SCREW, HHC 5/16-24 X 1-1/4	79	0G9033C	1	CB, 30A 2P 240V
25	0G0926	2	SCREW, HHC M6-1.0 X 16	80	0G9756	1	RECEPTACLE PANEL
26	0H2521	1	BRACKET, MUFFLER MOUNT GH410	81	0G8507	2	OUTLET, 20A 120V DPLX SPEC GRADE
27	0C7649	1	CLAMP, HOSE 3/8" (NOT SHOWN FOR FUEL HOSE)	82	0H0265C	2	CB 20A 1P 120V CUL/CSA
28	0H4044	1	ENGINE ADAPTOR, 410CC	83	0G8321	1	HOUR METER
29	0G84440101	1	CAPACITOR FOR 0G8444 ALTERNATOR	84	0G9758	1	FUEL HOSE 4 ID X 8.5 OD X 160mm
30	05414	1	LUG, SOLDERLESS #2-#8 X 17/64	85	0H1613	1	FILTER, FUEL VALVE
31	0A1658	1	WASHER, LOCK SPECIAL 1/2"	86	0H1684	1	VALVE, FUEL SHUTOFF
32	0G8362	4	SCREW, PPPH #8-16 X 1/2"	87	0H1345D	1	FUEL GAGE, 115MM LONG ARM
33	0G8753C	1	ASSY, GROUND WIRE ALTERNATOR TO BASE	88	0H1359	1	PLATE, FUEL GAGE
34	0G9892E	1	ASSY, CONTROL PANEL, 30A 2P CSA	89	0H1357	2	SCREW, PFHM M5-0.8 X 12
35	00209	1	SCREW, M6-1.0 X 25	90	0H1326	1	FUEL FILTER
55	0G8470	1	ACCESSORY KIT	91	048031G	1	CLAMP, HOSE BAND
56	0G8530B	1	ASSY, HANDLE LEFT HAND				
57	0H0031	4	SCREW, CHB CUSTOM 5/16-18 X 46mm LONG				

E.C.O.	REV.	DATE
	A	9/25/08
H-3240	B	10/03/08
H-4102	C	3/09/09
H-3946	D	4/07/09
H-4716	E	7/30/09
H-6252	F	3/16/10

MODEL: 005693-0  
GP 7kW PULL START CSA

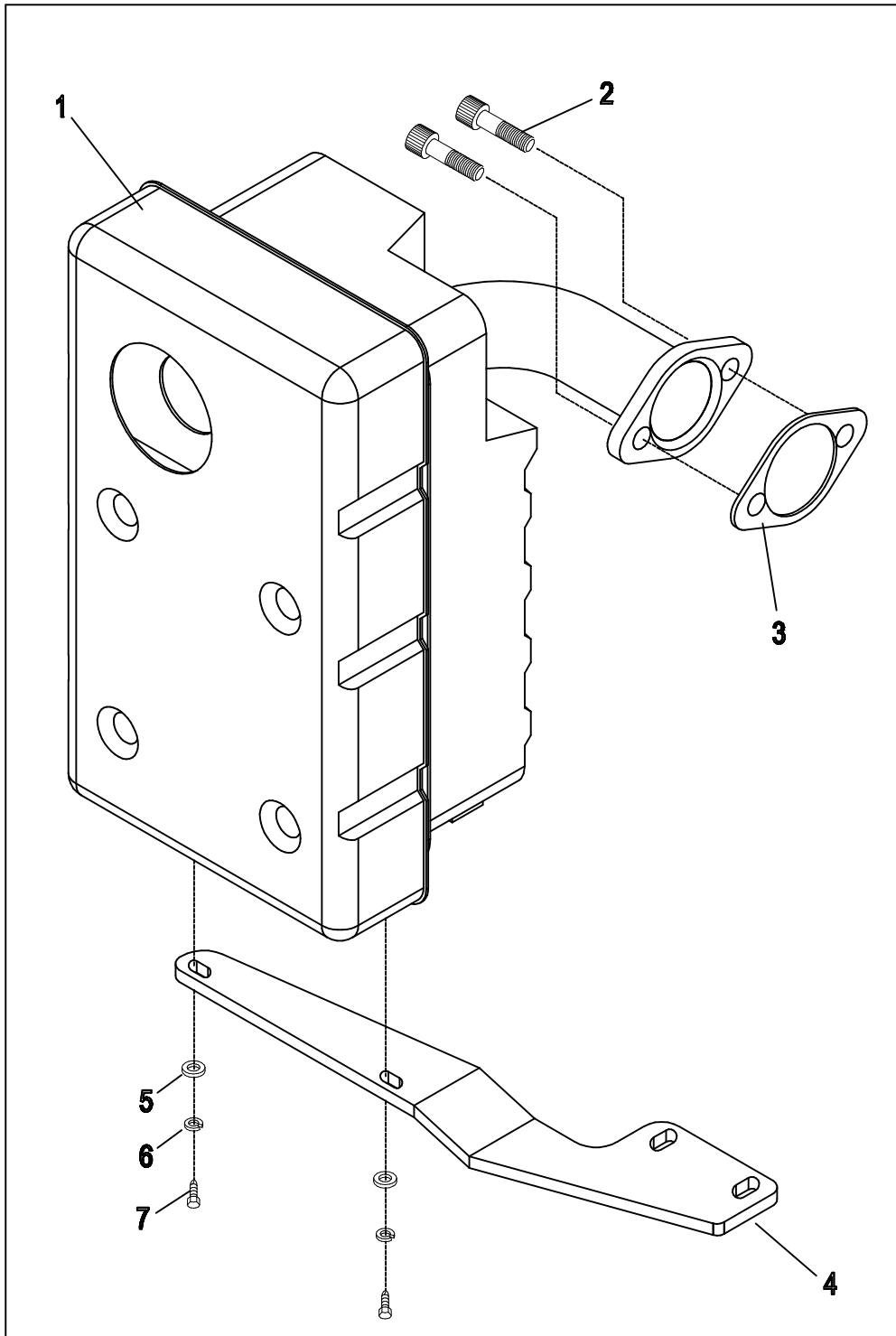
DO NOT SCALE

GROUP

EXPLODED VIEW:		GP 7kW PORTABLE CSA		GENERAC POWER SYSTEMS	
DRAWN BY:	DMC	DATE:	9/19/08	P.O. BOX 8 WAUKESHA, WIS. 53186	
CHECKED BY:	DREW	DATE:	9/23/08	FIRST USE:	005693-0
APPROVED BY:	SS	DATE:	9/23/08	PART NO.:	0H0518
RELEASED FOR PRODUCTION BY:	S. SHOKRZADEH	DATE:	9/23/08	REV.:	F

APPLICABLE TO:

MUFFLER OPTION  
ENGINE PRODUCTION LEVEL 9E



**EXPLODED VIEW: MUFFLER, 410 SIDE OUT  
DRAWING #: 0E5081 REV. B**

**GROUP**

**APPLICABLE TO:**

<b>ITEM</b>	<b>PART #</b>	<b>QTY.</b>	<b>DESCRIPTION</b>
1	0E5223A	1	MUFFLER, 410 SIDE-OUT ALUMINIZED
2	0G3730	2	SCREW SHC M8-1.25 X 20 SEMS
3	090239	1	GASKET, EXHAUST
4	0E6047	1	BRACKET, GH410 MUFFLER SUPPORT
5	022473	2	WASHER FLAT ¼ - M6 ZINC
6	022097	2	WASHER LOCK M6 - ¼
7	043146	2	SCREW HHC M6-1.0 X 10 G8.8