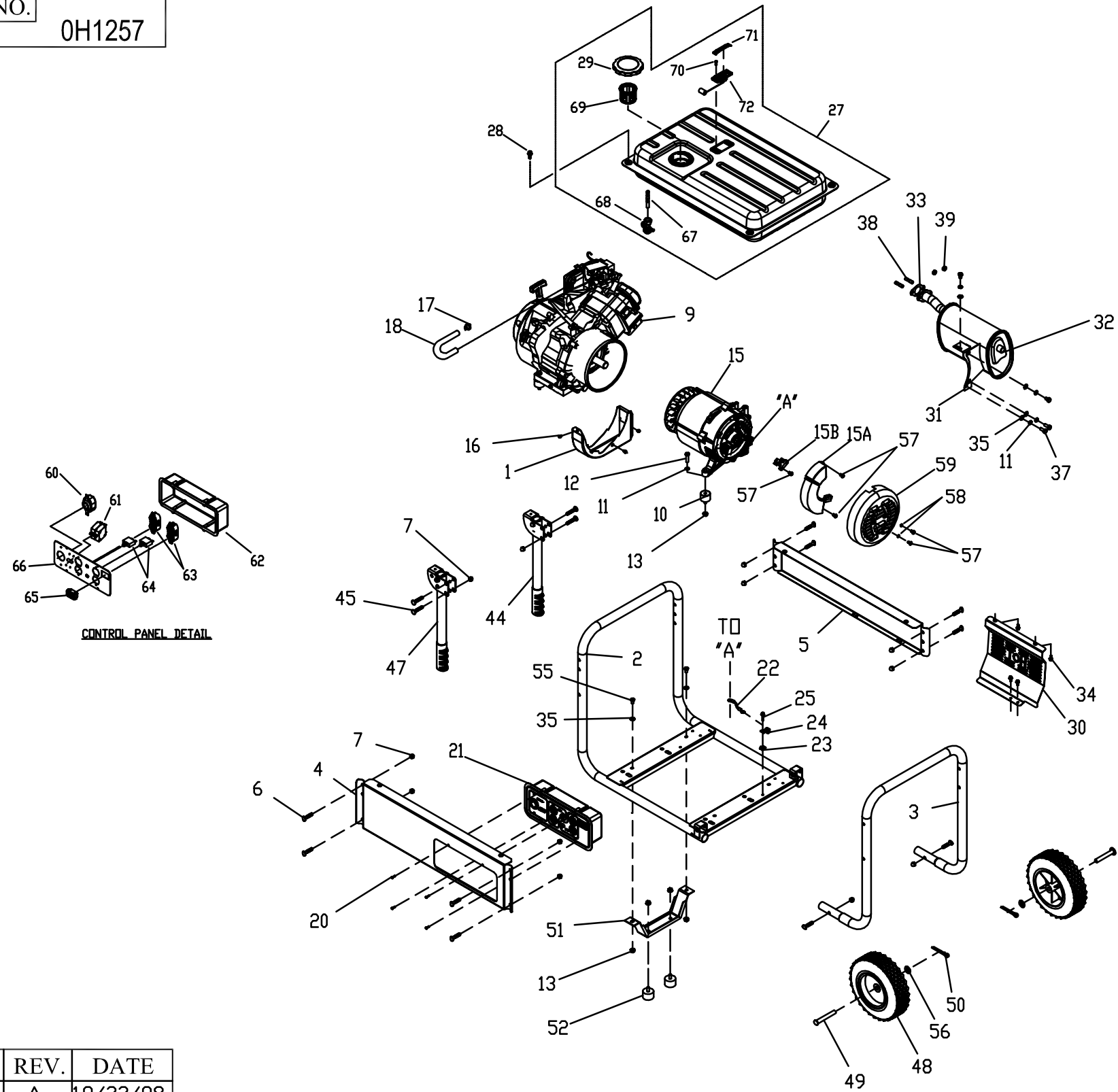


PART NO. 0H1257



ITEM	PART #	QTY.	DESCRIPTION	ITEM	PART #	QTY.	DESCRIPTION
1	0G864	1	SCROLL, ALTERNATOR	57	09152	5	SCREW, PPH M5-0.8 X 12
2	0H061	1	ASSY, CRADLEBASE	58	04925	2	WASHER, LOCK M5
3	0G826	1	CRADLE END	59	0H3049	1	COVER, ALTERNATOR INLET
4	0G827	1	PANEL RAIL	60	0G8758	1	OUTLET, 30A 125/250V SPOGR
5	0G828	1	BACK RAIL	61	0G9023F	1	CB 21A 2P 240V
6	0G8457	10	CURVED HEAD BOLT 5/16-18 X 1.025"	62	0G9256	1	RECEPTACLE PANEL
7	0G8466	12	CAP NUT LOCKING 5/16-18	63	0G8507	2	OUTLET, 20A 120V DUPLEX SPECGRADE
9	0G8442	1	ENGINE, 389cc W/OUT MUFFLER	64	0H0265C	2	CB, 20A 1P 120V CUL/CSA
10	0G8527	4	VB MOUNT 1.38 X 1 X 5/16-18 M/F	65	0G8321	1	HOUR METER
11	022129	8	WASHER LOCK M8-5/16	66	0G9908E	1	COVER, RECEPTACLE PANEL
12	03212	4	SCREW, HHC 5/16-18 X 1-1/4	67	0H1613	1	FILTER, FUEL VALVE
13	069273J	8	NUT LOCK FLANGE 5/16-18	68	0H1684	1	VALVE, FUEL SHUTOFF
15	0G9924	1	ALTERNATOR, 5500W BRUSH TYPE	69	0H1326	1	FUEL FILTER
15A	0G9924101	*	AVR FOR 0G9924	70	0H1357	2	SCREW, PPH M5.0 X 12
15B	0G9924102	*	BRUSH-ALTERNATOR	71	0H1359	1	PLATE, FUEL GAGE
16	0E3845	3	SCREW, HHC M 5.0 X 8	72	0H1945A	1	FUEL GAGE, 90MM LONG ARM
17	048031G	1	CLAMP, HOSE BAND 0.41				
18	0G9757	1	FUEL HOSE, 4ID X 8.5 OD X 120mm				
20	0G8382	4	SCREW, PPH #8-16 X 1/2"				
21	0G9892B	1	ASSY, RECEPTACLE PANEL 21A CSA				
22	0G8753C	1	ASSY, GROUND WIRE ALT. TO BASE				
23	0A1658	1	WASHER, LOCK SPECIAL 1/2"				
24	05414	1	LUG, SOLDERLESS #8-#8 X 17/64				
25	02079	1	SCREW, HHTT M6-1.0 X 25				
27	0G8480	1	ASSY, FUEL TANK 6.6 GAL.				
28	0G5445	4	SCREW, HHTT M8-1.25 X 20				
29	0H1325A	1	FUEL CAP, VENTED				
30	0G8713	1	HEAT SHIELD, 5.6 KW				
31	0G8542	1	BRACKET, MUFFLER 389cc				
32	0G8543	1	MUFFLER, 389cc				
33	0G9028	1	GASKET, MUFFLER 389cc				
34	060388	4	SCREW, HHTT M6-1.0 X 12				
35	02145	6	WASHER, FLAT 5/16-M8				
37	09253	4	SCREW, HHC M 8-1.25 X 20				
38	04576HM	2	STUD, M8-1.25 X 35				
39	045771	2	HEX NUT M8-1.25				
44	0G8530B	1	ASSY, HANDLE LEFT HAND				
45	0H0031	4	CARRIAGE HEAD BOLT 5/16-18 X 1.75" LONG				
47	0G8530B	1	ASSY, HANDLE RIGHT HAND				
48	0G8651	2	TIRE, 9.5" DIA RUN FLAT PLASTIC/RUBBER				
49	0H0204	2	AXLE PIN, 1/2" X 4"				
50	0D4899	2	COTTER PIN, 1/8" X 1-1/4"				
51	0H1114	1	BENT FOOT, FRAME				
52	0G8478	2	RUBBER FOOT				
55	06223	2	SCREW, HHC 5/16-18 X 1/2"				
56	022304	2	WASHER, FLAT 1/2"				

E.C.O.	REV.	DATE
---	A	10/22/08
H-3449	B	11/6/08
H-3946	C	4/07/09
H-4716	D	7/30/09
H-6252	E	3/16/10

MODEL: 005688-0
GP 5.0kW PULL START CSA

DO NOT SCALE

GROUPEV

EXPLODED VIEW: GP 5.0kW PORTABLE CSA		GENERAC POWER SYSTEMS P.O. BOX 8 WAUKESHA, WIS. 53186	
DRAWN BY:	KNM	DATE:	10/22/08
CHECKED BY:	DMC	DATE:	10/29/08
APPROVED BY:	SS	DATE:	10/29/08
RELEASED FOR PRODUCTION BY:	SAEID SHOKRZADEH	DATE:	10/29/08
FIRST USE:		5688-0	
PART NO.:		0H1257	
REV.:		E	