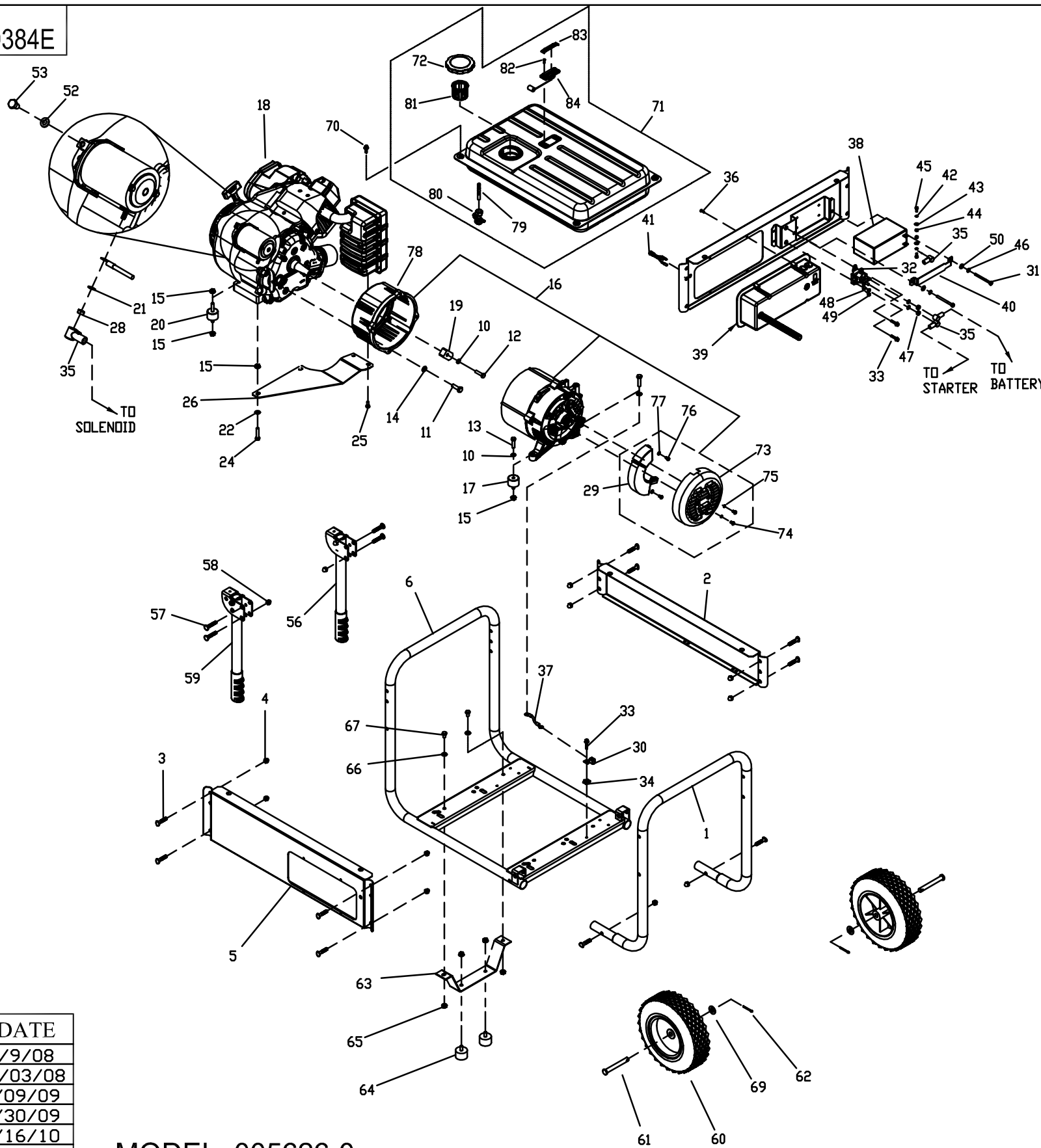
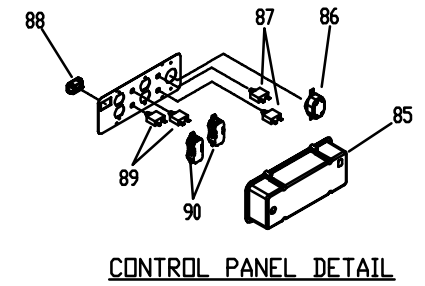


PART NO. 0G9384E



ITEM	PART #	QTY.	DESCRIPTION	ITEM	PART #	QTY.	DESCRIPTION
1	0G3826	1	CRADLE END	47	02217	2	NUT HEX 1/4-20
2	0G3828	1	BACK RAIL	48	02264	2	WASHER LOCK #8-11
3	0G8467	10	CURVED HEADBOLT 5/16-18 X 1.625' LONG	49	02271	2	NUT HEX #8-32 STEEL
4	0G3486	10	CAP NUT LOCKING 5/16-18 THREAD	50	02243	2	WASHER FLAT 1/4-16
5	0G3005	1	PANEL RAIL, ELECTRIC START	51	04028	1	LOOSE WIRE GPORT ELEC START (NOT SHOWN)
6	040168	1	ASSY, CRADLE BASE	52	022129	1	WASHER LOCK #8-5/16
10	022129	3	WASHER LOCK #8-5/16	53	051754	1	SCREW, HHC #8-1.25 X 12
11	022511	3	SCREW, HHC 3/8-16 X 1-1/4 GS	55	0G8470B	1	ACCESSORY KIT, 14 GRAY (VINs: 55-69)
12	030209	1	SCREW, HHC 5/16-24 X 1-1/4 GS	56	0G8530B	1	ASSY, HANDLE LH ORANGE
13	033212	2	SCREW, HHC 5/16-18 X 1-1/4 GS	57	040031	4	CHB CUSTOM 5/16-18 X 46mm LONG
14	046526	3	WASHER LOCK #10	58	0G8486	2	CAP NUT LOCKING 5/16-18
15	066673J	8	NUT LOCK FLG 5/16-18	59	0G8533B	1	ASSY, HANDLE RH
16	0G3446	1	ALTERNATOR, 7000W SAE, BRUSHLESS	60	0G8651	2	TIRE 95" DIARUN FLAT PLASTIC / RUBBER
17	0G36527	2	VIB MOUNT 1.38 X 1.0 X 5/16-18 MALE/ FEMALE	61	040204	2	AXLE PIN 1/2" X 4"
18	0G3811	1	ASSEMBLY, ENGINE GH-410	62	044999	2	RN, COTTER
19	0G3832	1	BRACKET, MOUNT 7kW ALTERNATOR	63	041114	1	FRAME, BENT FOOT
20	0G3833	2	VIB MOUNT RUBBER 1.38 X 1.0 X 5/16-18 NIM	64	0G8478	2	RUBBER FOOT
22	022145	2	WASHER FLAT 5/16-18 #8	66	022145	2	WASHER FLAT 5/16-18
24	030231	2	SCREW, HHC 5/16-18 X 1-1/2	67	036223	2	SCREW, HHC 5/16-18 X 1/2
25	0G3926	2	HFC S M6-1.0 X 16	69	022304	2	WASHER FLAT 1/2"
26	042521	1	BRACKET, MOUNTING, MUFFLER GH-110	70	0G5445	4	SCREW, HIT #8-1.25 X 20
27	0C7649	1	CLAMP, HOSE, 38-87 (NOT SHOWN FUEL HOSE)	71	0G8469	1	ASSY, FUEL TANK 8.0 GAL
28	049813	1	NUT, HEX M6-1.0 G8	72	041325A	1	FUEL CAP, VENTED
29	0G34440101	1	CAPACITOR, VOLTAGE REGULATOR	73	043049	1	COVER, ALTERNATOR INLET
30	055414	1	LUG, SOLDERLESS #2 #8 X 176 4CU	74	052618	2	SCREW, HHC M5.0 x 12
31	055816	2	SCREW, HHC M6-1.0 X 70	75	049226	2	WASHER LOCK #6
32	086729	1	CONTACTOR, STARTER SOLENOID	76	049815	2	SCREW, HHC M5.0 x 16
33	092079	1	ASSY, GROUND WIRE ALTERNATOR TO BASE	77	051713	2	WASHER FLAT #6
34	041658	1	WASHER, LOCK SPECIAL 1/2"	78	044044	1	ENGINE ADAPTOR, 410cc
35	0G3392	2	BOOT, VINYL-STARTER CONTACTOR	79	041613	1	FILTER, FUEL VALVE
36	0G3382	4	SCREW, PPPH #8-16 X 1/2 B2C	80	041684	1	VALVE, FUEL SHUTOFF
37	0G3753C	1	ASSY, GROUND WIRE, ALT. TO BASE (NOT SHOWN)	81	041326	1	FUEL FILTER
38	0G3449	1	BATTERY, 12V 10AH	82	041357	2	SCREW, PH #MM5.0 x 12
39	0G3776B	1	RECEPTACLE PANEL 30A RND WHR MTR	83	041359	1	PLATE, FUEL GAGE
40	0G3882	1	BRACKET, BATTERY HOLD DOWN	84	041345D	1	FUEL GAGE, 115mm LONG ARM
41	040025	1	ASSY, DC POWER JACK	85	0G9756	1	RECEPTACLE PANEL
42	022152	2	WASHER, LOCK #10	86	0G8758	1	OUTLET, 30A 120/250V
43	023897	2	WASHER, FLAT #10 ZINC	87	040265E	2	CIRCUIT BREAKER, 30A 120V
44	051716	2	NUT, HEX M5.0 8G8 CLEAR ZINC	88	0G8321	1	HOUR METER
45	052518	2	SCREW, HHC M5.0 X 12	89	040265C	2	CIRCUIT BREAKER, 20A 120V
46	022097	4	WASHER, LOCK #6-1/4	90	0G8607	2	OUTLET, 20A 120V DUPLEX



E.C.O.	REV.	DATE
---	A	9/9/08
H-3240	B	10/03/08
H-4102	C	3/09/09
H-4716	D	7/30/09
H-6252	E	3/16/10

MODEL: 005626-0  
GP 7000E ELEC START

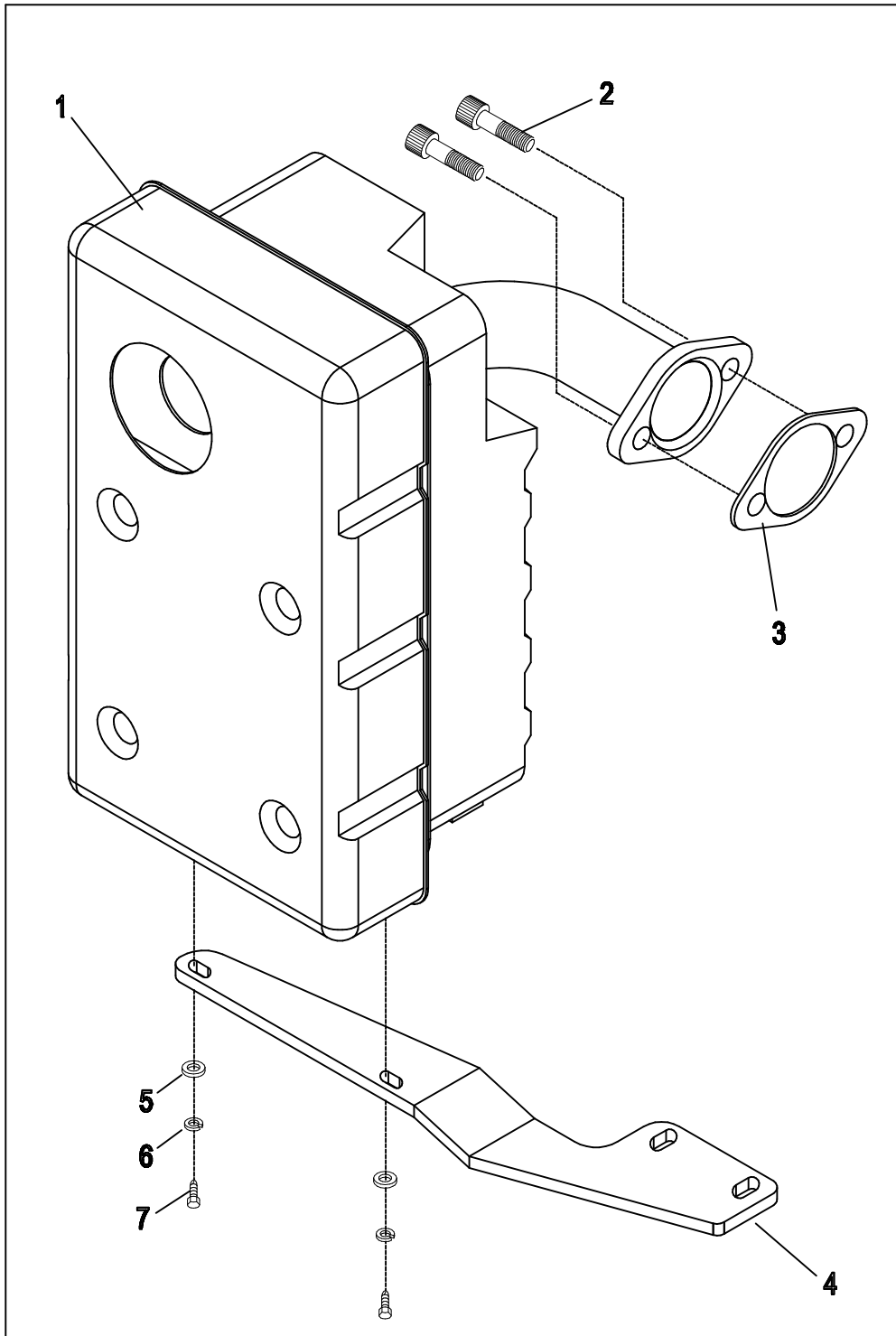
DO NOT SCALE

GROUP

EXPLODED VIEW:		GP 7000E PORTABLE		GENERAC POWER SYSTEMS	
DRAWN BY:	DREW	DATE:	9/9/08	P.O. BOX 8 WAUKESHA, WIS. 53186	
CHECKED BY:	K MAHAN	DATE:	9/11/08	FIRST USE:	05626-0
APPROVED BY:	PDW	DATE:	9/11/08	PART NO.:	0G9384E
RELEASED FOR PRODUCTION BY:	PETER WINNIE	DATE:	9/11/08	REV.:	E

APPLICABLE TO:

MUFFLER OPTION  
ENGINE PRODUCTION LEVEL 9E



**EXPLODED VIEW: MUFFLER, 410 SIDE OUT  
DRAWING #: 0E5081 REV. B**

**GROUP**

**APPLICABLE TO:**

<b>ITEM</b>	<b>PART #</b>	<b>QTY.</b>	<b>DESCRIPTION</b>
1	0E5223A	1	MUFFLER, 410 SIDE-OUT ALUMINIZED
2	0G3730	2	SCREW SHC M8-1.25 X 20 SEMS
3	090239	1	GASKET, EXHAUST
4	0E6047	1	BRACKET, GH410 MUFFLER SUPPORT
5	022473	2	WASHER FLAT ¼ - M6 ZINC
6	022097	2	WASHER LOCK M6 - ¼
7	043146	2	SCREW HHC M6-1.0 X 10 G8.8