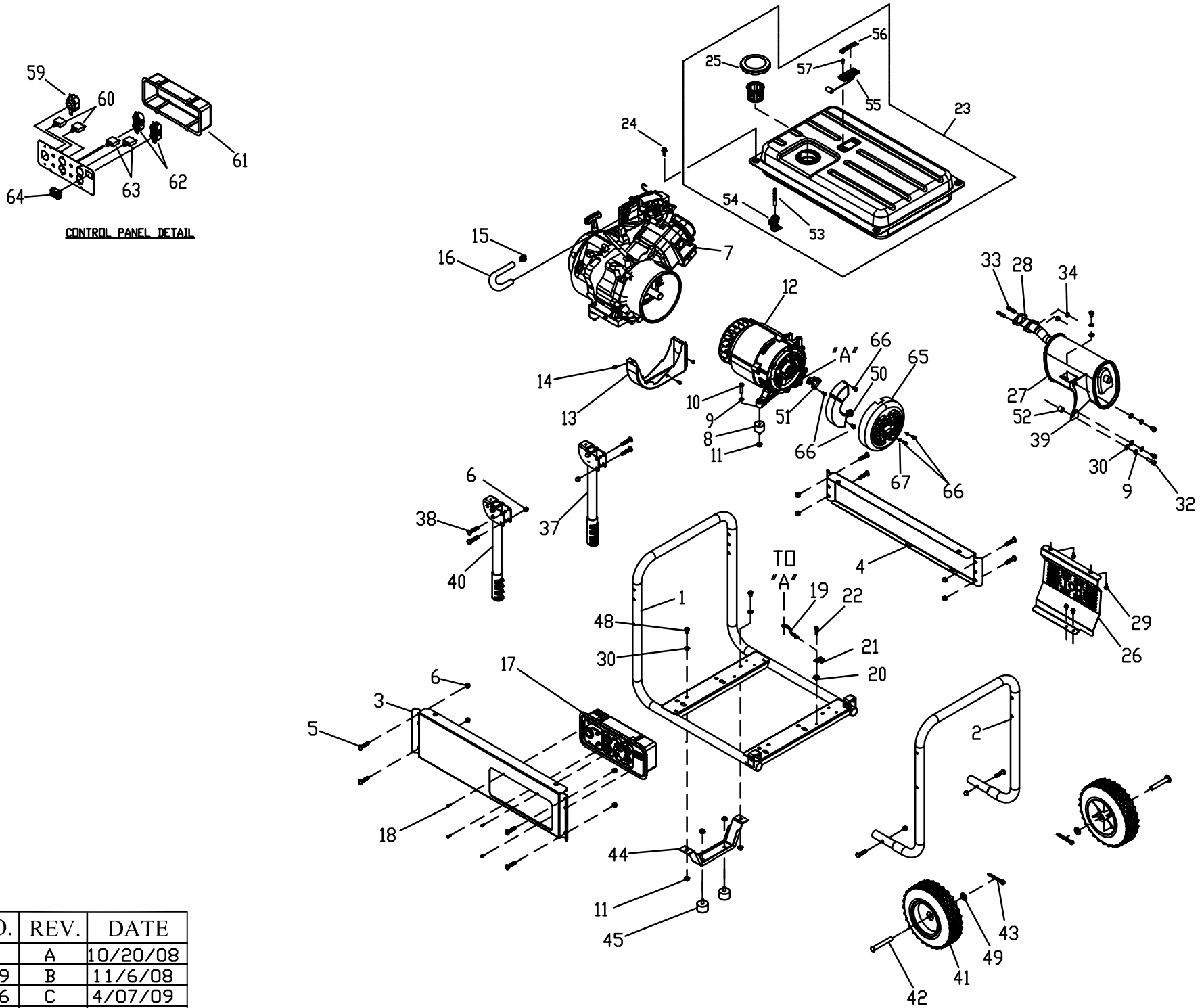


PART NO. 0H1245



ITEM	PART #	QTY	DESCRIPTION	ITEM	PART #	QTY	DESCRIPTION
1	0H0168	1	ASSY. CRADLE	52	09210	1	SPACER 0.34 X 0.62 X 0.59
2	0G8326	1	CRADLE END	53	0H1613	1	FILTER, FUEL VALVE
3	0G8327	1	PANEL RAIL	54	0H1684	1	VALVE, FUEL SHUTOFF
4	0G8328	1	BACK RAIL	55	0H1345A	1	FUEL GAGE, 30MM LONG ARM
5	0H1780	10	CURVED HEAD BOLT M8-1.25 X 42mm	56	0H1359	1	PLATE, FUEL GAGE
6	0H1782	12	CAP NUT, LOCKING M8-1.25	57	0H1357	2	SCREW, PPHM M5-0.8 X 12
7	0G8442	1	ENGINE, 389cc W/ MUFFLER	58	0H1326	1	FUEL FILTER
8	0G1783	4	VIB MOUNT, RUBBER 35mm X 25.4mm XM8-1.25	59	0G8758	1	OUTLET, 30A 125V/280V
9	0Q2129	8	WASHER, LOCK M8-5/16	60	0H0265D	1	CB 25A 1P 120V CUL/CSA
10	0Q2909	4	SCREW, HHC M8-1.25 X 30mm	61	0G9756	1	RECEPTACLE PANEL
11	052858	8	NUT LOCK FLANGE M8-1.25	62	0G8507	2	OUTLET, 20A 120V DUPLEX SPECGRADE
12	0G8445	1	ALTERNATOR 6500W BRUSHLESS	63	0H0265C	2	CB 20A 1P CUL/CSA
13	0G8654	1	SCROLL, ALTERNATOR SKU	64	0G8821	1	HOUR METER
14	0E845	3	SCREW, HHC M5-0.8 X 8	65	0H049	1	COVER, ALTERNATOR INLET
15	0H031G	1	CLAMP, HOSE BAND	66	091526	5	SCREW, PPHM M5-0.8 X 12
16	0G9758	1	FUEL HOSE 4 ID X 8.5 OD X 160mm LONG	67	04226	2	WASHER, LOCK M5
17	0G9778B	1	ASSY. RGP PANEL 30A				
18	0G8382	4	SCREW, PPHM #8-16 X 1/2"				
19	0G9753C	1	ASSY. GROUND WIRE ALT TO BASE				
20	0A1659	1	WASHER, LOCK SPECIAL 1/2"				
21	055414	1	LUG, SOLDERLESS #2-#8 X 1764				
22	0Q2079	1	SCREW, HHTT M6-1.0 X 25				
23	0G840	1	ASSY. FUEL TANK 6.6 GALLON				
24	0G5445	4	SCREW, HHTT M8-1.25 X 20				
25	0H1325A	1	FUEL CAP, VENTED				
26	0G8713	1	HEAT SHIELD, SKU 5-6.5KW				
27	0G8543	1	MUFFLER, 389CC				
28	0G9028	1	GASKET, EXHAUST 389CC				
29	0B0388	4	SCREW, HHTT M6-1.0 X 12				
30	0Q2145	6	WASHER, FLAT 5/16-M8				
32	0B253	4	SCREW, HHC M8-1.25 X 20				
33	045761M	2	STUD, M8-1.25 X 35				
34	045771	2	HEX NUT M8-1.25				
37	0H1828B	1	ASSY. HANDLE LEFT HAND				
38	0H1781	4	CARRIAGE HEAD BOLT M8-1.25 X 46mm				
39	0G8542	1	BRACKET, MUFFLER 389cc				
40	0H1828	1	ASSY. HANDLE RIGHT HAND				
41	0G8551	1	TIRE, 8.5" DIA RJN FLAT PLASTIC/RUBBER				
42	0H1204	2	AXLE PIN 1/2" X 4"				
43	0D499	2	COTTER PIN				
44	0H114	1	FRAME FOOT				
45	0H1829	2	RUBBER FOOT, 38.1mm X 25.4mm XM8-1.25				
48	0Q2907	2	SCREW, HHC M8-1.25 X 16mm				
49	0Q2304	2	WASHER, FLAT 1/2"				
50	0H04910101	1	AVR FOR ALTERNATOR 0H0491				
51	0H04910102	1	BRUSH FOR ALTERNATOR				

E.C.O.	REV.	DATE
---	A	10/20/08
H-3449	B	11/6/08
H-3946	C	4/07/09
H-4716	D	7/30/09
H-6252	E	3/16/10

MODEL: 005623-0
GP 6.5kW PULL START

DO NOT SCALE

GROUP

EXPLODED VIEW:		GP 6.5kW PORTABLE		GENERAC POWER SYSTEMS	
DRAWN BY:	KNM	DATE:	10/20/08	P.O. BOX 8 WAUKESHA, WIS. 53186	
CHECKED BY:	DMC	DATE:	10/21/08	FIRST USE:	005623-0
APPROVED BY:	SS	DATE:	10/21/08	PART NO.:	0H1245
RELEASED FOR PRODUCTION BY:	SAEID SHOKRZADEH	DATE:	10/21/08	REV.:	E