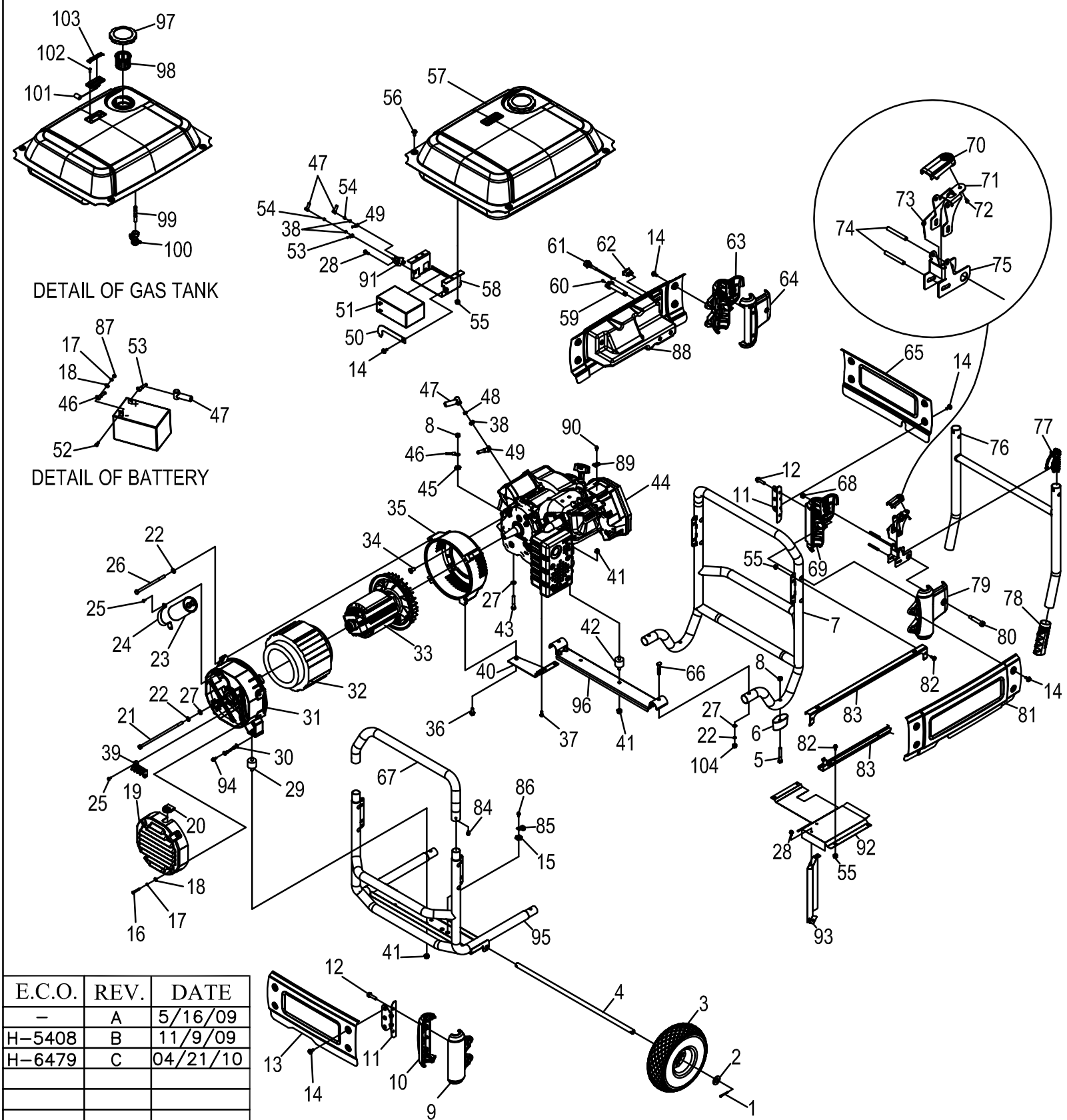


PART NO. 0H2871



ITEM	PART #	QTY.	DESCRIPTION	ITEM	PART #	QTY.	DESCRIPTION
1	0D4999	2	COTTER PIN	58	0G8587	1	TRAY, BATTERY
2	022247	2	FLAT WASHER 5/8"	59	0G9058	1	KNOB, FUEL SHUTOFF
3	0G8582	2	10" WHEEL	60	0E9530	1	SCREW PPHM M3-0.5 X 10 SEMS
4	0H2592	1	AXLE	61	0G9560	1	CABLE, CHOKE
5	039288	2	SCREW HHC M8-1.25 X 55	62	0G9549	1	SWITCH, START-RUN-STOP
6	0G9055	2	FOOT	63	0G9034A	1	CORNER SUPPORT, OUTER RIGHT SIDE HANDLE
7	0H1561	1	FRAME HALF WELDMENT, ENGINE SIDE	64	0G9034B	1	CORNER SUPPORT, INNER RIGHT SIDE HANDLE
8	049820	3	NUT HEX LOCK M8-1.25 NYLON INSERT	65	0G8585A	1	END PANEL, ENGINE SIDE
9	0G8590A	2	CORNER SUPPRT, OUTER	66	0H1221	2	SADDLE BOLT 5/16-18 X 1-7/8
10	0G8590B	2	CORNER SUPPRT, INNER	67	0H1568	1	TUBE, UPPER
11	0G8584	4	BRACKET, END PANEL	68	045771	2	NUT HEX M8-1.25
12	0H8013	8	SCREW HHFC M8-1.25 X 60 C8.8ZP	69	0G9035B	1	CORNER SUPPORT, INNER LEFT SIDE HANDLE
13	0G8585B	1	END PANEL, ALTERNATOR SIDE	70	0G9039	2	BUTTON, LATCH RELEASE
14	0G4933	19	SCREW SWT 1/4-20 X 5/8	71	0G9038	2	LEVER, LATCH RELEASE
15	0A1658	1	WASHER, SPECIAL LOCK 1/4"	72	0G9096	2	SCREW PPHM #8-16 X 1/2
16	020911	4	SCREW PPHM M5-0.8 X 30	73	0G9040	2	TORSION SPRING, LATCH RELEASE
17	022152	6	WASHER LOCK #10	74	0G9041	4	PIVOT PIN, LATCH RELEASE
18	023897	6	WASHER FLAT #10	75	0G9037	2	BRACKET, LATCH
19	0G5022A	1	COVER, ALTERNATOR	76	0G8589	1	HANDLE, FOLD DOWN
20	0G5206	1	GROMMET, WIRE SLEEVE	77	0G9036	2	PLUG, HANDLE FOLD DOWN
21	075431	1	SCREW IHHC 5/16-24 X 8-1/2 (8KW)	78	097612	2	GRIP, HANDLE
22	0H0037	1	SCREW HHC 5/16-24 X 7-1/2 (6.5KW)	79	0G9035A	1	CORNER SUPPORT, OUTER LEFT SIDE HANDLE
23	022129	7	WASHER LOCK M8	80	0G9093	2	SCREW SHS M8-1.25 X 40
24	0G5958	1	CAPACITOR	81	0G8586B	1	SIDE PANEL
25	0F4795	4	SCREW PPHM M4-0.7 X 10 SEMS	82	0G1705	12	SCREW HHFC M6-1.0 X 14
26	0G5148	4	SCREW IHHC M8-1.25 X 140 (8KW)	83	0G8583	4	SIDE RAIL
27	073941	4	SCREW HHC M8-1.25 X 115 (6.5KW)	84	0H5030	2	SCREW HHSD 1/2-20 X 7/8 BZ
28	022145	4	WASHER FLAT M8	85	055414	1	GROUND LUG
29	090388	5	SCREW HHTT M6-1.0 X 12	86	0D6029	1	SCREW HHTT M6-1.0 X 16
30	0H2630	2	VIBRATION MOUNT	87	051716	2	NUT HEX M5-0.8
31	074260174	1	GROUND WIRE	88	0H2586	1	CONTROL PANEL (8KW)
32	0H1551	1	CARRIER, REAR BEARING	89	0E4190	1	CLAMP, CABLE
33	0H2734C	1	STATOR (8KW)	90	0F5579	1	SCREW SHOULDER M5-0.8 X 20
34	0H2733C	1	STATOR (6.5KW)	91	086729	1	STARTER CONTACTOR
35	0G5211C	1	ROTOR (8KW)	92	0H3366	1	HEAT SHIELD
36	0G964C	1	ROTOR (6.5KW)	93	0H0319	1	DEFLECTOR
37	030205	4	SCREW FHSC 3/8-16 X 3/4	94	0G3111	1	SCREW HHTT M6-1.0 X 25
38	0H1550	1	HOUSING, ENGINE ADAPTOR	95	0H1567	1	FRAME HALF, WELMDENT ALTERNATOR SIDE
39	0D4662	1	SCREW HHTR 5/16-18 X 3/4	96	0H1562	1	ENGINE MOUNTING BRACKET
40	0G0926	2	SCREW HHFC M6-1 X 16 SERRATED	97	0H1325	1	BLACK FUEL CAP
41	022097	3	WASHER LOCK M6	98	0H1326	1	FUEL FILTER
42	0H3935	1	TERMINAL BLOCK	99	0H1613	1	FILTER, FUEL VALVE
43	0G1746	1	MUFFLER, BRACKET	100	0H1611	1	FUEL VALVE
44	0H1218	6	NUT FLANGE 5/16-18 NYLON INSERT	101	0H1345	1	FUEL GAGE, 153MM LONG ARM
45	0H1113	2	5/16-18 VIBRATION MOUNT	102	0H1357	2	SCREW PPHM M5-0.8 X 12
46	057821	1	SCREW HHC M8-1.25 X 40	103	0H1359	1	PLATE, FUEL GAGE
47	0H3592	1	ENGINE, 410CC XP PORTABLE	104	022259	2	NUT HEX 5/16-18
48	0C3168	1	WASHER LOCK SPECIAL 5/16				
49	074260185	1	WIRE, NEGATIVE TO ENGINE FRAME				
50	0G6392	4	BOOT				
51	049813	1	NUT HEX M6 YELLOW CHROME				
52	074260183	1	WIRE, STARTER TO SOLENOID				
53	0G9557	1	BRACKET, BATTERY HOLD DOWN				
54	0G9449	1	BATTERY				
55	052618	2	SCREW HHC M5.0 X 12				
56	074260184	1	WIRE, BATTERY TO SOLENOID				
57	022127	2	NUT HEX 1/4"				
	0D3700	16	NUT FLANGE M6 NYLOK				
	0G9029	4	SCREW TTH M8-1.25 X 20				
	0G8592	1	FUEL TANK ASSY				

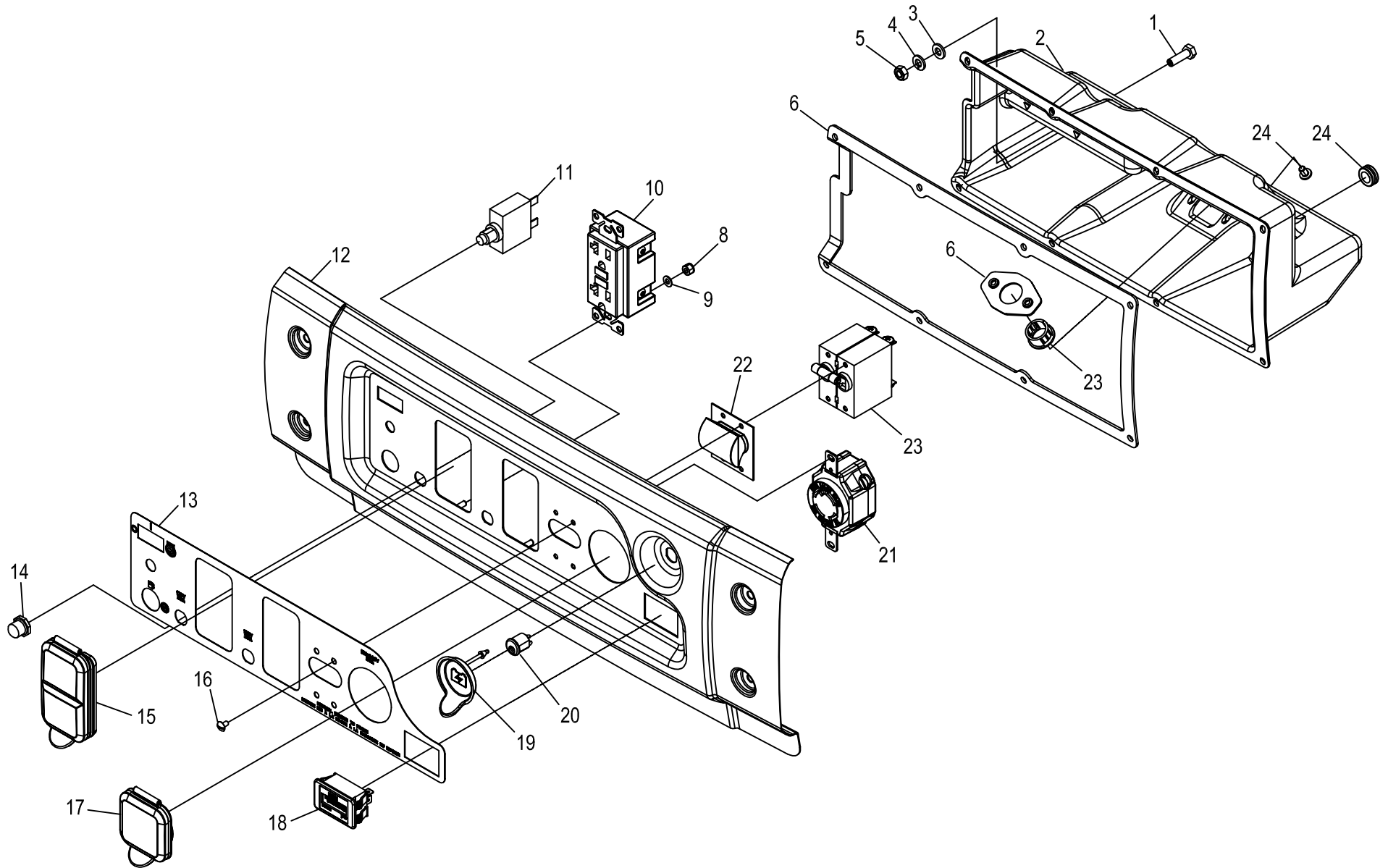
E.C.O.	REV.	DATE
-	A	5/16/09
H-5408	B	11/9/09
H-6479	C	04/21/10

DO NOT SCALE

GROUP

EXPLODED VIEW:		GENERATOR 410cc XP		GENERAC POWER SYSTEMS	
DRAWN BY:	M. BECHTEL	DATE:	4/07/09	P.O. BOX 8 WAUKESHA, WIS. 53186	
CHECKED BY:	C. RICHARDSON	DATE:	5/26/09	FIRST USE:	005606-1
APPROVED BY:	D. VALERIO	DATE:	5/27/09	PART NO.:	0H2871
RELEASED FOR PRODUCTION BY:	BILLY BRANDENBURG	DATE:	5/28/09	REV.:	C

GROUP



EXPLODED VIEW:
CONTROL PANEL
DRAWING #: 0H2872

EXPLODED VIEW: CONTROL PANEL

DRAWING #: 0H2872

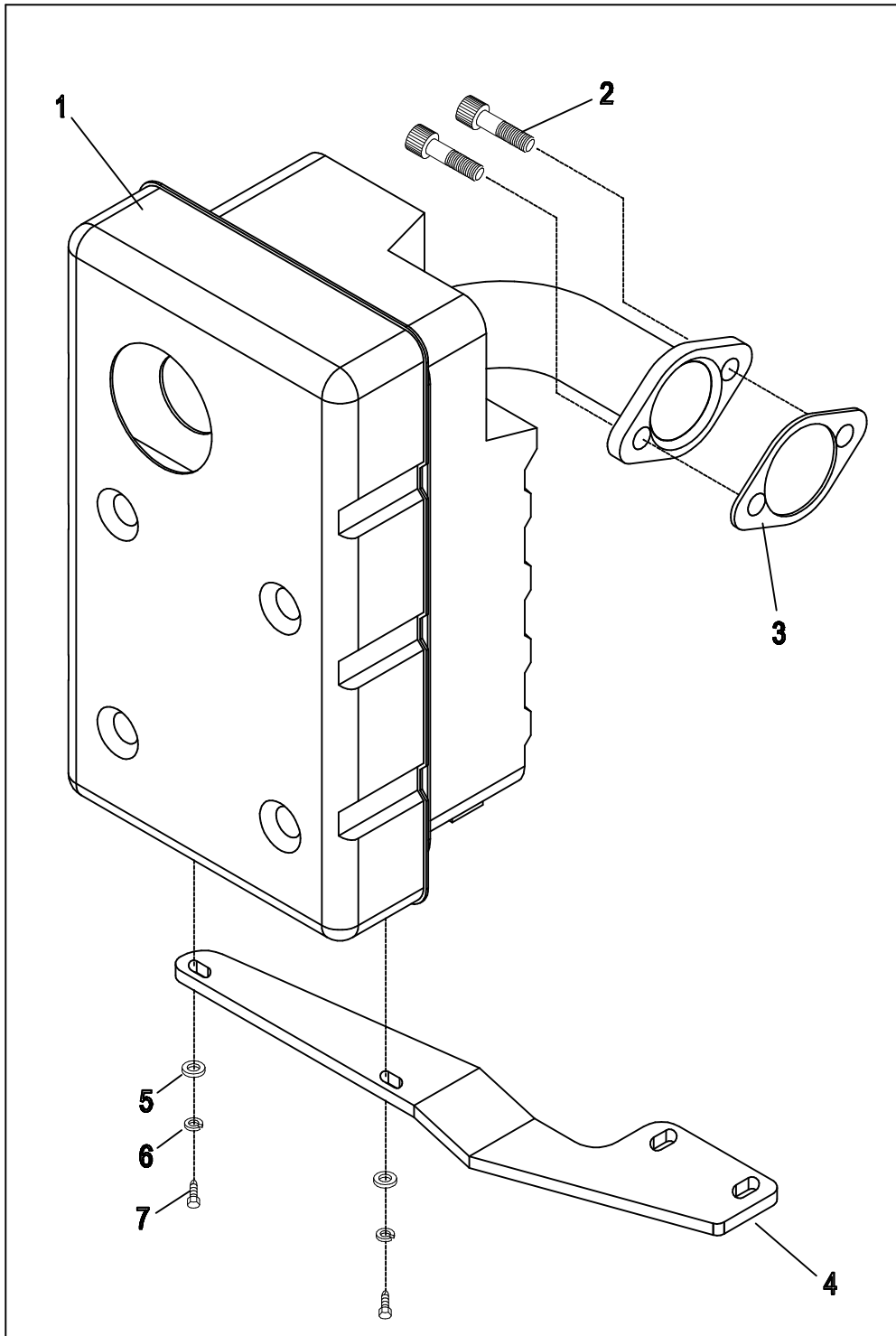
APPLICABLE TO: 005606-1

GROUP

ITEM	PART #	QTY.	DESCRIPTION
1	042568	2	SCREW HHC M6-1.0. X 20
2	0H2584	1	CONTROL PANEL BOX
3	049811	2	WASHER, FLAT M6
4	022097	2	WASHER, LOCK M6
5	049813	2	NUT HEX M6 YELLOW CHROME
6	0G9537	1	GASKET, CONTROL PANEL
7	0H3349	1	WIRE ADAPTER PLATE
8	0E6480	14	NUT HEX LOCK M4-0.7 NYLON INSERT
9	043180	14	WASHER, FLAT M4
10	0D4966	2	OUTLET, 20A GFCI DUPLEX BLACK
11	0H0265C	2	CIRCUIT BREAKER 20X1
12	0G8586A	1	CONTROL PANEL
13	0G9070	1	OVERLAY, CONTROL PANEL
14	0C7341	2	BOOT/NUT, PUSH BUTTON SWITCH
15	0G9392	2	COVER, 20A 120V GFCI DUPLEX
16	025105	4	SCREW RHMS 6-32 X 1/4
17	0G9391	1	COVER 30A 120/240 OUTLET
18	0G8321	1	HOUR METER
19	0G9393	1	COVER, 12V DC JACK OUTLET
20	0G5699	1	12VDC POWER JACK
21	0G8758	1	RECEPTACLE 30A
22	0C7340	1	BOOT, CIRCUIT BREAKER
23	0G9023C	1	30A CIRCUIT BREAKER (8KW)
	0G9023E	1	27A CIRCUIT BREAKER (6.5KW)
24	042632	1	GROMMET 1/2" X 1/16" X 3/8"
25	0A5489	1	SNAP BUSHING, 0.75 OPEN
26	0E5333	2	SCREW PHTT M5-0.8 X 8
27	0H2585	1	WIRE HARNESS (8KW) (NOT SHOWN)
	0H2589	1	WIRE HARNESS (6.5KW) (NOT SHOWN)

APPLICABLE TO:

MUFFLER OPTION
ENGINE PRODUCTION LEVEL 9E



**EXPLODED VIEW: MUFFLER, 410 SIDE OUT
DRAWING #: 0E5081 REV. B**

GROUP

APPLICABLE TO:

ITEM	PART #	QTY.	DESCRIPTION
1	0E5223A	1	MUFFLER, 410 SIDE-OUT ALUMINIZED
2	0G3730	2	SCREW SHC M8-1.25 X 20 SEMS
3	090239	1	GASKET, EXHAUST
4	0E6047	1	BRACKET, GH410 MUFFLER SUPPORT
5	022473	2	WASHER FLAT ¼ - M6 ZINC
6	022097	2	WASHER LOCK M6 - ¼
7	043146	2	SCREW HHC M6-1.0 X 10 G8.8