

EXPLODED VIEW: GENERATOR PARTS

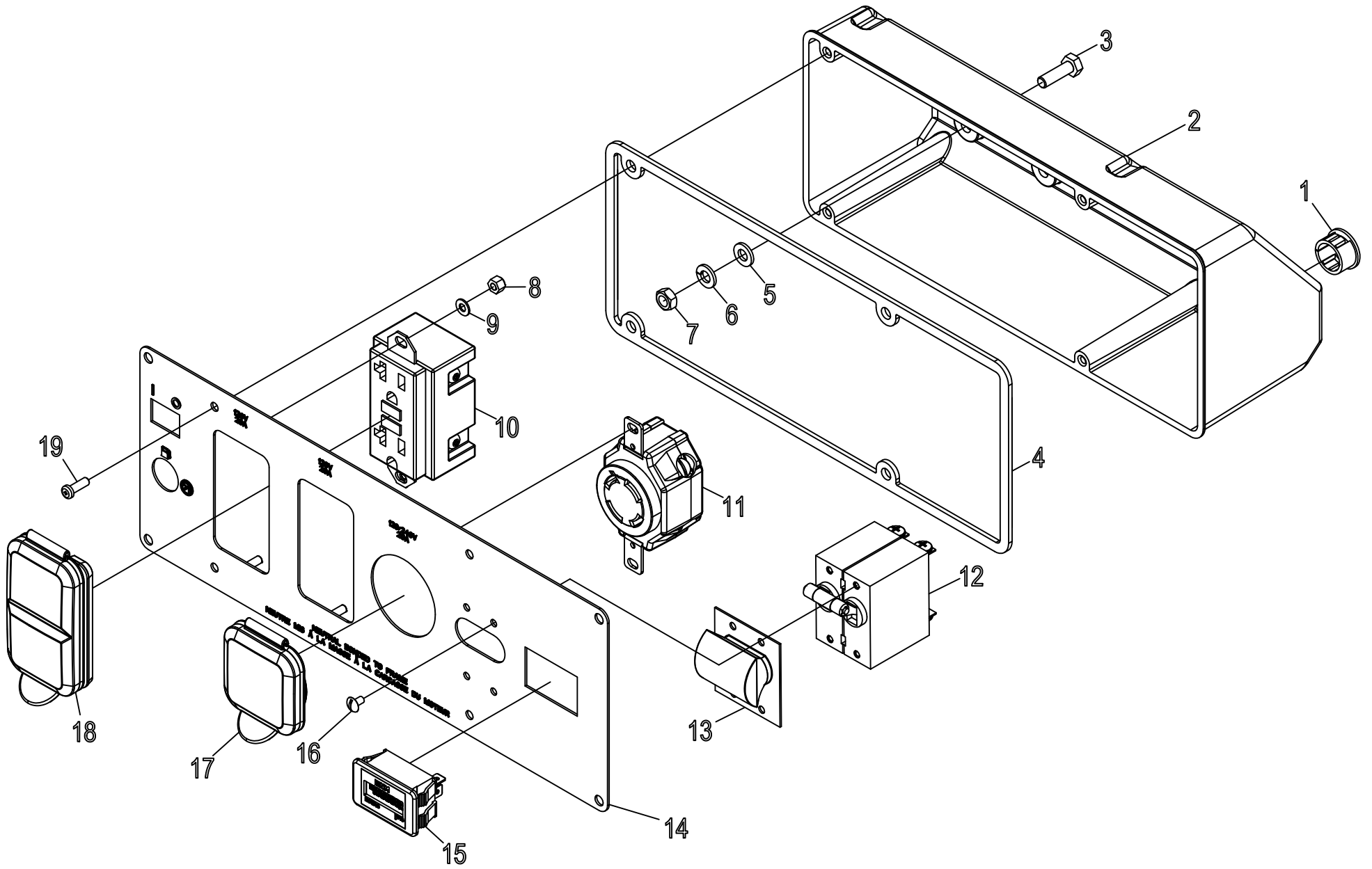
DRAWING #: 0H0576

GROUP

APPLICABLE TO: 005604-0

ITEM	PART #	QTY.	DESCRIPTION
1	0H0103A	1	END PANEL, ENGINE
2	0G4933	18	SCREW SWT 1/4 - 20 X 5/8
3	0G9029	4	SCREW TTH M8-1.25 X 20
4	049820	4	NUT M8 NYLON
5	0H0332	2	SCREW SHSH M8-1.25 X 35
6	0G5442	2	SNAP BUTTON
7	0G1705	1	SCREW HHFC M6-1.0 X 14
8	0H0096	2	FOLD DOWN HANDLE
9	097612	2	HANDLE GRIP
10	0H2961	1	HEAT SHIELD
11	039288	2	SCREW HHC M8-1.25 X 55
12	0G9055	2	FOOT
13	0H0966A	1	FRAME, ENGINE HALF
14	0D3700	1	NUT FLANGE M6-1.0 NYLON INSERT
15	0H0993	1	ENGINE MOUNTING BRACKET
16	0H1221	2	SADDLE BOLT 5/16-18 X 1-7/8
17	0G0926	2	SCREW HHFCS M6-1 X 16 SERRATED
18	0H2579	1	AVR, 4KW ALTERNATOR
19	0H0919	1	BRUSH HOLDER
20	0H1218	8	NUT FLANGE 5/16-18 NYLON INSERT
21	0G1746	1	MUFFLER BRACKET
22	0D4662	1	SCREW HTR 5/16-18 X 3/4
23	0H1113	4	VIBRATION MOUNT
24	0H0104B	1	SIDE PANEL, MUFFLER
25	0H0316	1	AXLE
26	022247	4	5/8 FLAT WASHER
27	0G8582	2	10" WHEEL
28	0D4999	2	COTTER PIN
29	0H0966B	1	FRAME, ALTERNATOR HALF
30	0A1658	1	SPECIAL LOCK WASHER
31	055414	1	GROUND LUG
32	0742600186	1	GROUND WIRE
33	0D6029	1	SCREW HHTT M6-1.0 X 16
34	0H0103B	1	END PANEL, ALTERNATOR
35	0H1327	1	4kW ALTERNATOR
36	030209	4	SCREW HHC 5/16-24 X 1-1/4
37	022129	6	WASHER LOCK M8
38	022145	7	WASHER FLAT M8
39	0H0104A	1	SIDE PANEL, CONTROL PANEL
40	0H0275	1	CONTROL PANEL
41	0C3990	4	SCREW PHTT M4-0.7 X 10
42	0G9058	1	KNOB, FUEL SHUTOFF
43	0E9530	1	SCREW PPHM M3-0.5 X 10 SEMS
44	078653	1	SWITCH ENGINE RUN-STOP
45	0H0106	1	FUEL TANK ASSEMBLY
46	049815	3	SCREW HHC M5-0.8 X 16
47	051713	3	FLAT WASHER, M5
48	0G2473	1	220cc ENGINE
49	022259	2	NUT HEX 5/16-18
50	0H1325	1	VENTED FUEL CAP, BLACK
51	0H1326	1	FUEL FILTER
52	0H1613	1	FILTER, FUEL VALVE
53	0H1611	1	FUEL VALVE
54	0H3049	1	END COVER
55	049226	2	LOCK WASHER, M5
56	052618	2	SCREW HHC M5-0.8 X 12
57	0H1359	1	PLATE, FUEL GAGE
58	0H1357	2	SCREW PFHM M5-0.8 x 12
59	0H1345A	1	FUEL GAGE, 90MM LONG ARM

GROUP



EXPLODED VIEW: CONTROL PANEL

DRAWING #: 0H0577

APPLICABLE TO: 005604-0

GROUP

ITEM	PART #	QTY.	DESCRIPTION
1	0A5489	1	SNAP BUSHING
2	0H0263	1	CONTROL BOX
3	042568	2	SCREW HHC M6-1.0
4	0H0274	1	GASKET, CONTROL PANEL
5	049811	2	WASHER, FLAT M6
6	022097	2	WASHER, LOCK M6
7	049813	2	NUT HEX M6-1.0
8	0E6480	6	NUT HEX LOCK M4-0.7 NYLON INSERT
9	043180	6	WASHER, FLAT M4
10	0D4966	2	OUTLET, 20A 120V GFCI DUPLEX
11	0H1316	1	RECEPTICLE 20A 125/250V
12	0G9023A	1	20A CIRCUIT BREAKER
13	0C7340	1	BOOT, CIRCUIT BREAKER
14	0H0273	1	FACE PLATE, CONTROL PANEL
15	0G8321	1	HOUR METER
16	025105	4	SCREW RHMS #6-32 X 1/4"
17	0G9391	1	COVER, 120/240 OUTLET
18	0G9392	2	COVER, 120V GFCI/DUPLEX
19	0G8382	4	SCREW PPPH #8-16 X 1/2"
20	0H1328	1	HARNES (NOT SHOWN)