

EXPLODED VIEW: ENGINE PARTS
DRAWING #: 0G2963

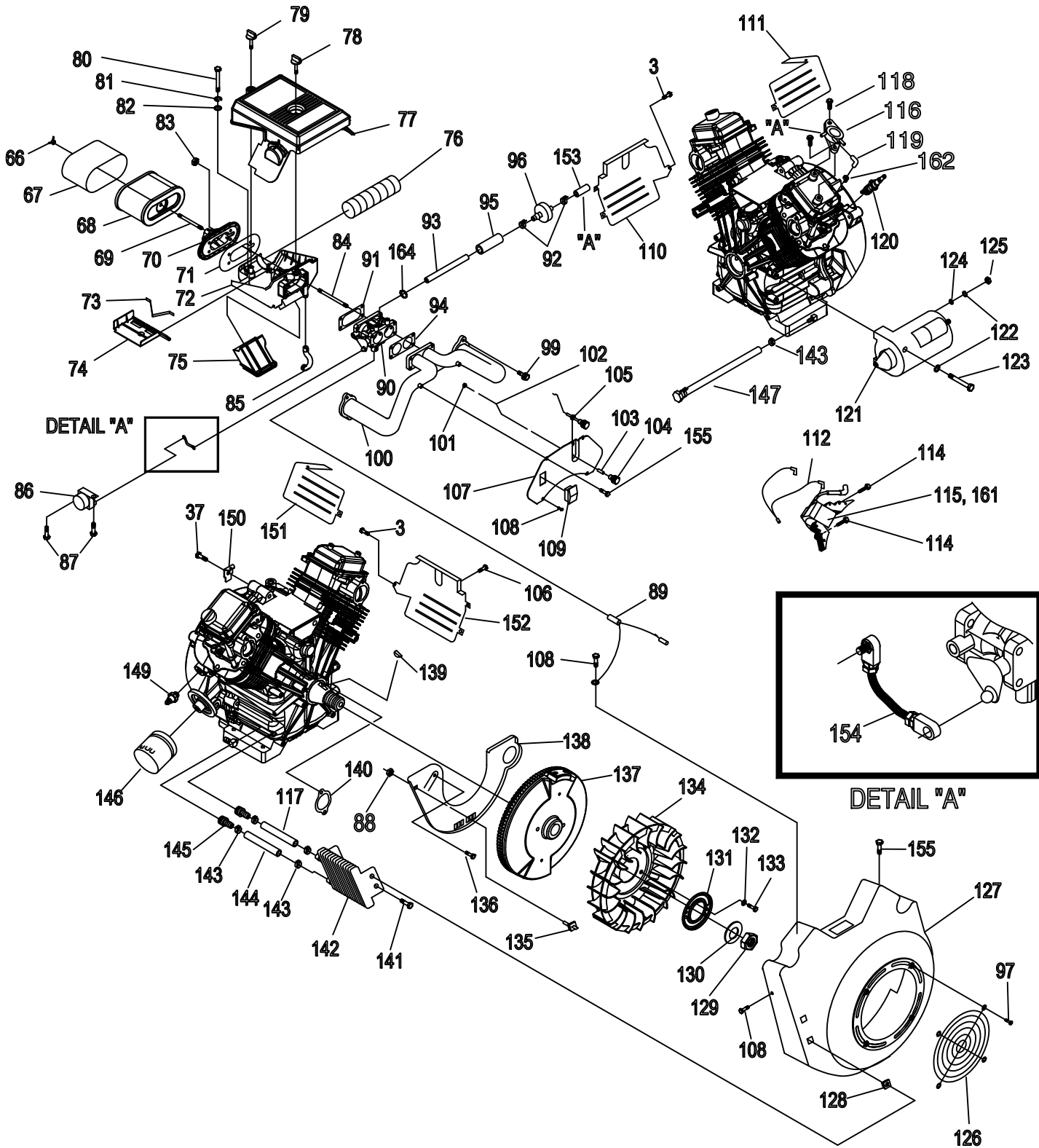
GROUP

APPLICABLE TO: 045823,045831,049872,053081
057340,057350

| ITEM | PART # | QTY. | DESCRIPTION |
|------|---------|------|---|
| 1 | 0C5729 | 1 | ASSY, CRANKCASE WITH SLEEVE |
| 2 | 0E9843A | 1 | SEAL, 38 I.D. CRANKSHAFT GREEN |
| 3 | 0G0919 | 5 | SCREW, HHFCS M6-1.0 X 12 G8.8 |
| 4 | 0G9100 | 1 | ASSEMBLY, BREATHER DUAL VALVE |
| 5 | 0C3005 | 1 | GASKET, BREATHER COVER |
| 6 | 0E3372C | 2 | SEPARATOR, OIL BREATHER |
| 7 | 0D8067A | 1 | ASSEMBLY, HEAD #1 |
| 8 | 071983 | 4 | RETAINER, PISTON PIN 20 |
| 9 | 0G0693 | 1 | ASSY, ROCKER COVER W/BARB |
| 10 | | | |
| 11 | 0G2752 | 2 | PISTON, DISH TOP DIA 90 COATED |
| 12 | 0G2565 | 2 | RING SET, PISTON TOP DIA 90 |
| 13 | 0E1466 | 2 | PIN PISTON |
| 14 | 0D4041 | 1 | ASSEMBLY, CAMSHAFT & GEAR |
| 15 | 043790A | 1 | BARBED ELBOW, 90 DEG. 3/8NPT X 3/8 VS |
| 16 | 093064 | 1 | ASSEMBLY, OIL FILL CAP |
| 17 | 0C2977 | 1 | GASKET, CRANK CASE |
| 18 | 0C5943 | 1 | SEAL, OIL PASSAGE |
| 19 | 0E4357E | 1 | CRANKSHAFT AND GEAR GTH-990 |
| 20 | 0E3223 | 2 | ASSEMBLY, CONNECTING ROD GT-990 |
| 21 | 0G6431 | 2 | SCREW SHC SEMS M6-1.0 X 50 G8.8 |
| 22 | 0E6098 | 1 | SCREEN, OIL PICKUP |
| 23 | 0D4123B | 1 | ASSY, OIL PUMP GTH W/O O-RING |
| 24 | 0E8152 | 1 | O-RING, 0.49 ID X 0.07 THICK |
| 25 | 0C3011 | 2 | COVER, OIL RELIEF |
| 26 | 0C3009 | 2 | SPRING, OIL RELIEF |
| 27 | 0C3010 | 2 | BALL, 1/2D OIL RELIEF |
| 28 | | | |
| 29 | 0F5458 | 1 | SCREW, PLASTITE HI-LOW #10 |
| 30 | 0C5998 | 1 | CLAMP, OIL TUBE |
| 32 | 0F2664M | 1 | ASSEMBLY, DIPSTICK GTH-990 PORTABLE |
| 33 | 0D3745 | 1 | TUBE, DIPSTICK |
| 34 | 0C3027 | 1 | O-RING, 3/8 X 1/2 |
| 35 | 0E9842A | 1 | SEAL, 42 I.D. CRANKSHAFT GREEN |
| 36 | 0F8054 | 1 | GEARCOVER / ADAPTOR GTH990/760 |
| 37 | 0C3006 | 10 | SCREW, HHFC M10-1.5 X 55 |
| 38 | 080318 | 8 | SCREW HHFC M6-1.0 X 25 |
| 39 | 0G1839 | 2 | LIFT HOOK, GT990/760 |
| 40 | 0D2723D | 1 | COVER, ROCKER W/OIL FILL "GENERAC" TEXT |
| 41 | 0C2979 | 2 | GASKET, VALVE COVER |
| 42 | 086515 | 8 | KEEPER, VALVE SPRING |
| 43 | 0D2274 | 4 | RETAINER, VALVE SPRING |
| 44 | 0D3867 | 4 | SPRING, VALVE |
| 45 | 078672 | 2 | SEAL, VALVE STEM D7 |
| 46 | 0C5371 | 4 | WASHER, VALVE SPRING |
| 47 | 072694 | 4 | STUD, ROCKER ARM PIVOT |
| 49 | 0D5313 | 4 | ROCKER ARM |
| 50 | 0D3998 | 4 | NUT, HEX M8-1.0 GB YELLOW CHROM |
| 51 | 0G8552 | 2 | PLATE, PUSH ROD GUIDE |
| 52 | 0C2976 | 12 | SCREW HHFC M8-1.25 X 65 |
| 53 | 086516 | 2 | VALVE, EXHAUST |
| 54 | 0C2229 | 2 | VALVE, INTAKE |
| 55 | 083897 | 4 | TAPPET, SOLID |
| 56 | 0D8067B | 1 | ASSEMBLY, HEAD #2 |
| 57 | 0D9853D | 4 | PUSHROD 147 |
| 58 | 0C2978 | 2 | GASKET, HEAD |
| 165 | 0G8558 | 1 | DIVERTER, BREATHER GTH |

| ITEM | PART # | QTY. | DESCRIPTION |
|------|--------|------|-------------|
|------|--------|------|-------------|

GROUP



EXPLODED VIEW: ENGINE PARTS
DRAWING #: 0G2963

GROUP

APPLICABLE TO: 045823,045831,049872,053081
057340,057350

| ITEM | PART # | QTY. | DESCRIPTION |
|------|---------|------|--|
| 66 | 0D6592 | 1 | WINGNUT, AIRBOX |
| 67 | 0D4511 | 1 | PRECLEANER, AIR |
| 68 | 0D9723 | 1 | ELEMENT, AIR CLEANER |
| 69 | 0E5302 | 1 | STUD M6-1.0 X 73 |
| 70 | 0D4183 | 1 | ADAPTOR, SPIT BACK |
| 71 | 0D6327 | 1 | GASKET, SPITBACK |
| 72 | 0D2774B | 1 | BASE, AIRBOX |
| 73 | 0D5125 | 1 | SPRING, WINTER/SUMMER VALVE |
| 74 | 0D2930 | 1 | VALVE, SUMMER / WINTER |
| 75 | 0D4612A | 1 | SNORKEL, AIR INTAKE |
| 76 | 0D6143 | 1 | TUBE, HEAT RISER 50.8 I.D. |
| 77 | 0D2775 | 1 | COVER, AIRBOX |
| 78 | 0D5014A | 1 | KNOB, AIRBOX 17mm |
| 79 | 0D5014B | 1 | KNOB, AIRBOX 95MM |
| 80 | 049721 | 1 | SCREW HHC M6-1.0 X 35 |
| 81 | 022097 | 1 | WASHER LOCK M6-1/4 |
| 82 | 022473 | 1 | WASHER FLAT 1/4 |
| 83 | 0E8388 | 4 | NUT, HEX FLANGE WHIZ M6-1.0 |
| 84 | 0D6021 | 4 | STUD, METRIC |
| 85 | 0C9093A | 1 | HOSE, BREATHER |
| 86 | 0G6454 | 1 | ASSY,CONTROLLER, GTH990 PORTABLE |
| 87 | 074908 | 2 | SCREW HHTT M5-0.8 X 10 |
| 88 | 082025 | 1 | NUT, HEX LOCK M5-0.8 ZINC |
| 89 | 0E3398 | 1 | ASSEMBLY, WIRE |
| 90 | 0G4612 | 1 | CARBURETOR, H990 W/BALL STUD |
| 91 | 0D4026 | 1 | GASKET, CARB TO SPACER (GT-990) |
| 92 | 048031C | 3 | CLAMP HOSE BAND 1/4 |
| 93 | 0F9176C | 1 | HOSE 1/4 ID SAE 30R7 GREENBAR 9" PRE-CUT |
| 94 | 0G0510 | 1 | GASKET, MANIFOLD TO CARBURETOR |
| 95 | 084409D | 1 | SLEEVEING, FLEVO HW 3/4 3" |
| 96 | 0D6313 | 1 | FILTER, FUEL |
| 97 | 045756 | 4 | SCREW, HHTT M6-1 x 10 LONG |
| 98 | 082025 | 1 | NUT, HEX LOCK M5-0.8 ZINC |
| 99 | 0G3730B | 4 | SCREW, SHC M8-1.25 x 25 LG SEMS |
| 100 | 0C9911 | 1 | MANIFOLD, INTAKE |
| 101 | 051714 | 1 | NUT HEX M3-0.5 |
| 102 | 0D5411 | 1 | ROD, SUMMER / WINTER VALVE |
| 103 | 0D5445 | 1 | BUSHING, MINI CONTROL PANEL |
| 104 | 0D5416 | 1 | KNOB, CONTROL SUMMER / WINTER, BLACK |
| 105 | 0D5398 | 1 | CHOKE ASSEMBLY |
| 106 | 0E6043 | 2 | SCREW TAPTITE M5-0.8 X 8 ZP |
| 107 | 0D3432 | 1 | PANEL, CONTROL FACE PLATE |
| 108 | 090388 | 18 | SCREW TAPTITE M6-1.0X 12 CLEAR ZINC |
| 109 | 0D4767 | 1 | SWITCH ROCKER |
| 110 | 0D1142A | 1 | WRAPPER, LOWER CYLINDER 2 |
| 111 | 0D1143 | 1 | WRAPPER, UPPER CYLINDER 2 |
| 112 | 0F1177 | 1 | ASSEMBLY, GROUND WIRE |
| 113 | | | |
| 114 | 0G3110 | 4 | SCREW TAPTITE M6-1.0 X 20 ZINC |
| 115 | 0G3224B | 1 | ASSY, IGN COIL W/DIODE NO ADV |
| 116 | 0F6263 | 1 | PUMP, IMPULSE |
| 117 | 0F0452D | 1 | HOSE 3/8" 300PSI 6.5" LG OIL |
| 118 | 0G0926 | 2 | SCREW, HHFCS M6-1.0 X 16 G8.8 |
| 119 | 0G0832 | 1 | ELBOW, RUBBER 90 DEG. GASOLINE |
| 120 | 0E7585A | 2 | SPARKPLUG, CHAMPION RC14YC |
| 121 | 0E9323 | 1 | STARTER MOTOR GEAR REDUCED |
| 122 | 022129 | 3 | WASHER LOCK M8-5/16 |
| 123 | 061906 | 2 | SCREW HHC M8-1.25 X 85 G8.8 |
| 124 | 022145 | 1 | WASHER, FLAT M8 |
| 125 | 0F5467 | 1 | NUT, HEX M8-1.25 YELLOW ZINC |
| 126 | 0D1131 | 1 | GUARD,FAN |

| ITEM | PART # | QTY. | DESCRIPTION |
|------|---------|------|--------------------------------------|
| 127 | 0F1169B | 1 | HOUSING, BLOWER GAS COOLER |
| 128 | 0C9763 | 4 | NUT, GROMMET 1/4 PLUG |
| 129 | 0C3034 | 1 | NUT,HEX M24 |
| 130 | 0C3033 | 1 | WASHER, M24 |
| 131 | 0C3032 | 1 | PLATE, FAN |
| 132 | 0A5992 | 2 | WASHER SHAKEPROOF INT M8 SS |
| 133 | 051754 | 2 | SCREW HHC M8-1.25 X 12 G8.8 |
| 134 | 0C3031 | 1 | FAN, NYLON |
| 135 | 0E4997 | 1 | ASSY,GROUND WIRE CONNECTOR |
| 136 | 045756 | 4 | SCREW TAPTITE M6-1X10 YELLOW CHROME |
| 137 | 0C3725A | 1 | FLYWHEEL ASSEMBLY |
| 138 | 0G4928A | 1 | PLATE, BACKING GT990 W/OIL COOL ZINC |
| 139 | 082774 | 1 | KEY, WOODRFF 4 X 19D |
| 140 | 0C3043 | 2 | GASKET, MANIFOLD / PORT |
| 141 | 0C9764 | 4 | PLASTITE,1/4-15 X 3/4 |
| 142 | 0E9506 | 1 | COOLER, OIL |
| 143 | 0G3662B | 5 | CLAMP, HOSE OETIKER STEPLESS 18.5mm |
| 144 | 0F0452C | 1 | HOSE 3/8" 300PSI 6.5" LG OIL |
| 145 | 035461 | 2 | BARBED STR 1/4NPT X 3/8 |
| 146 | 070185F | 1 | OIL FILTER, 90mm w/LOGO |
| 147 | 0G4403 | 1 | ASSEMBLY, OIL DRAIN HOSE |
| 149 | 0C3025 | 1 | SWITCH, OIL PRESS |
| 150 | 0G2363 | 1 | BRACKET, AIRBOX SUPPORT |
| 151 | 0C3018 | 1 | WRAPPER, UPPER CYLINDER 1 |
| 152 | 0C3019 | 1 | WRAPPER, LOWER CYLINDER 1 |
| 153 | 0F9176H | 1 | HOSE, 1/4" SAE 30R7 GREENBAR |
| 154 | 0E0409 | 1 | ASSY, ROD, GOV. STEPPER MOTOR |
| 155 | 0C8563 | 6 | SCREW HHHC M6-1.0 X12 |
| 157 | 0D9784 | 1 | NUT, LOCK HEX M3-0.5 (GT-990) |
| 160 | 0D6147 | 5 | SCREW HHFC M6-1.0 X 10mm |
| 161 | 0G3224A | 1 | ASSY, IGN COIL W/DIODE NO ADV |
| 162 | 048031G | 1 | CLAMP, HOSE BAND GREEN |
| 163 | 0D6342 | 1 | BALL STUD, 10mm |
| 164 | 040173 | 1 | CLAMP, HOSE WORM GEAR |