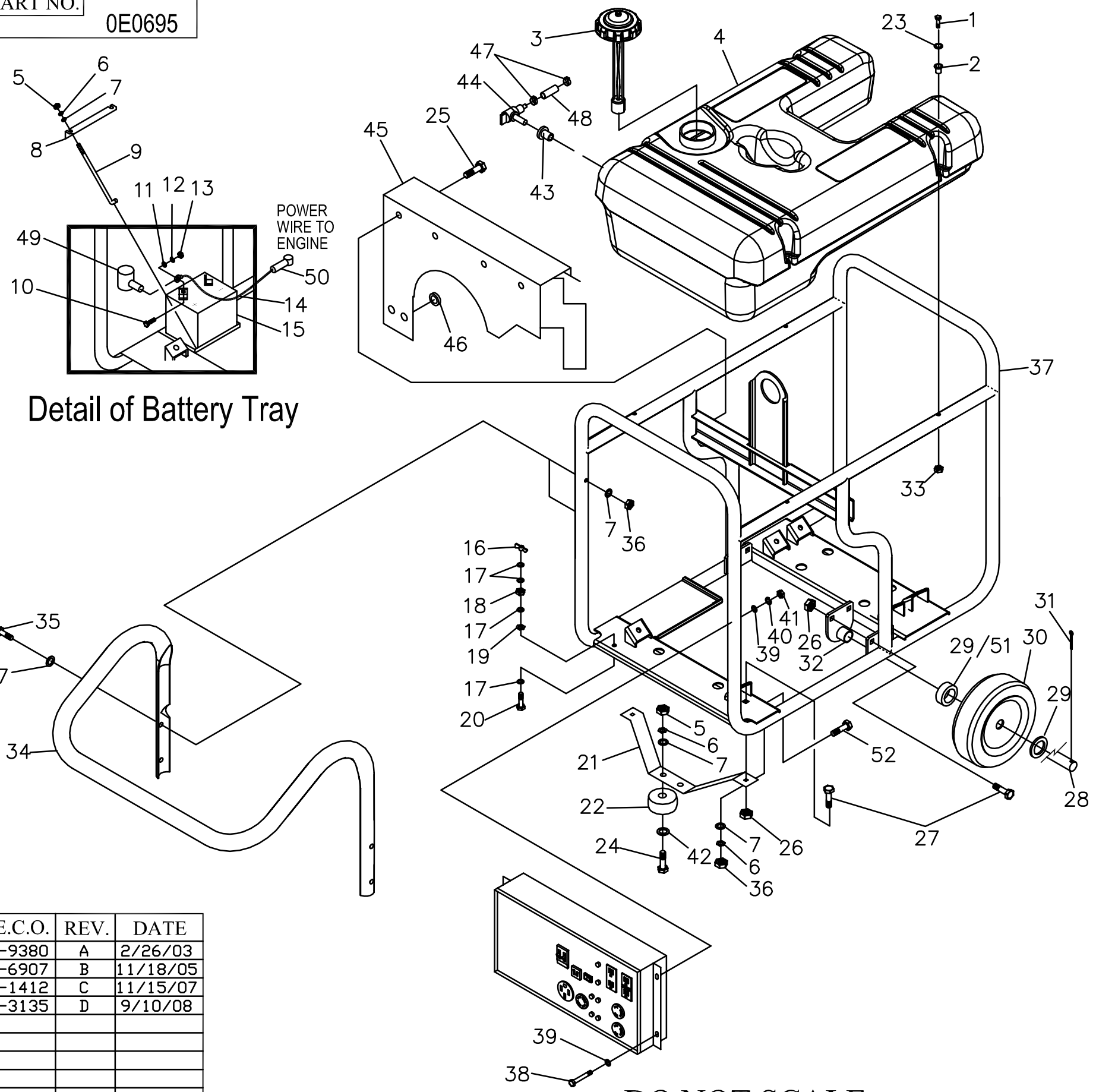


PART NO. 0E0695



Detail of Battery Tray

E.C.O.	REV.	DATE
F-9380	A	2/26/03
G-6907	B	11/18/05
H-1412	C	11/15/07
H-3135	D	9/10/08

DO NOT SCALE

ITEM	PART #	QTY.	DESCRIPTION
1	057058	4	SCREW HHC M6-1.0 X 55
2	0D5315	4	RUBBER TANK MOUNT
3	0D4570	1	CAP, FUEL WITH GAUGE & VENT
4	0D22850SRV	1	KIT, FUEL TANK
5	045771	4	NUT HEX M8-1.25
6	022129	6	WASHER LOCK M8-5/16
7	022145	14	WASHER FLAT 5/16
8	0D4565	1	BRACKET BATTERY
9	0D3545	2	BOLT, BATTERY J-BOLT
10	022287	2	SCREW HHC 1/4-20 X 3/4 G5
11	022473	2	WASHER FLAT 1/4
12	022097	2	WASHER LOCK M6-1/4
13	022127	2	NUT HEX 1/4-20
14	0388040AK0	1	BATTERY CABLE, RED
15	0D4575	1	BATTERY U1
16	0D5202	1	NUT WING 5/16-18 BRASS
17	0D5199	4	WASHER FLAT 5/16 BRASS
18	029809	1	NUT HEX 5/16-18 BRASS
19	0C3168	1	5/16 SPECIAL LWASH
20	0D5198	1	SCREW HHC 5/16-18 X 1.5 BRASS
21	0E0317	1	BRACKET FRONT FOOT (15 kW)
22	0D2498	1	BRACKET FRONT FOOT (12.5 kW)
23	027007	2	VIB MOUNT
24	0D5303	4	WASHER FLAT .25ID X 1"OD
25	042909	2	SCREW HHC M8-1.25 X 30
26	090388	4	SCREW HHTT M6-1.0 X 12
27	064101	6	NUT LOCK FL 3/8-16
28	039214	6	BOLT CARR 3/8-16 X 1
29	0D9165	1	AXLE, 3/4"DIA X 30" (15 kW)
30	0D2496	1	AXLE, 3/4"DIA X 27.25" (12.5 kW)
31	045900	2	WASHER FLAT 3/4" (15 kW)
32	045900	4	WASHER FLAT 3/4" (12.5 kW)
33	0D7668	2	12.3" PNEUM WHEEL 3/4" AXLE (15 kW)
34	0D2495	2	10" PNEUM WHEEL 3/4" AXLE (12.5 kW)
35	0D4999	2	PIN COTTER 1/8 X 1-1/4
36	0D4044	2	BRACKET, WHEEL SPACER
37	0D3700	4	NUT FLANGE M6-1.0 NYLOK
38	0D2497	1	HANDLE
39	022532	4	SCREW HHC 5/16-18 X 2-1/2 G5
40	027028	6	NUT LOCK HEX 5/16-18 NYLON INSERT
41	0D2271	1	FRAME
42	052762	4	SCREW HHC M5-0.8 X 45 G8.8
43	051713	8	WASHER FLAT M5
44	049226	4	WASHER LOCK M5
45	051716	4	NUT HEX M5-0.8
46	050190	2	WASHER FLAT 1"
47	078299	1	BUSHING TANK DEXTOR
48	080270	1	VALVE, PLASTIC TANK
49	0D5142	1	AIR DEFLECTOR
50	096021	2	GROMMET .75 X .06 X .50
51	0G3662A	2	CLAMP, HOSE OETIKR STEPLSS 14.5
52	0F9176	18"	HOSE 1/4 ID
53	075763	1	BOOT BATTERY CABLE
54	075763A	1	BOOT STARTER CABLE
55	0E0318	2	SPACER, AXLE (15 kW)
56	030795	2	SCREW HHC 5/16"-18 X 1"

GROUP

EXPLODED VIEW:		FRAME		GENERAC POWER SYSTEMS	
DRAWN BY:	BEN KIELAS	DATE:	4/13/02	P.O. BOX 8 WAUKESHA, WIS. 53186	
CHECKED BY:	J. VRANAK	DATE:	4/24/02	FIRST USE:	00451-1
APPROVED BY:	C. TURNER	DATE:	4/24/02	PART NO.:	0E0695
RELEASED FOR PRODUCTION BY:	C. TURNER	DATE:	4/24/02	REV.:	D

**EXPLODED VIEW: ENGINE PARTS
DRAWING #: 0G2963**

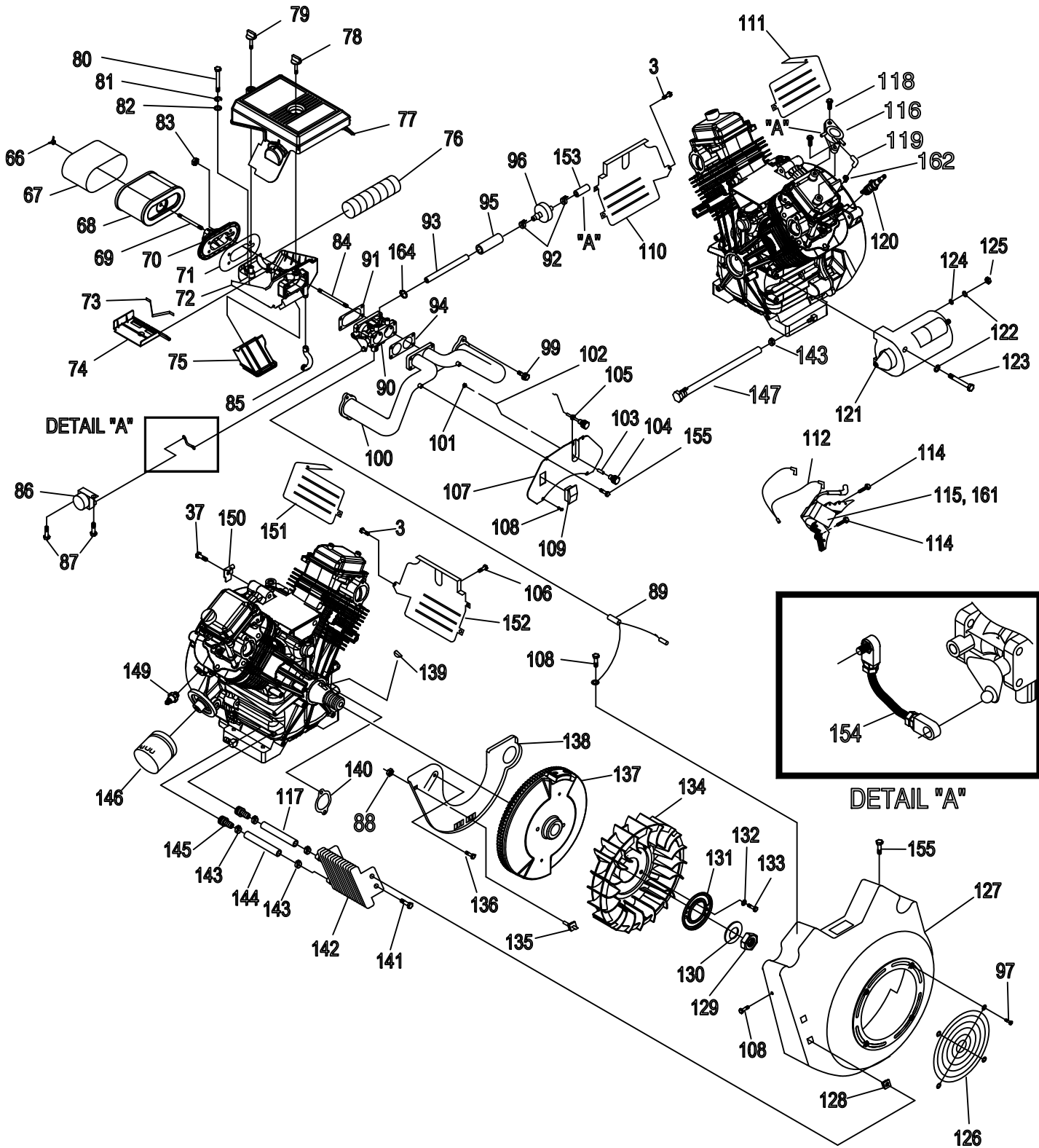
GROUP

**APPLICABLE TO: 045823,045831,049872,053081
057340,057350**

ITEM	PART #	QTY.	DESCRIPTION
1	0C5729	1	ASSY, CRANKCASE WITH SLEEVE
2	0E9843A	1	SEAL, 38 I.D. CRANKSHAFT GREEN
3	0G0919	5	SCREW, HHFCS M6-1.0 X 12 G8.8
4	0G9100	1	ASSEMBLY, BREATHER DUAL VALVE
5	0C3005	1	GASKET, BREATHER COVER
6	0E3372C	2	SEPARATOR, OIL BREATHER
7	0D8067A	1	ASSEMBLY, HEAD #1
8	071983	4	RETAINER, PISTON PIN 20
9	0G0693	1	ASSY, ROCKER COVER W/BARB
10			
11	0G2752	2	PISTON, DISH TOP DIA 90 COATED
12	0G2565	2	RING SET, PISTON TOP DIA 90
13	0E1466	2	PIN PISTON
14	0D4041	1	ASSEMBLY, CAMSHAFT & GEAR
15	043790A	1	BARBED ELBOW, 90 DEG. 3/8NPT X 3/8 VS
16	093064	1	ASSEMBLY, OIL FILL CAP
17	0C2977	1	GASKET, CRANK CASE
18	0C5943	1	SEAL, OIL PASSAGE
19	0E4357E	1	CRANKSHAFT AND GEAR GTH-990
20	0E3223	2	ASSEMBLY, CONNECTING ROD GT-990
21	0G6431	2	SCREW SHC SEMS M6-1.0 X 50 G8.8
22	0E6098	1	SCREEN, OIL PICKUP
23	0D4123B	1	ASSY, OIL PUMP GTH W/O O-RING
24	0E8152	1	O-RING, 0.49 ID X 0.07 THICK
25	0C3011	2	COVER, OIL RELIEF
26	0C3009	2	SPRING, OIL RELIEF
27	0C3010	2	BALL, 1/2D OIL RELIEF
28			
29	0F5458	1	SCREW, PLASTITE HI-LOW #10
30	0C5998	1	CLAMP, OIL TUBE
32	0F2664M	1	ASSEMBLY, DIPSTICK GTH-990 PORTABLE
33	0D3745	1	TUBE, DIPSTICK
34	0C3027	1	O-RING, 3/8 X 1/2
35	0E9842A	1	SEAL, 42 I.D. CRANKSHAFT GREEN
36	0F8054	1	GEARCOVER / ADAPTOR GTH990/760
37	0C3006	10	SCREW, HHFC M10-1.5 X 55
38	080318	8	SCREW HHFC M6-1.0 X 25
39	0G1839	2	LIFT HOOK, GT990/760
40	0D2723D	1	COVER, ROCKER W/OIL FILL "GENERAC" TEXT
41	0C2979	2	GASKET, VALVE COVER
42	086515	8	KEEPER, VALVE SPRING
43	0D2274	4	RETAINER, VALVE SPRING
44	0D3867	4	SPRING, VALVE
45	078672	2	SEAL, VALVE STEM D7
46	0C5371	4	WASHER, VALVE SPRING
47	072694	4	STUD, ROCKER ARM PIVOT
49	0D5313	4	ROCKER ARM
50	0D3998	4	NUT, HEX M8-1.0 GB YELLOW CHROM
51	0G8552	2	PLATE, PUSH ROD GUIDE
52	0C2976	12	SCREW HHFC M8-1.25 X 65
53	086516	2	VALVE, EXHAUST
54	0C2229	2	VALVE, INTAKE
55	083897	4	TAPPET, SOLID
56	0D8067B	1	ASSEMBLY, HEAD #2
57	0D9853D	4	PUSHROD 147
58	0C2978	2	GASKET, HEAD
165	0G8558	1	DIVERTER, BREATHER GTH

ITEM	PART #	QTY.	DESCRIPTION
-------------	---------------	-------------	--------------------

GROUP



**EXPLODED VIEW: ENGINE PARTS
DRAWING #: 0G2963**

GROUP

**APPLICABLE TO: 045823,045831,049872,053081
057340,057350**

ITEM	PART #	QTY.	DESCRIPTION
66	0D6592	1	WINGNUT, AIRBOX
67	0D4511	1	PRECLEANER, AIR
68	0D9723	1	ELEMENT, AIR CLEANER
69	0E5302	1	STUD M6-1.0 X 73
70	0D4183	1	ADAPTOR, SPIT BACK
71	0D6327	1	GASKET, SPITBACK
72	0D2774B	1	BASE, AIRBOX
73	0D5125	1	SPRING, WINTER/SUMMER VALVE
74	0D2930	1	VALVE, SUMMER / WINTER
75	0D4612A	1	SNORKEL, AIR INTAKE
76	0D6143	1	TUBE, HEAT RISER 50.8 I.D.
77	0D2775	1	COVER, AIRBOX
78	0D5014A	1	KNOB, AIRBOX 17mm
79	0D5014B	1	KNOB, AIRBOX 95MM
80	049721	1	SCREW HHC M6-1.0 X 35
81	022097	1	WASHER LOCK M6-1/4
82	022473	1	WASHER FLAT 1/4
83	0E8388	4	NUT, HEX FLANGE WHIZ M6-1.0
84	0D6021	4	STUD, METRIC
85	0C9093A	1	HOSE, BREATHER
86	0G6454	1	ASSY,CONTROLLER, GTH990 PORTABLE
87	074908	2	SCREW HHTT M5-0.8 X 10
88	082025	1	NUT, HEX LOCK M5-0.8 ZINC
89	0E3398	1	ASSEMBLY, WIRE
90	0G4612	1	CARBURETOR, H990 W/BALL STUD
91	0D4026	1	GASKET, CARB TO SPACER (GT-990)
92	048031C	3	CLAMP HOSE BAND 1/4
93	0F9176C	1	HOSE 1/4 ID SAE 30R7 GREENBAR 9" PRE-CUT
94	0G0510	1	GASKET, MANIFOLD TO CARBURETOR
95	084409D	1	SLEEVEING, FLEVO HW 3/4 3"
96	0D6313	1	FILTER, FUEL
97	045756	4	SCREW, HHTT M6-1 x 10 LONG
98	082025	1	NUT, HEX LOCK M5-0.8 ZINC
99	0G3730B	4	SCREW, SHC M8-1.25 x 25 LG SEMS
100	0C9911	1	MANIFOLD, INTAKE
101	051714	1	NUT HEX M3-0.5
102	0D5411	1	ROD, SUMMER / WINTER VALVE
103	0D5445	1	BUSHING, MINI CONTROL PANEL
104	0D5416	1	KNOB, CONTROL SUMMER / WINTER, BLACK
105	0D5398	1	CHOKE ASSEMBLY
106	0E6043	2	SCREW TAPTITE M5-0.8 X 8 ZP
107	0D3432	1	PANEL, CONTROL FACE PLATE
108	090388	18	SCREW TAPTITE M6-1.0X 12 CLEAR ZINC
109	0D4767	1	SWITCH ROCKER
110	0D1142A	1	WRAPPER, LOWER CYLINDER 2
111	0D1143	1	WRAPPER, UPPER CYLINDER 2
112	0F1177	1	ASSEMBLY, GROUND WIRE
113			
114	0G3110	4	SCREW TAPTITE M6-1.0 X 20 ZINC
115	0G3224B	1	ASSY, IGN COIL W/DIODE NO ADV
116	0F6263	1	PUMP, IMPULSE
117	0F0452D	1	HOSE 3/8" 300PSI 6.5" LG OIL
118	0G0926	2	SCREW, HHFCS M6-1.0 X 16 G8.8
119	0G0832	1	ELBOW, RUBBER 90 DEG. GASOLINE
120	0E7585A	2	SPARKPLUG, CHAMPION RC14YC
121	0E9323	1	STARTER MOTOR GEAR REDUCED
122	022129	3	WASHER LOCK M8-5/16
123	061906	2	SCREW HHC M8-1.25 X 85 G8.8
124	022145	1	WASHER, FLAT M8
125	0F5467	1	NUT, HEX M8-1.25 YELLOW ZINC
126	0D1131	1	GUARD,FAN

ITEM	PART #	QTY.	DESCRIPTION
127	0F1169B	1	HOUSING, BLOWER GAS COOLER
128	0C9763	4	NUT, GROMMET 1/4 PLUG
129	0C3034	1	NUT,HEX M24
130	0C3033	1	WASHER, M24
131	0C3032	1	PLATE, FAN
132	0A5992	2	WASHER SHAKEPROOF INT M8 SS
133	051754	2	SCREW HHC M8-1.25 X 12 G8.8
134	0C3031	1	FAN, NYLON
135	0E4997	1	ASSY,GROUND WIRE CONNECTOR
136	045756	4	SCREW TAPTITE M6-1X10 YELLOW CHROME
137	0C3725A	1	FLYWHEEL ASSEMBLY
138	0G4928A	1	PLATE, BACKING GT990 W/OIL COOL ZINC
139	082774	1	KEY, WOODRFF 4 X 19D
140	0C3043	2	GASKET, MANIFOLD / PORT
141	0C9764	4	PLASTITE,1/4-15 X 3/4
142	0E9506	1	COOLER, OIL
143	0G3662B	5	CLAMP, HOSE OETIKER STEPLESS 18.5mm
144	0F0452C	1	HOSE 3/8" 300PSI 6.5" LG OIL
145	035461	2	BARBED STR 1/4NPT X 3/8
146	070185F	1	OIL FILTER, 90mm w/LOGO
147	0G4403	1	ASSEMBLY, OIL DRAIN HOSE
149	0C3025	1	SWITCH, OIL PRESS
150	0G2363	1	BRACKET, AIRBOX SUPPORT
151	0C3018	1	WRAPPER, UPPER CYLINDER 1
152	0C3019	1	WRAPPER, LOWER CYLINDER 1
153	0F9176H	1	HOSE, 1/4" SAE 30R7 GREENBAR
154	0E0409	1	ASSY, ROD, GOV. STEPPER MOTOR
155	0C8563	6	SCREW HHHC M6-1.0 X12
157	0D9784	1	NUT, LOCK HEX M3-0.5 (GT-990)
160	0D6147	5	SCREW HHFC M6-1.0 X 10mm
161	0G3224A	1	ASSY, IGN COIL W/DIODE NO ADV
162	048031G	1	CLAMP, HOSE BAND GREEN
163	0D6342	1	BALL STUD, 10mm
164	040173	1	CLAMP, HOSE WORM GEAR